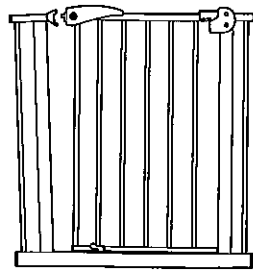


BabySafe® GATE INSTRUCTION LEAFLET

Thank you for select our products. Please read the instruction carefully before setting up the gate, and keep it properly for future reference.

ALL PARTS



Gate



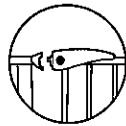
X 4

4 Width-adjusters

Steps to use wall-cup:



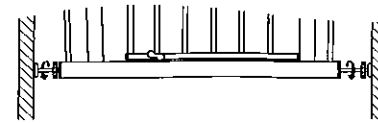
1. Tear off the two face sticker
2. One side stick on the white cup
3. The other side stick on the place/wall where you want to install this gate



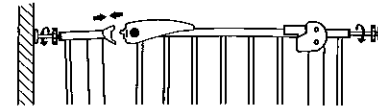
Note:

The lock is apart when you open the carton, it is normal. Please screw the 4 width-adjusters when the lock is closed.

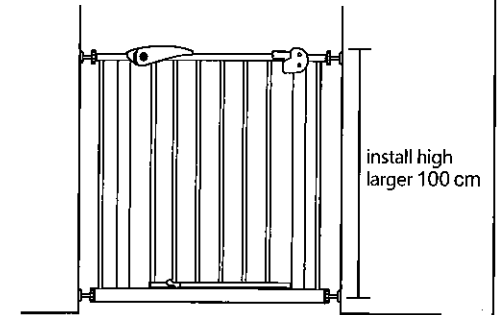
3. Screw the bottom adjusters, let the gate stand vertical.



4. Screw the top adjusters, let the lock close smoothly.



5. Check the 4 adjusters, make sure the gate is setting up firmly.

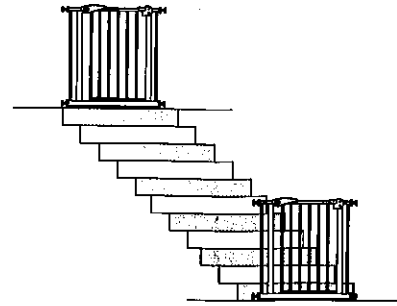


SUITABLE FOR INSTALLATION PLACES

This product is suitable for indoor places, such as bedroom, kitchen, stairs, hallways etc.

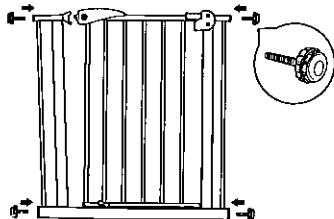
Note:

1. This gate is suitable to install between 80 to 90cm wide. If you need to set up at a wider place please use the extension parts. (read at the back)
2. Please make sure the set up surface is flat, strong and stable.
3. Please make sure the set up surface is larger than 3cm.

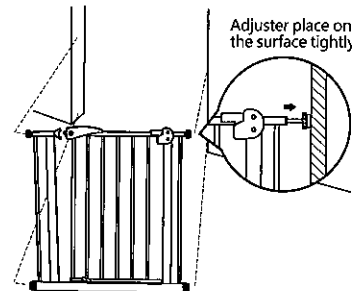


GATE INSTALLATION INSTRUCTION

1. Put the 4 width-adjusters in to the gate side (top and bottom).

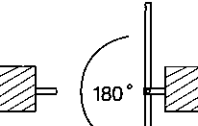
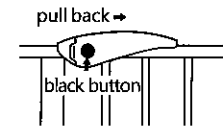


2. Put the gate at where you want to install, place the rubber on the surface (width larger than 3cm).

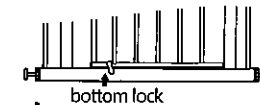


GATE USAGE INSTRUCTION

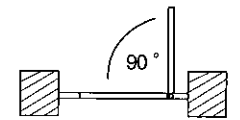
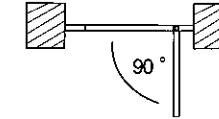
Way of open: Press the two black buttons and pull back at the same time.



open space 180°



turn one side of the bottom lock, can let the gate be one side open.

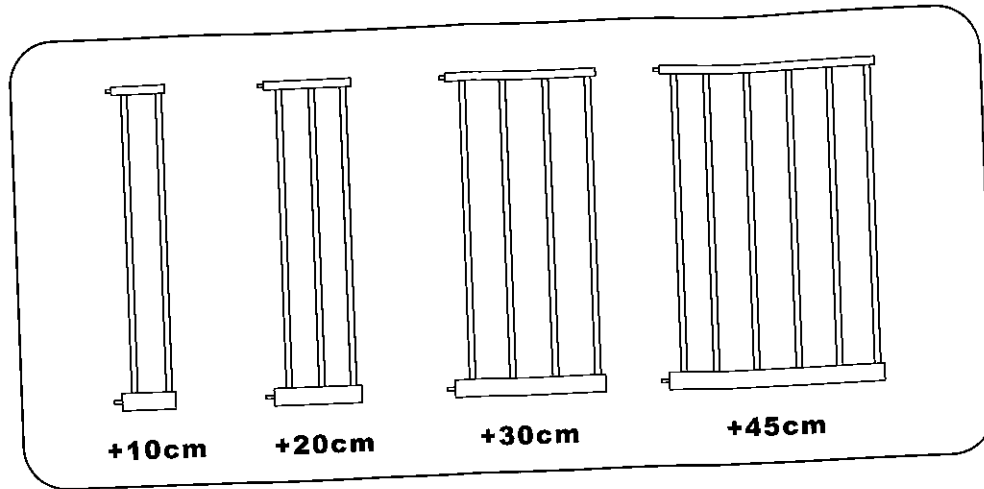


WARNINGS:

- Please read the instruction carefully before setting up the gate, prevent any danger.
- Please install the gate at a flat surface in order to prevent any danger. As the rubber of the adjuster will have a strong force with the surface.
- Do not install the gate into the window, prevent any danger.
- This product is provide family usage only.

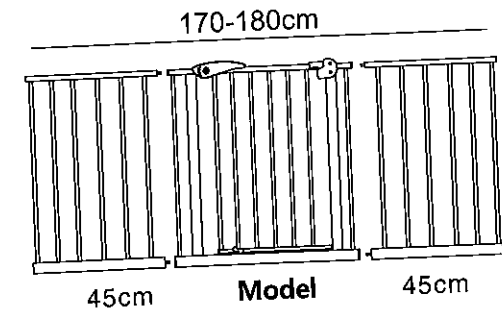
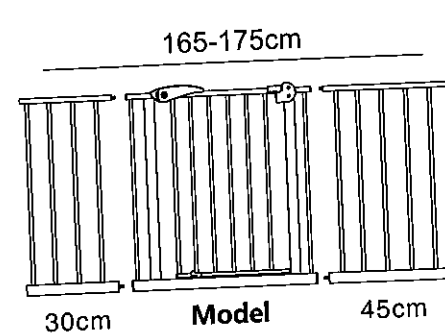
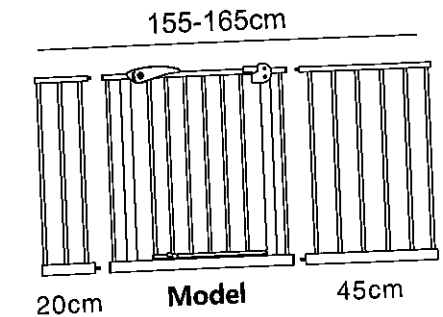
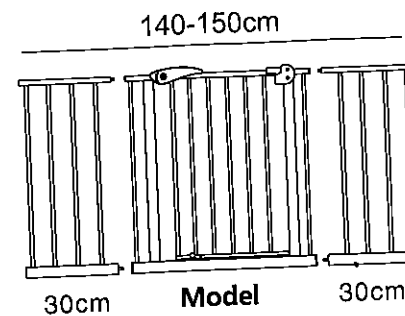
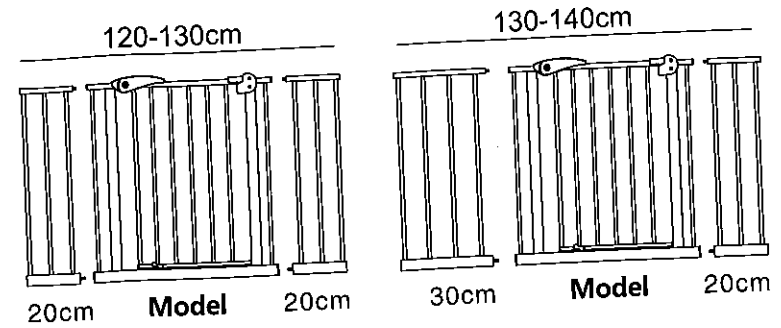
SAFETY GATE EXTENSION PARTS

(Apply when the width is longer than 90 cm)



COMBINATION		ADJUST WIDTH
GATE MODEL	EXTENSION PART	
Model	N/A	80-90cm
Model	10cm	90-100cm
Model	20cm	100-110cm
Model	30cm	110-120cm
Model	20cm+20cm	120-130cm
Model	45cm	125-135cm
Model	20cm+30cm	130-140cm
Model	45cm+10cm	135-145cm
Model	30cm+30cm	140-150cm
Model	45cm+20cm	155-165cm
Model	45cm+30cm	165-175cm
Model	45cm+45cm	170-180cm

FOR SAFETY USAGE, EVERY GATE CAN INSTALL WITH NO MORE THAN TWO EXTENSION PARTS.



Distributed by Baby Factory
58 Stonedon Dr East Tamaki Auckland 2013