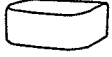





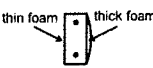



ASSEMBLY INSTRUCTIONS

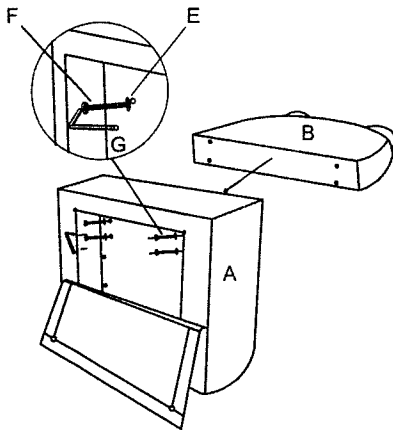
ITEM NO:4018515

Parts required

Part	Part Description	Picture	Quantity	Part	Part Description	Picture	Quantity
A	Seat		1PC	D	Plastic Legs		4PCS
B	Backrest		1PC	E	Washers		8PCS
C	Armrest		2PCS	F	Screws		8PCS
		Attention for the armrest assembly! The thick foam side is inside, the thin foam side is outside.		G	Wrench		1PC

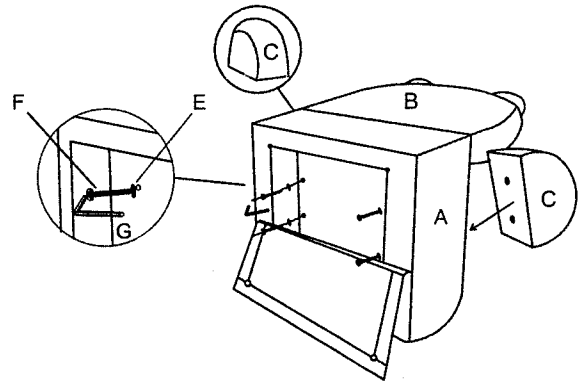
Step 1:

Open the Seat bottom (A), attach the Backrest (B) onto the Seat(A), then tighten them with washer(E) and screws (F)by wrench (G)



Step 2:

Attach the Armrests (C) onto the Seat (A), then tighten them with washers (E)and screws (F)by wrench (G)



Step 3:

Fasten the plastic leg (D) to the assembled sofa body completely

