

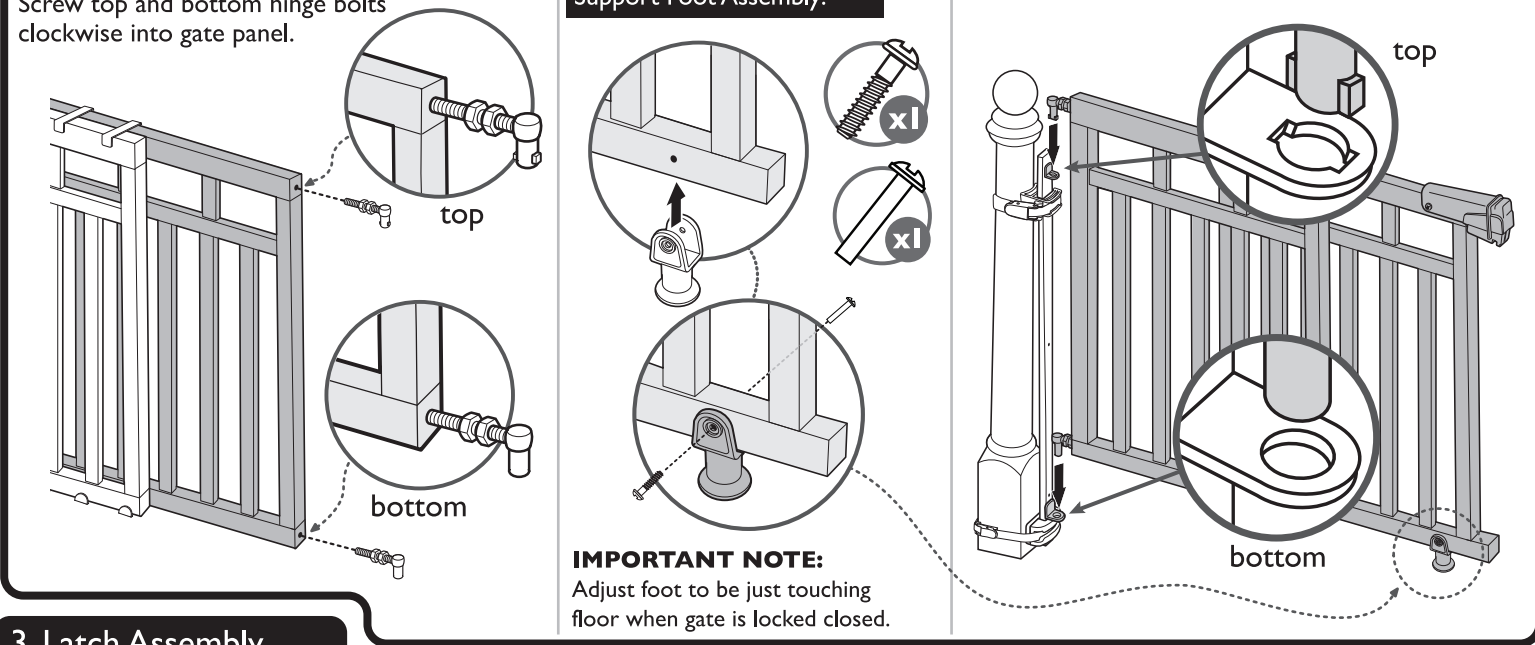


BANISTER & STAIR WOOD GATE WITH DUAL INSTALLATION KIT INSTRUCTION MANUAL

2. Gate Assembly

Screw top and bottom hinge bolts clockwise into gate panel.

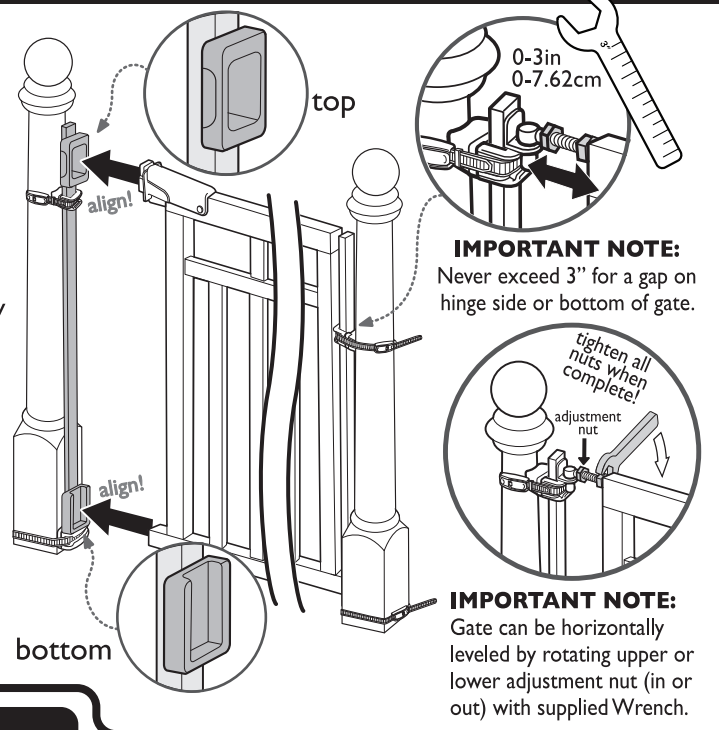
Support Foot Assembly:



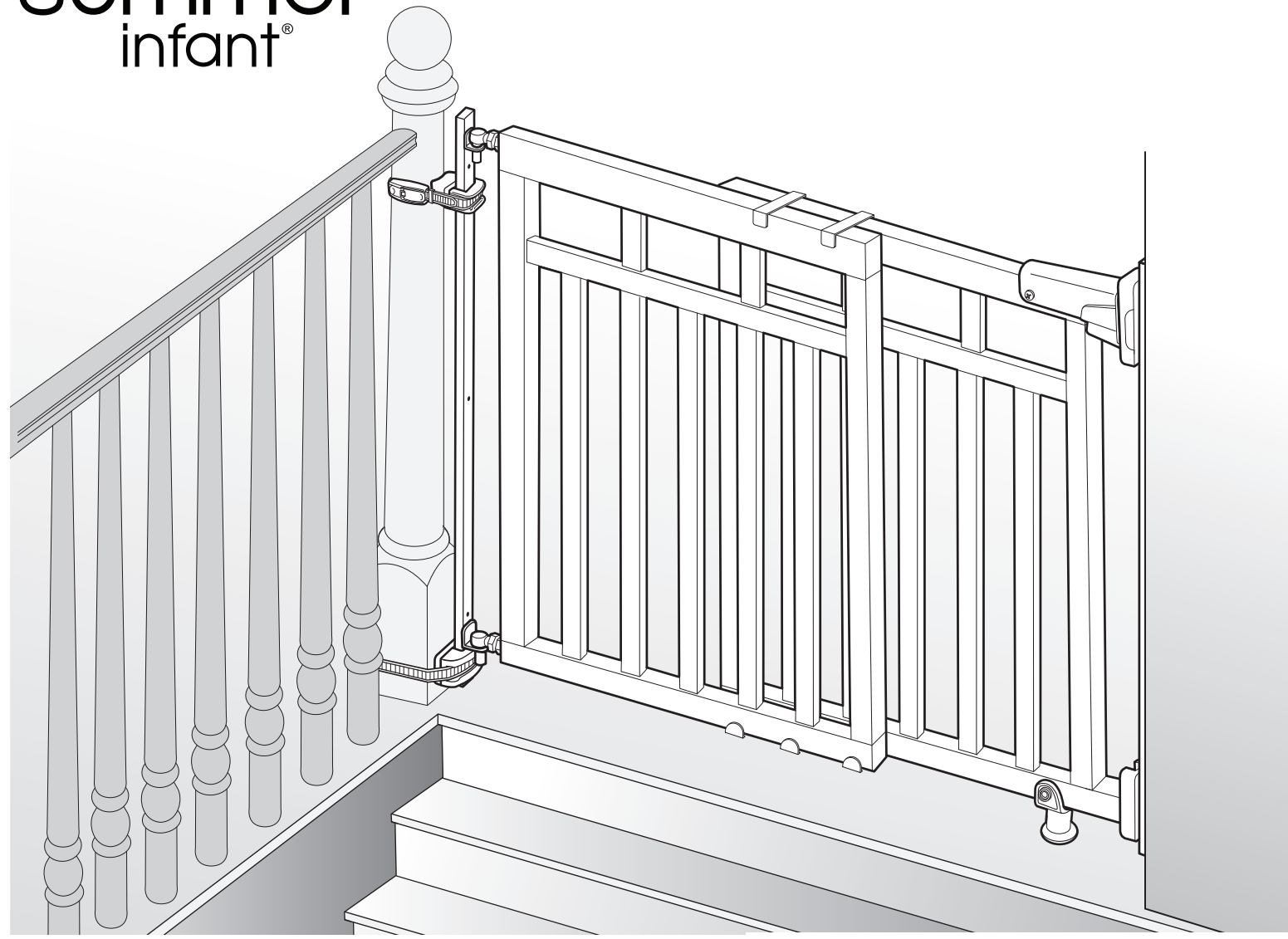
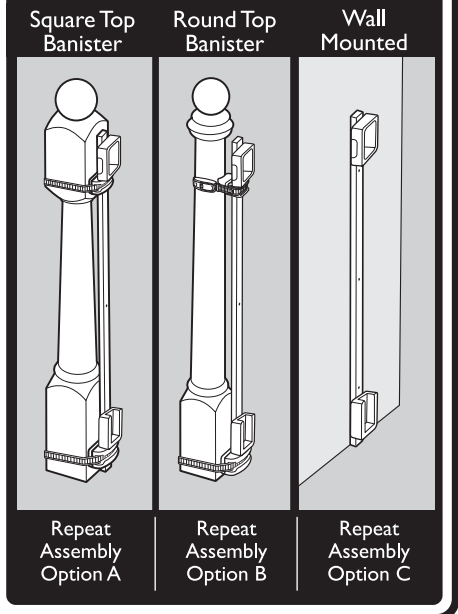
3. Latch Assembly

SAFETY WARNING: If installing gate at top of stairs, DO NOT mount into wallboard.

IMPORTANT NOTE: When mounting into any wood (molding), a pre-drilled hole is required. Pre-drill a hole in the wood, using an 1/8" or 3mm drill bit approximately 1 inch deep.

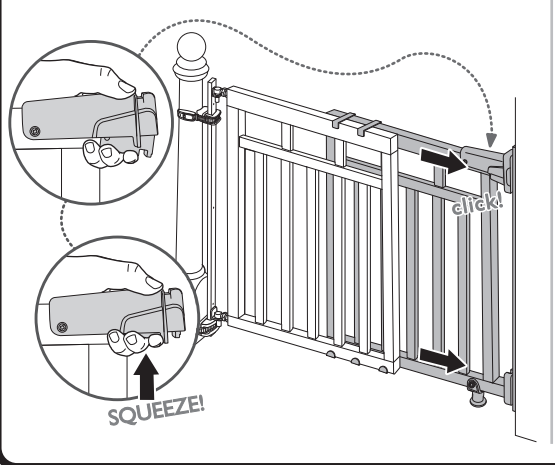


Latch Assembly is identical to Hinge Assembly. Choose which of the three options best fits your needs.

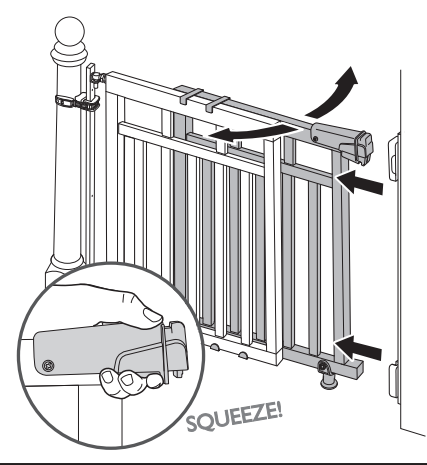


Operating Instructions

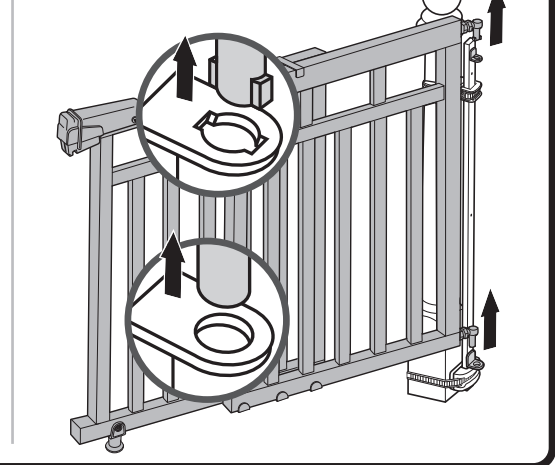
CLOSING THE GATE:



OPENING THE GATE:



REMOVING THE GATE:



WARNING: IMPORTANT! KEEP FOR FUTURE REFERENCE!

- Children have died or been seriously injured when gate is not securely installed. ALWAYS install and use gate as directed using all required parts. Install according to manufacturer's instructions.
- STOP using when a child can climb over or dislodge the gate.
- Use only with the locking/latching mechanism securely engaged.
- NEVER use to keep child away from pool.
- NEVER leave child unattended.
- Always close and lock the gate behind you.
- This product will not necessarily prevent all accidents.
- Do not use if any components are missing or damaged.
- Adult assembly required. Exercise care when unpacking and assembling product.

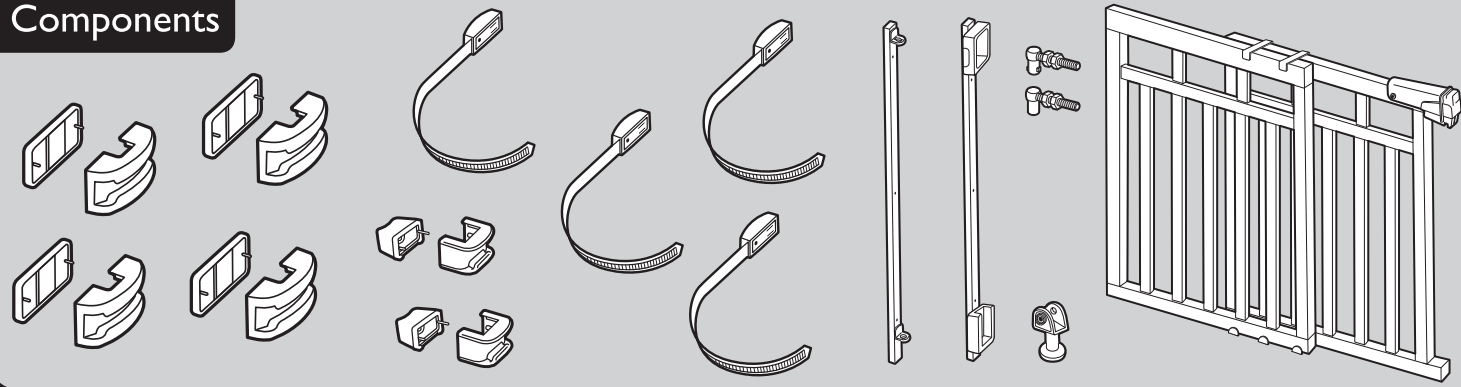
CAUTION: KEEP SMALL PARTS OUT OF CHILD'S REACH. IMPORTANT – Read the instructions carefully before use and keep them for future reference.

Please read the following instructions and warnings carefully.
For technical support call 1-800-268-6237 or e-mail at customerservice@summerinfant.com
For use with children from 6 - 24 months.
Keep small parts away from children.
Please retain information for future reference. Colors and styles may vary.
MADE IN CHINA.

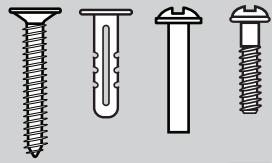
Summer Infant, Inc.
1275 Park East Drive
Woonsocket, RI 02895 USA
1-800-268-6237

© 2017 Summer Infant, Inc.

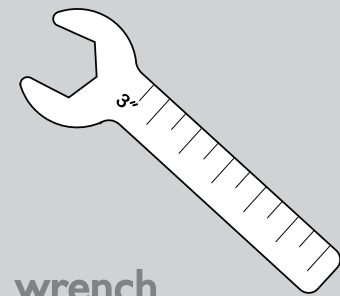
Components



Hardware



x6 x6 x1 x1



wrench

Tools required (not included): Drill with 7/32 drill bit, two Phillips Head screwdrivers.

Tools required (not included)

Phillips head Screwdriver

WALL MOUNT OPTION ONLY: Drill with 7/32" drill bit

WOOD MOUNT OPTION ONLY: Pre-drill with 1/8" drill bit

Maintenance

1. Regularly check spindle lock nuts and banister bracket assembly to ensure the gate is securely in place.
2. Do not use gate if any components are damaged or missing.
3. Wipe surface with a damp cloth or sponge using mild detergent and warm water.

Gate fits openings 32" to 48" (81cm to 122 cm) !

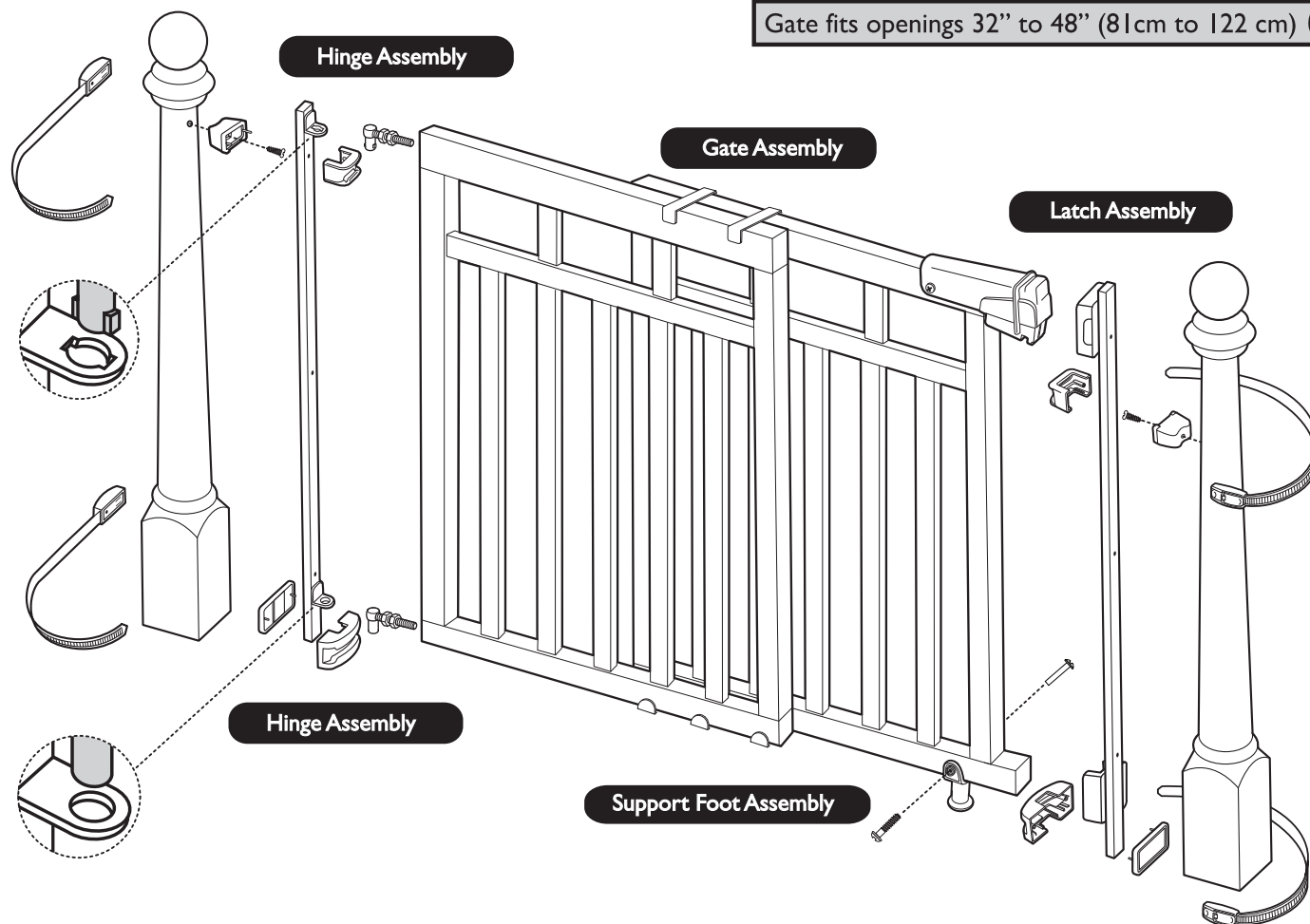


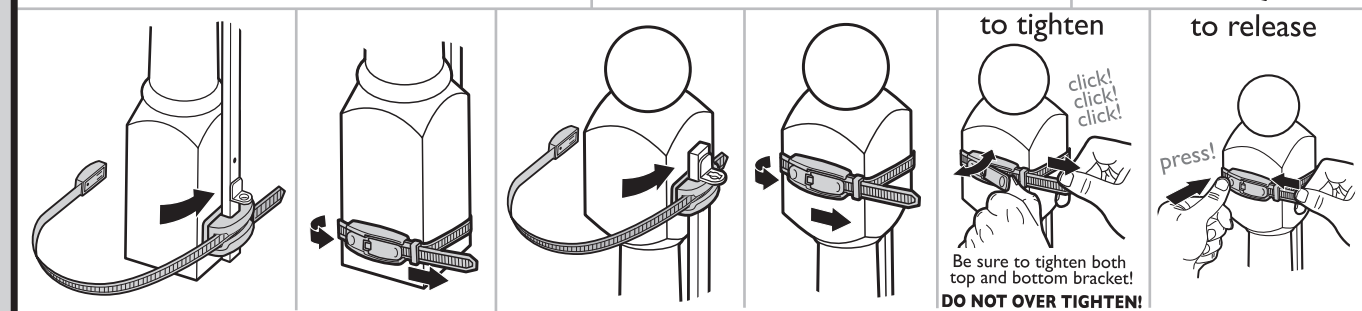
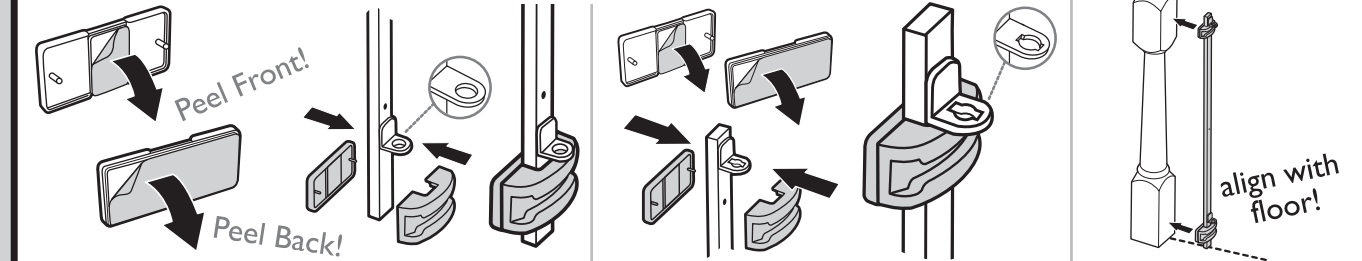
Image represents dual round top banister assembly.

I. Hinge Assembly

CHOOSE WHICH OF THE THREE OPTIONS WITHIN THE HINGE ASSEMBLY SECTION BEST FITS YOUR NEEDS.

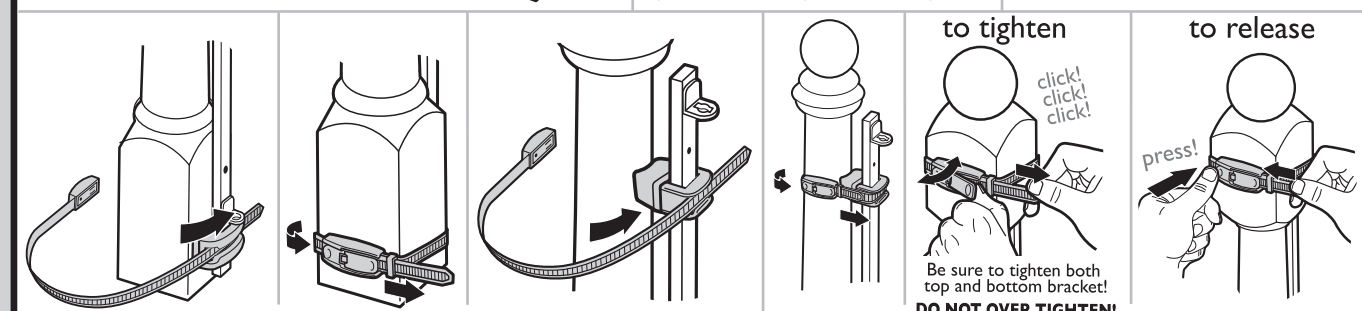
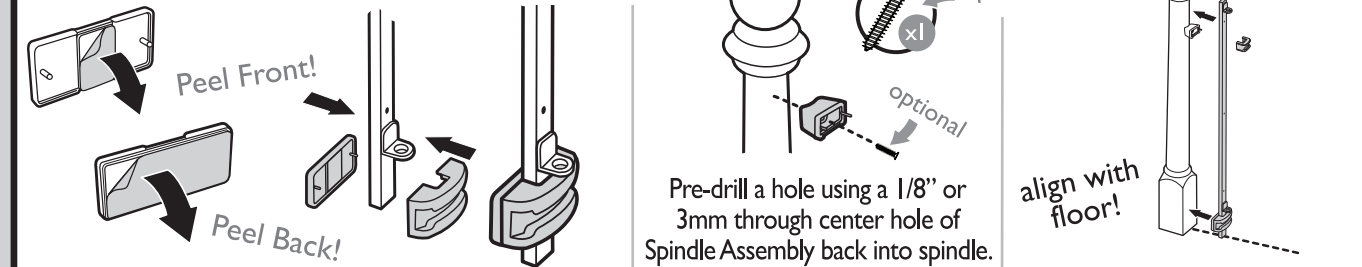
Option A:

Square Top Banister (No drilling necessary)



Option B:

Round Top Banister (Drilling optional)



Option C:

Wall Mount

