

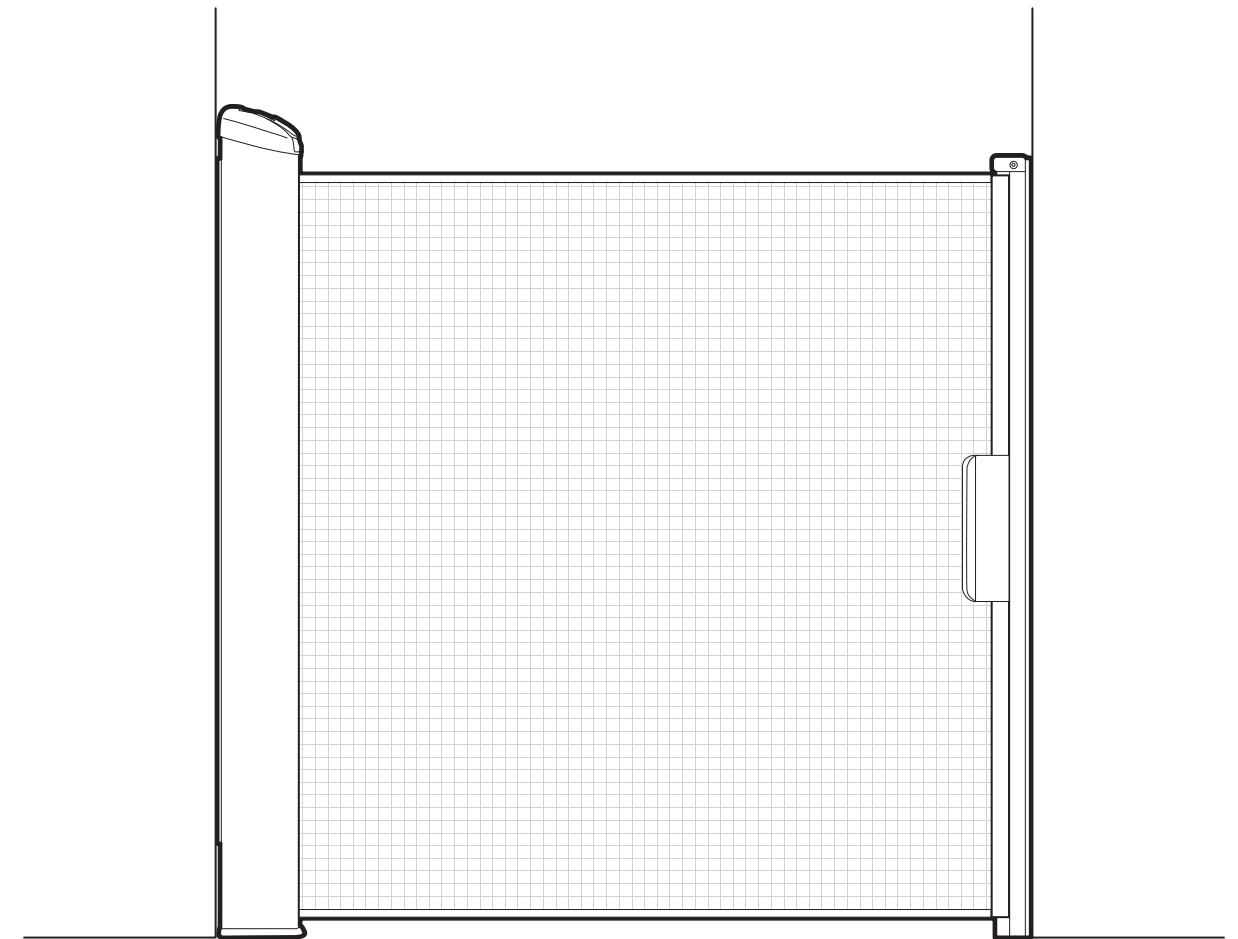
Please read the following instructions carefully.
Keep this instruction manual for future reference.
For technical support, contact us at **1-401-671-6551**
or **www.summerinfant.com/contact**

For use with children from 6 - 24 months.

Keep small parts away from children.

Adult assembly required.

Fits openings up to 50 inches wide.



Retractable Walk-Thru Gate

INSTRUCTION MANUAL

This helpful gate allows you to create and maintain a secure environment between rooms and stairways for your child or pet. Installs quickly and removes just as easily!



We're here to help! If you have questions or need assistance,
please contact our Consumer Relations Team at **1-401-671-6551** or **www.summerinfant.com/contact**

Summer Infant (USA), Inc.
1275 Park East Drive
Woonsocket, RI 02895 USA
1-401-671-6551
© 2018 Summer Infant (USA), Inc.

Please retain information
for future reference.
Colors and styles may vary.
MADE IN CHINA.
12/18

⚠ WARNING

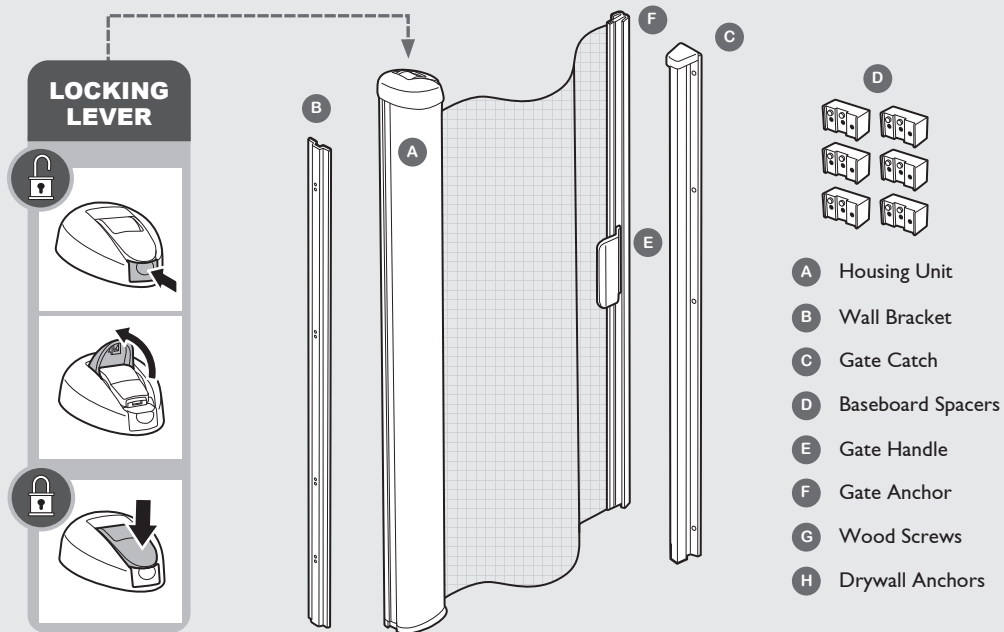
Children have died or been seriously injured when gates are not securely installed.

- **ALWAYS** install and use gate as directed, using all required parts.
- Install according to manufacturer's instructions.
- **STOP** using when a child can climb over or dislodge the gate.
- Use only with the locking/latching mechanism securely engaged.
- To prevent falls, never use at top of stairs with the handle installed on the stair side of the gate.
- Always install handle on the landing side of the gate.
- If the gate is to be used at the bottom of the stairs to prevent the child from climbing up the stairs, it must be placed on the floor in front of the lowest stair.
- If the gate is to be used at the top of the stairs to prevent the child from falling down the stairs, it must not be placed on any stair below the level of the top stair.
- At the top of the landing, position the gate 6 inches (15 cm) away from the top step.
- **NEVER** use a gate to keep child away from pool.
- **ALWAYS** install wall bracket and gate latch flat to the floor.
- **NEVER** leave child unattended.
- Always close and lock the gate behind you.
- This product will not necessarily prevent all accidents.
- **ALWAYS** check regularly to ensure gate and locking systems are secure.
- Intended for use with children from 6 months to 24 months.
- Do not use if any components are missing or damaged.
- Adult assembly required. Exercise care when unpacking and assembling product.

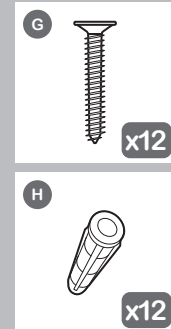
⚠ WARNING FALL HAZARD

- NEVER allow child near gate until it is locked and secure.
- Mesh gate is locked and secure when locking lever is pressed down and gate anchor is fully inserted in gate catch.

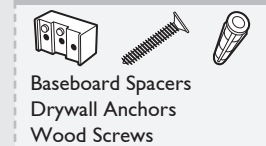
components:



hardware:



Replacement Parts Available
Kit #33010-10



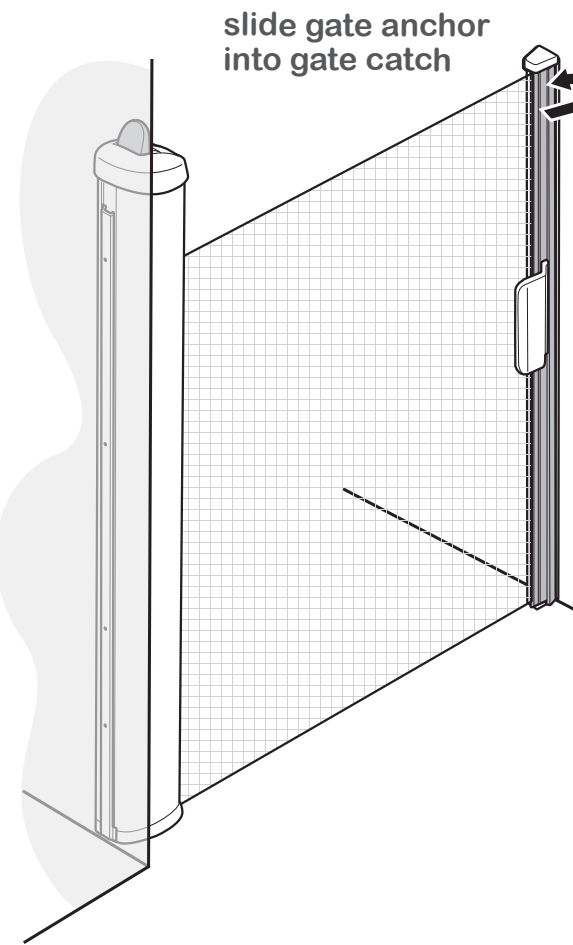
installation:

1

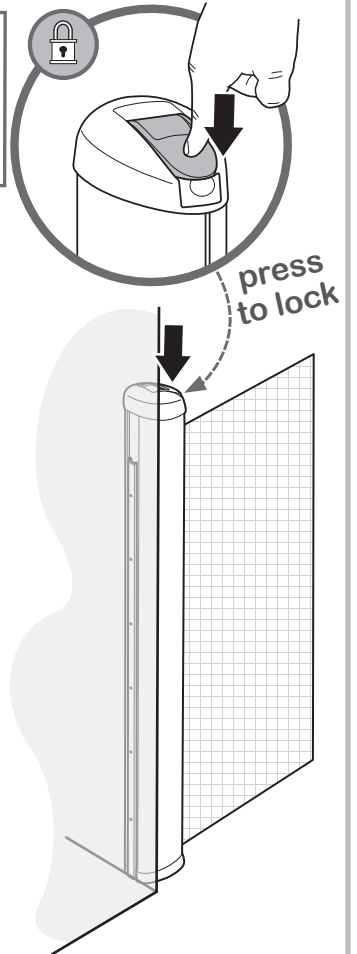
slide wall bracket out



locking the gate:



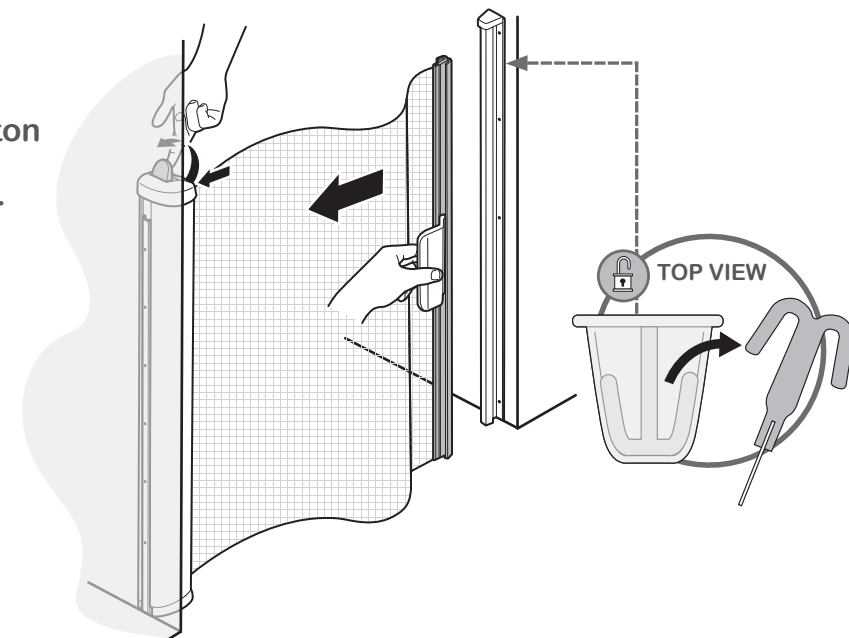
! IMPORTANT:
Gate is locked when lever is pressed down and clicks into blue button.



! Important: Make sure gate anchor is fully engaged in the gate catch.

releasing and retracting the gate:

Push blue button and lift lever to unlock gate.
Use handle to release and retract gate panel.
Guide gate panel back into housing unit.

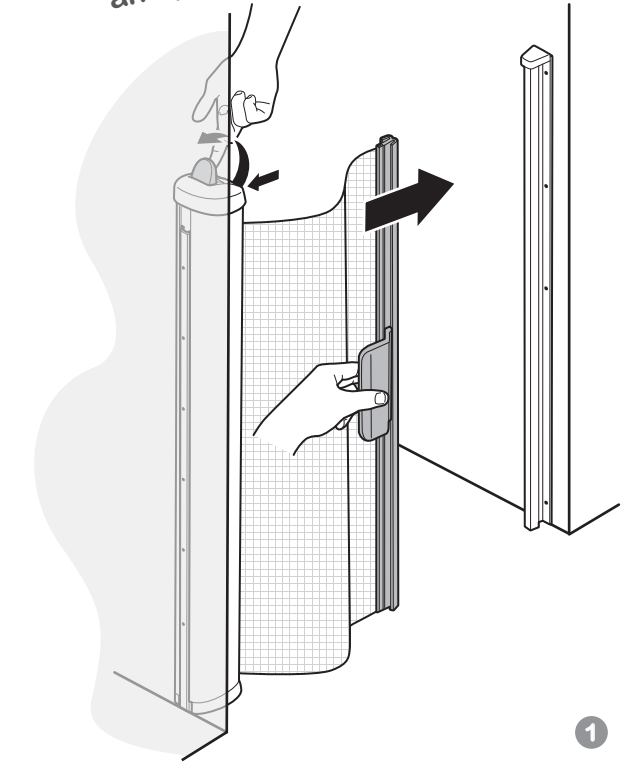


maintenance:

- Check all hardware to ensure gate is securely in place.
- Do not use gate if any of the components are damaged or missing.
- Surface clean with a damp cloth or sponge, using mild detergent and warm water to clean. Towel dry.

placement of the gate handle:

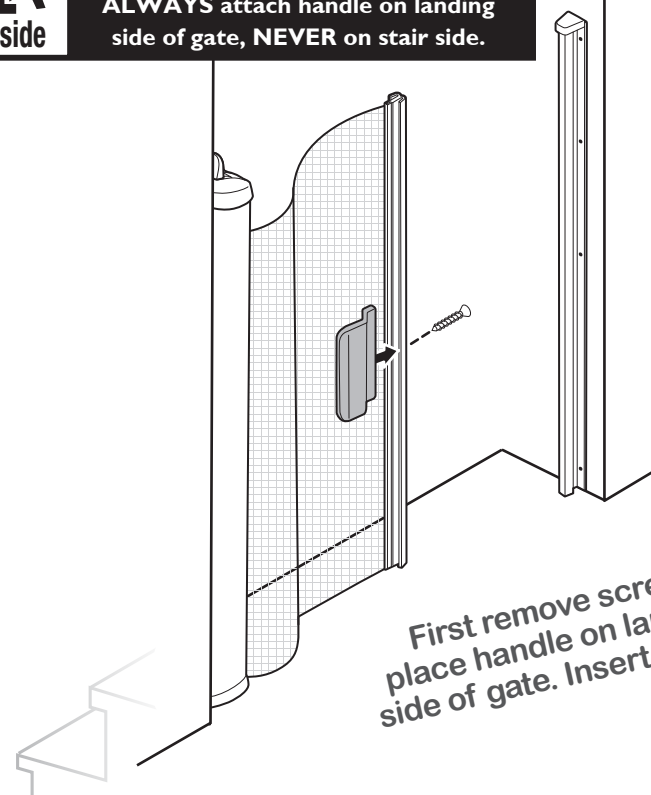
To unlock gate, press blue release button, then lift lever and pull gate out.



1



IMPORTANT!
FOR STAIRWAY INSTALLATION:
ALWAYS attach handle on landing
side of gate, NEVER on stair side.

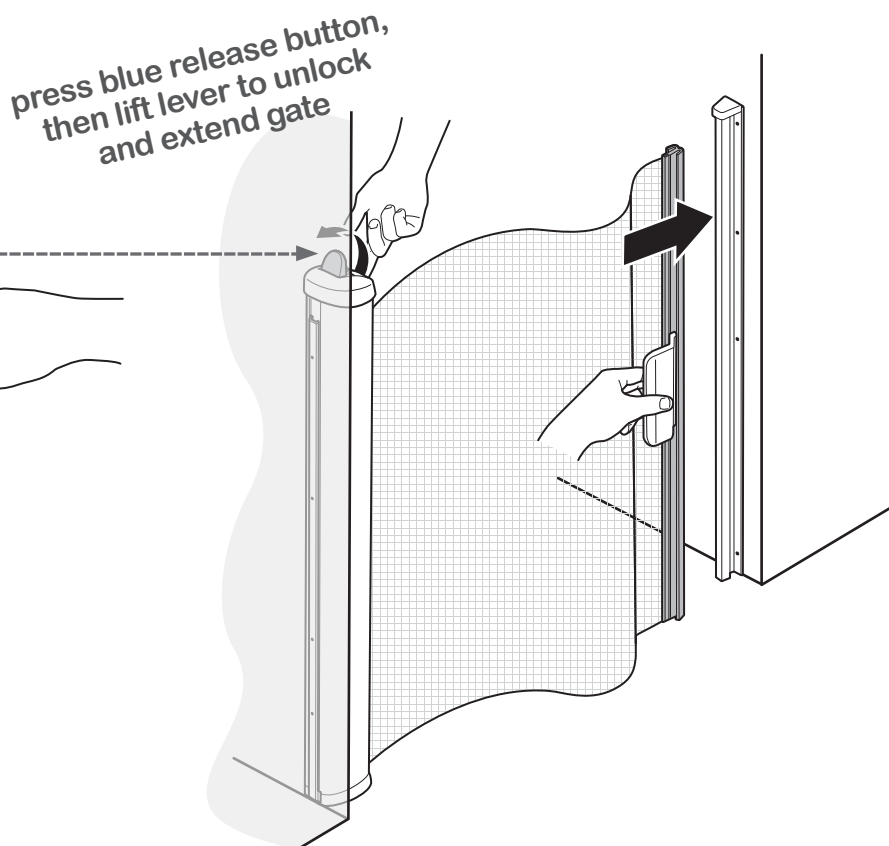
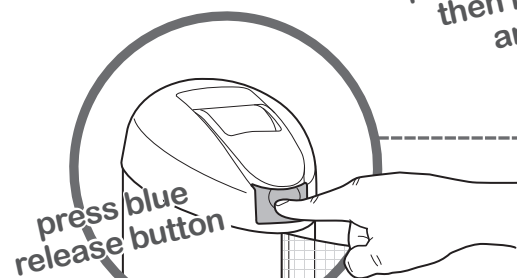


First remove screw,
place handle on landing
side of gate. Insert screw.

2

extending the gate panel:

press blue release button,
then lift lever to unlock
and extend gate

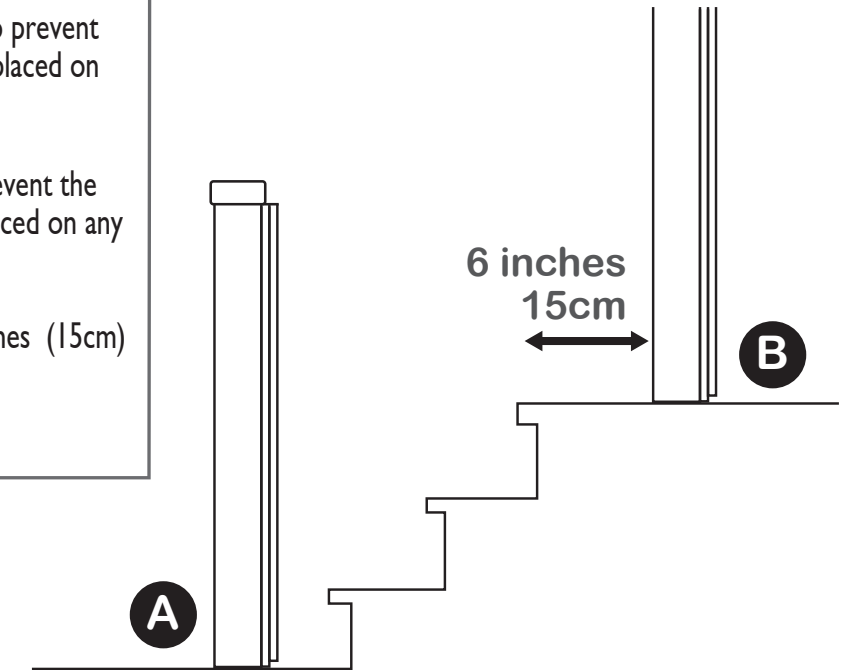


6

for stairway installation:

! IMPORTANT:

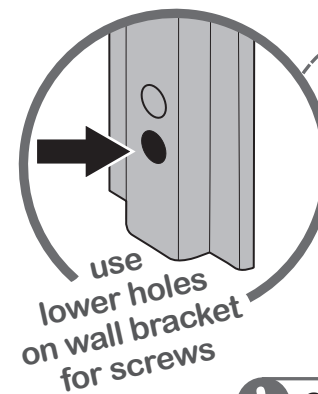
- If the gate is used at the bottom of the stairs to prevent the child from climbing up the stairs, it must be placed on the floor in front of the lowest stair. (figure A)
 - If the gate is used at the top of the stairs to prevent the child from accessing the stairs, it must not be placed on any stair below the level of the top stair.
- At the top of the landing, position the gate 6 inches (15cm) away from the top step. (figure B)



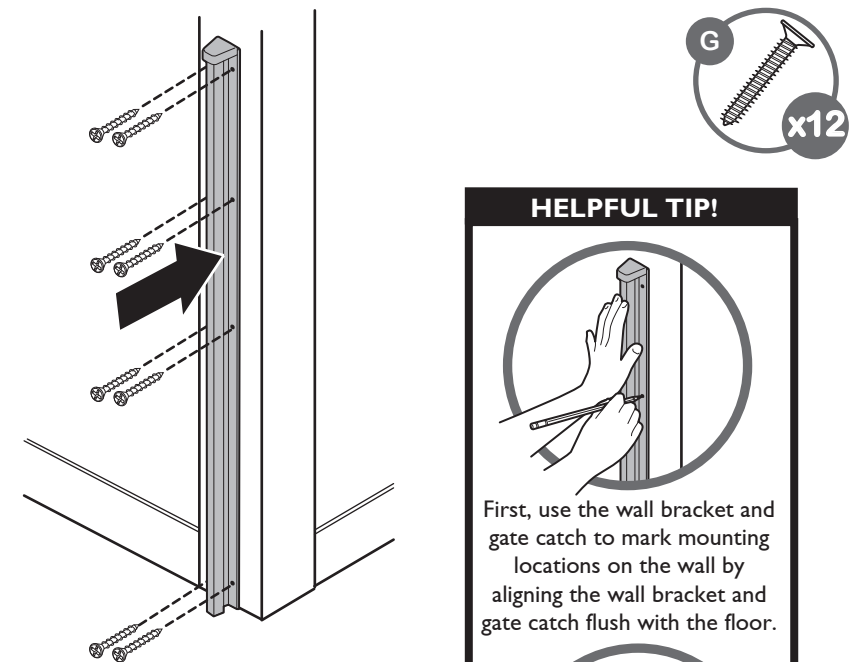
installation - choose your mount method: A, B, or C



using the
wood screws,
attach the wall bracket
and gate catch to
opposing walls

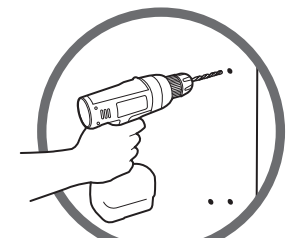


use
lower holes
on wall bracket
for screws



HELPFUL TIP!

First, use the wall bracket and gate catch to mark mounting locations on the wall by aligning the wall bracket and gate catch flush with the floor.



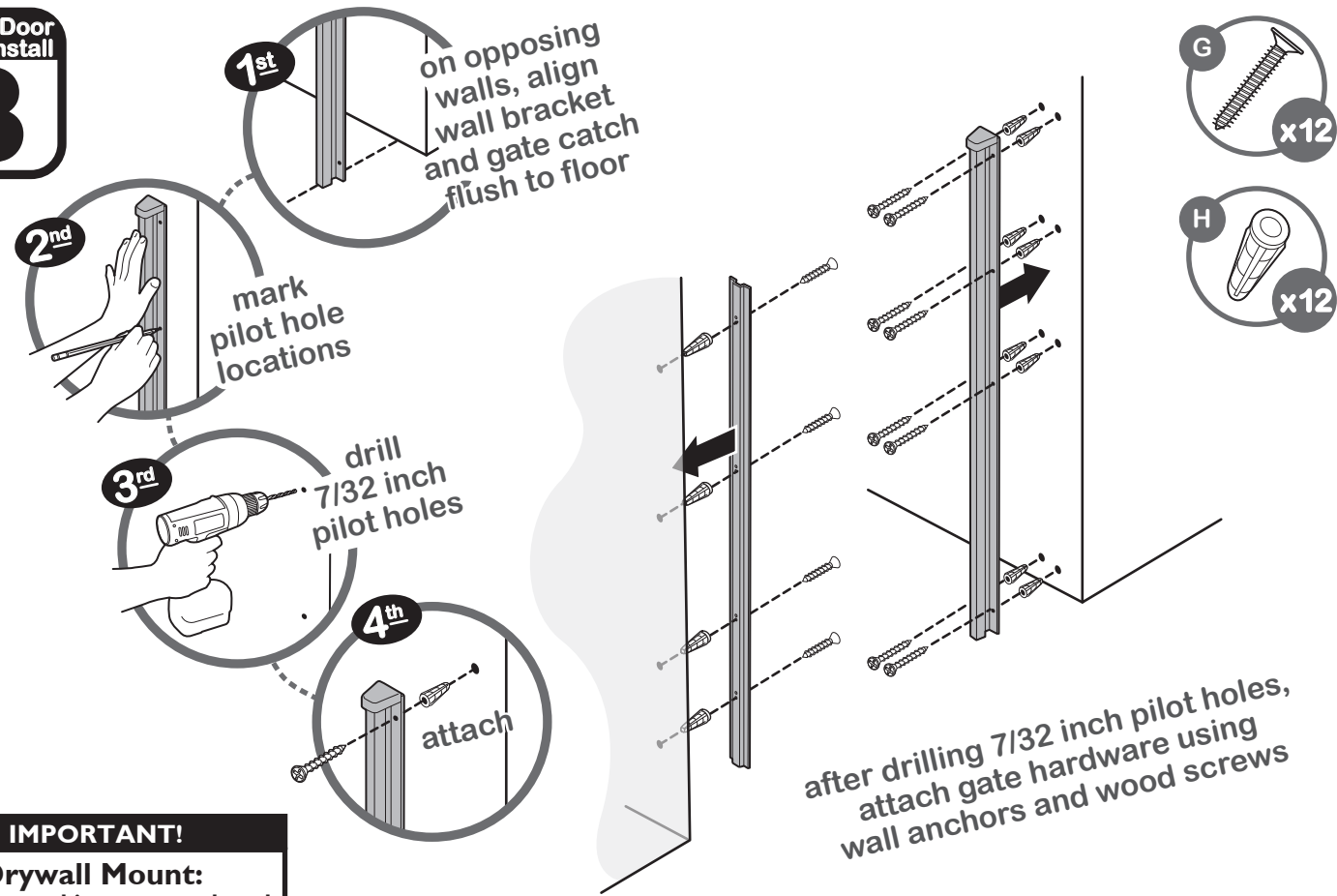
Then, using a 1/8 inch drill bit, drill pilot holes and mount gate hardware.

! Once complete, continue to housing unit installation on page 5!

3

installation- choose your mount method (continued):

Drywall Door Frame Install
B



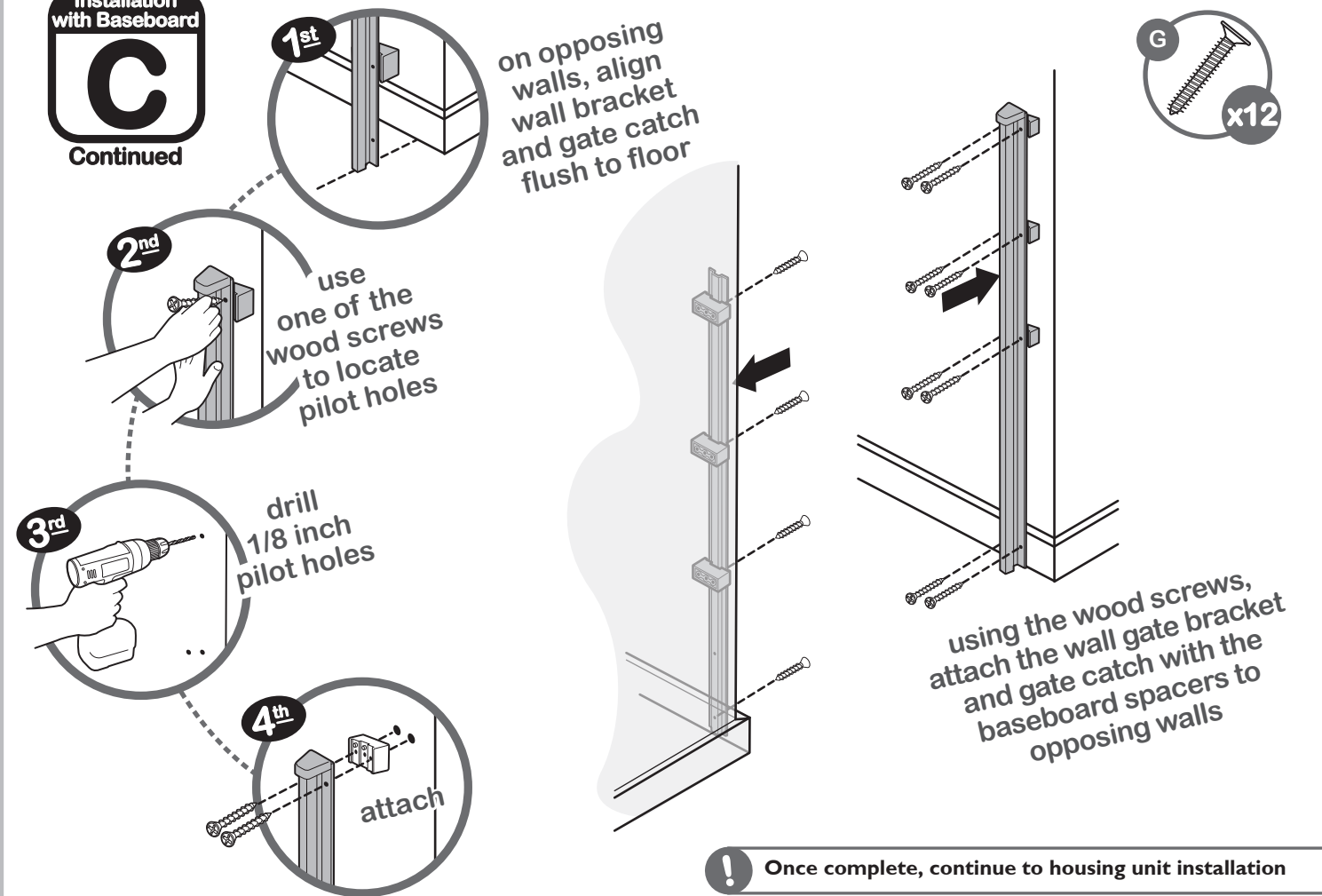
IMPORTANT!

Drywall Mount:
When attaching gate catch and wall bracket into drywall, wall anchors are needed.

! Once complete, continue to housing unit installation on page 5!

installation- choose your mount method (continued):

Installation with Baseboard
C
Continued



! Once complete, continue to housing unit installation

housing unit installation:

Installation with Baseboard
C

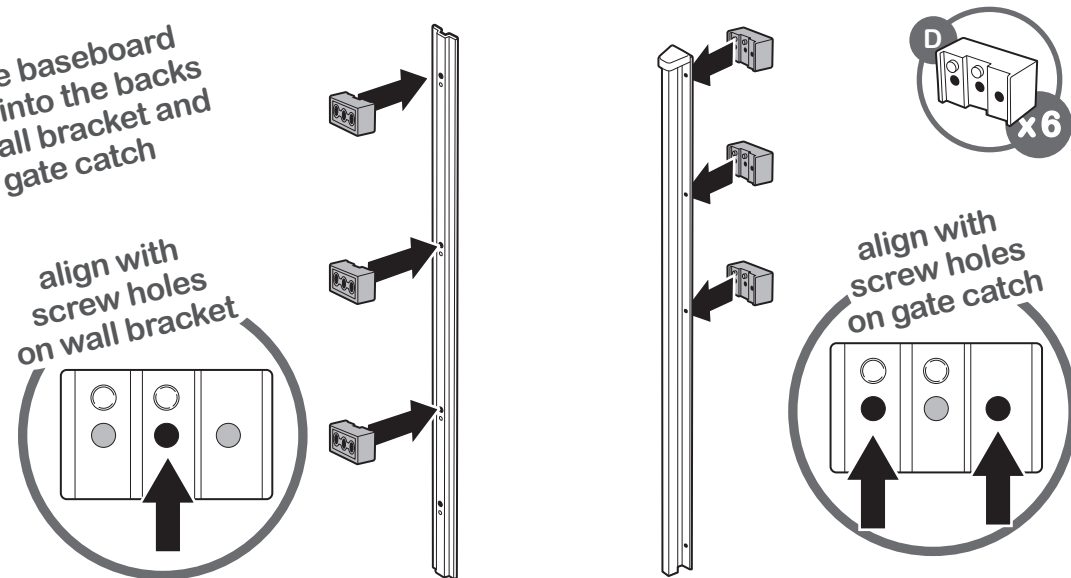
snap the baseboard spacers into the backs of the wall bracket and the gate catch

align with screw holes on wall bracket

align with screw holes on gate catch

IMPORTANT!

Be sure to line up all screw holes when snapping spacers onto the gate catch and the wall bracket.



slide housing unit onto wall bracket flush to floor