

summer®



I 3400B/I 3530B/I 3620A

Please read the following instructions and warnings carefully.

KEEP THIS INSTRUCTION MANUAL FOR FUTURE REFERENCE.

For technical support, contact us at 1-401-671-6551 or www.summerinfant.com/contact

No tools required.

For use with children from 6 months up to 37 lbs. (17 kg).

**Pop N' Sit®
Portable Booster Seat**

INSTRUCTION MANUAL

Infant Floor Seat:

⚠ WARNING

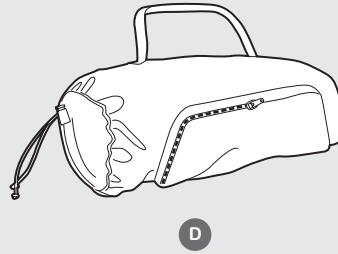
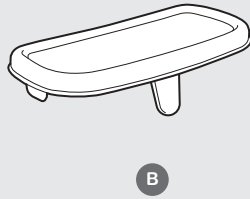
- **FALL HAZARD:** Infants have suffered skull fractures falling while in and from floor seats.
- Use **ONLY** on the floor.
- **NEVER** use on an elevated surface.
- **ALWAYS** use restraints. Adjust to fit snugly.
- **NEVER** lift or carry child in the product.
- Use **ONLY** with a child that is able to hold their head up unassisted.
- **STOP** using when the child can climb out or walk.
- **ALWAYS** keep child in view while in product.
- Prevent finger injury: Keep child away from product when unfolding or folding seat. Keep child's hands away when installing the tray.
- **DROWNING HAZARD:** Infants have drowned when floor seat has been placed in a bath tub or pool.
- **NEVER** use in or near water.

Booster Seat:

⚠ WARNING

- Children have suffered **head injuries**, including skull fractures, **after falling** with or from booster seats.
- Check that booster seat is **securely attached** to adult chair before each use.
 - **Always use restraint** until child is able to get in and out of booster seat without help. Adjust to fit snugly.
 - **Never** allow child to **push away from table**.
 - **Never** lift and **carry** child in booster seat.
 - **Stay near** and **watch** your child during use.
 - **ALWAYS** secure **BOTH** back and seat straps to an adult chair.
 - **NEVER** lift this product with your child in it.
 - **NEVER** leave child unattended and without supervision.
 - **NEVER** use this product as a car seat or bath seat, on a table or counter top, stool, swivel chair, folding chair, unstable chair or any other chair where the straps cannot secure it properly.
 - Prevent serious injury or death. Do not use in motor vehicles.
 - Minimum dimensions of adult chair that the booster seat shall be attached to: Seat Width: 13.5 in. and Depth: 13 in., and the Backrest Height is at least 10 in. tall.
 - Until child is able to get in and out of the booster seat without help (about 2 1/2 years old), the child should be secured in the booster seat at all times by the restraining system. The tray is not designed to hold the child in the chair.
 - Check that both the floor and seat of the chair are level before installing the booster seat.
 - Prevent finger injury: Keep child away from chair when unfolding or folding seat. Keep child's hands away when installing the tray.
 - Use this product only with children capable of sitting upright unassisted.
 - Discontinue use of product if damaged, broken, or disassembled.
 - Once installed, check the security and position of the booster seat.
- PREVENT FALLS: ALWAYS USE BOOSTER CHAIR STRAPS** when using product on elevated surfaces as a Booster Seat.

components



- A** Folding Booster Seat
- B** Tray
- C** Chair Straps (2)
- D** Travel Bag

modes



Only use for children who are able sit up unassisted (approximately 6 months of age). Stop using as a Floor Seat when child can walk or get in and out of product by themselves (approximately 12 months of age).

1 Infant Floor Seat

Use on the floor with or without tray.

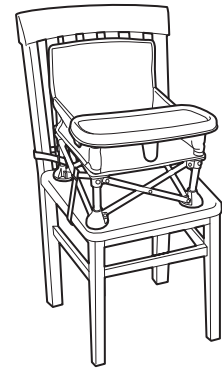


2 Booster Seat

Use on an adult chair (chair straps included) with or without tray.

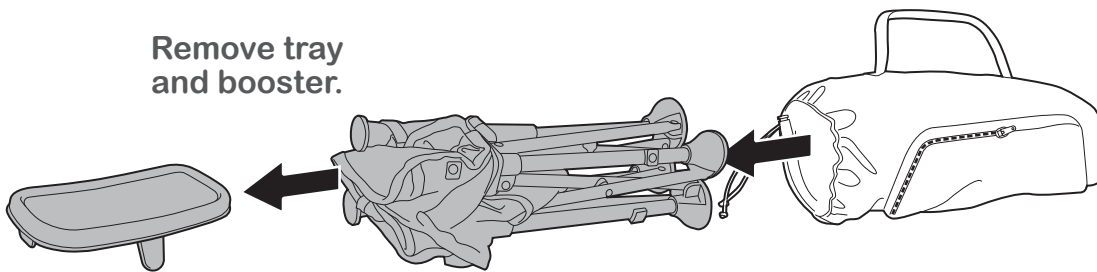


Only use for children capable of sitting upright unassisted.

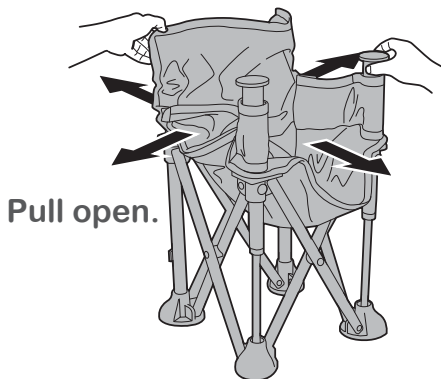


assembly

Remove tray and booster.



1

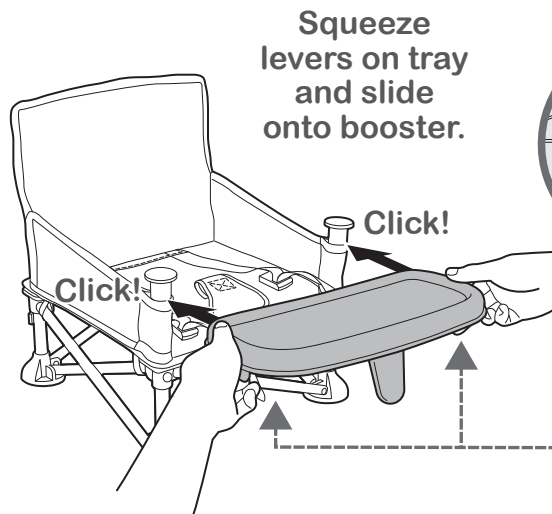


Pull open.



Note: Before use, press down on seat to ensure legs and seat are fully open.

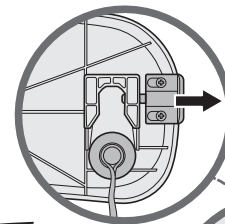
2



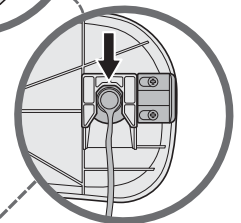
Squeeze levers on tray and slide onto booster.

Click!

Click!



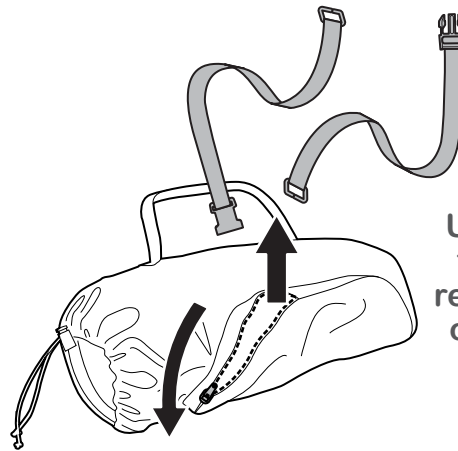
Note: Before use, ensure that the tray connection is secure.



FINISHED!

3

securing booster to chair

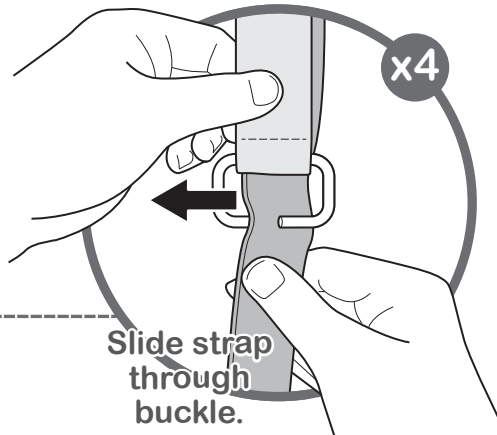
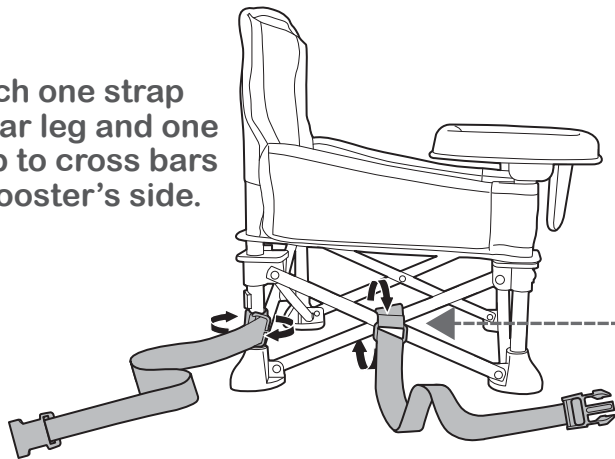


x2

Unzip pocket of travel bag and remove both sets of chair straps.

1

Attach one strap to rear leg and one strap to cross bars on booster's side.



x4

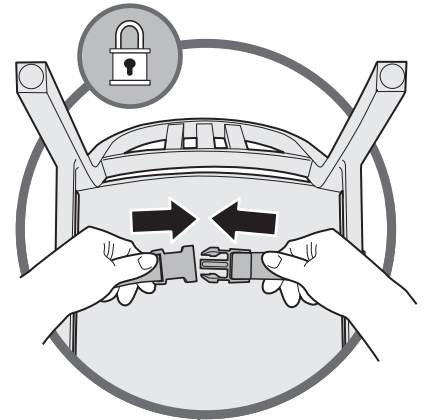
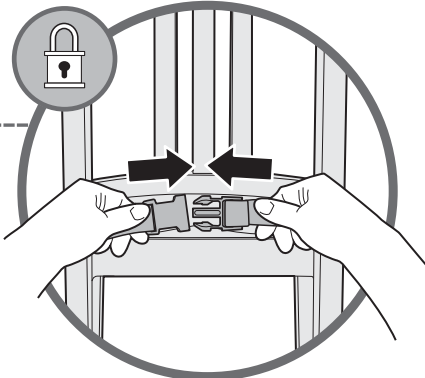
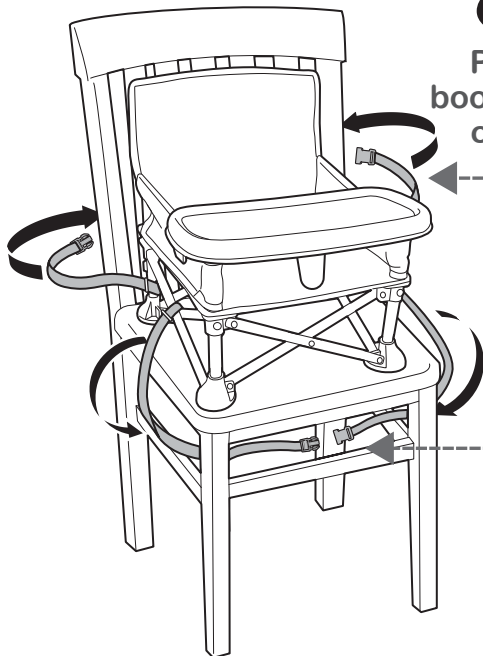
Slide strap through buckle.

Repeat with two remaining straps on opposite side of chair.

2

1st

Place booster on chair.

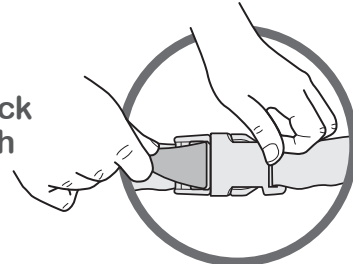


2nd

Fasten clips around chair back and underneath chair seat.

3rd

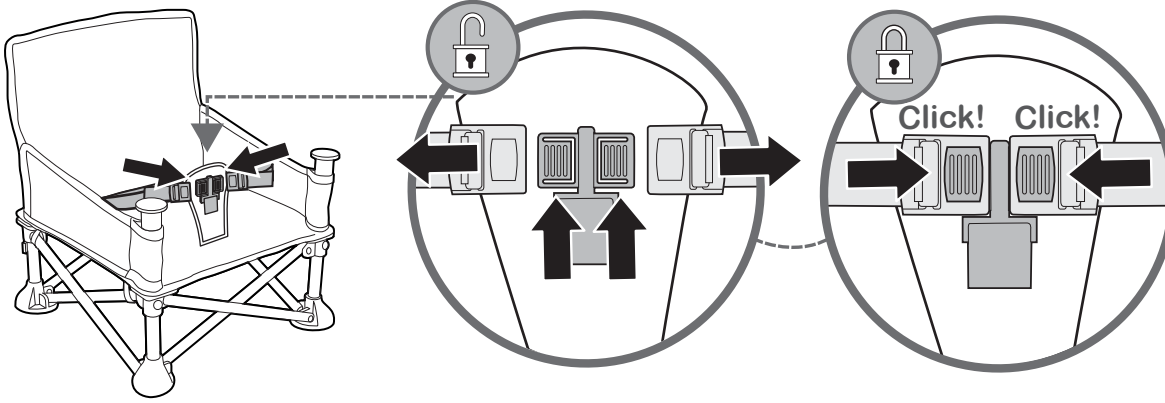
Be sure to tighten straps.



3

3

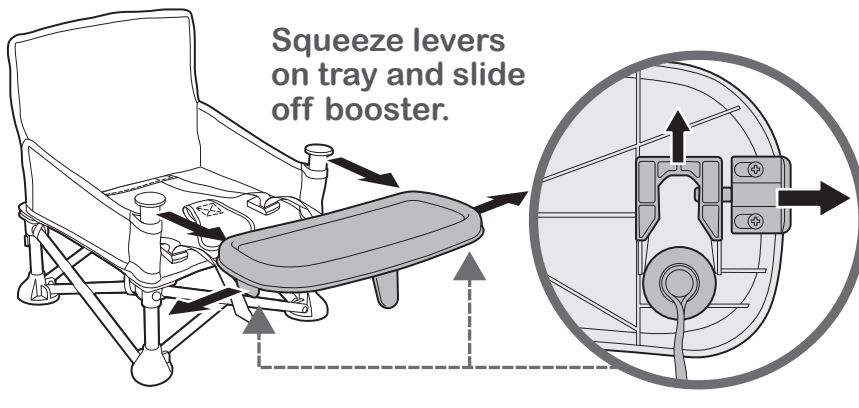
child restraint



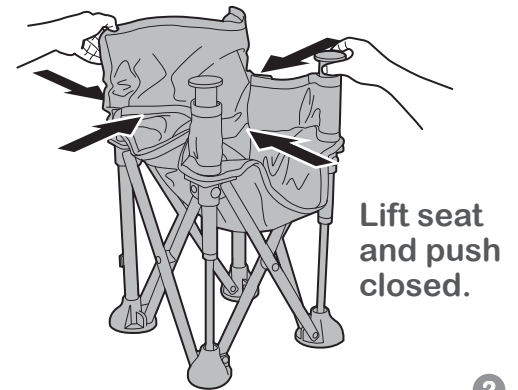
WARNING

Prevent serious injury or death from falls or sliding out. Always use restraint system.

tray removal & storage

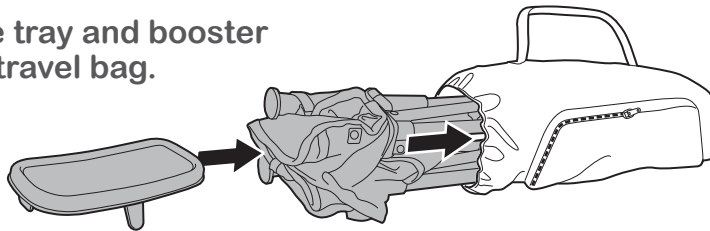


1



2

Slide tray and booster into travel bag.



3

cleaning and maintenance

- Before each use, inspect the product for damaged hardware, loose joints, missing parts, or sharp edges. Do not use product if any parts are missing, torn, or broken.
- To clean product seat and chair straps: Wipe clean with a damp cloth or sponge using mild soap and clean warm water. Towel or air dry.
- Tray: Dishwasher safe, top rack only.

ordering replacement parts

To order replacement parts, contact our Consumer Relations Team at **401-671-6551** or www.summerinfant.com/contact

- Straps: #13530-11
- Tray: #13400-10
- Travel bag: #13400-12

We're here to help!

If you have any questions or need assistance, contact our Consumer Relations Team at **1-401-671-6551** or www.summerinfant.com/contact



summer®

Summer Infant (USA), Inc.
1275 Park East Drive
Woonsocket, RI 02895 USA
1-401-671-6551
© 2018 Summer Infant (USA), Inc.

Please retain information
for future reference.
Colors and styles may vary.
Made in China.
9/18