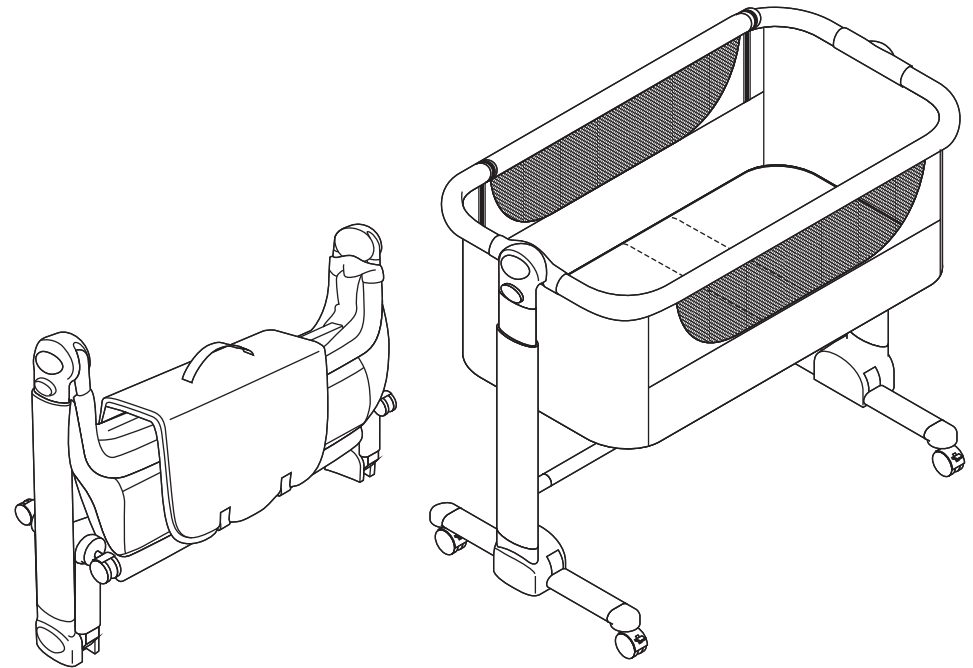


nested

Folding Co-Sleeper



**IMPORTANT:
RETAIN FOR FUTURE REFERENCE
READ CAREFULLY**

Introduction:

Congratulations on purchasing your Nested Folding Co-Sleeper.

This product has been designed and developed with safety, comfort and functionality in mind. Please take the time to read this manual carefully before using this product and keep it in a safe place for future reference.

The Nested Folding Co-Sleeper allows you and your baby to sleep beside each other without the need to share the same bed. The contemporary and versatile design can be used either as a co-sleeper or a standalone crib.

Suitable from birth this crib features mesh panelling for air circulation, six height positions and is easy to manoeuvre thanks to the lockable wheels and lightweight design. An adjustable incline provides your baby relief from reflux or congestion symptoms.

The Nested Folding Co-Sleeper is compatible with most standard bed types and easily and cleverly folds. Use the included bag for transport and storage.

Specifications:

Age suitability:	Birth to approx. 6 months
Weight:	10.8 kgs
Weight limit:	9 kg (19.8 lbs)

Maintenance:

Always check parts regularly for tightness of bolts, nuts and other fasteners - tighten or replace if required.

Check the strength of the fabric covers from time to time. Defective or worn parts must be replaced; as should components which are broken, torn, defective or worn out.

Use only parts and accessories approved by the manufacturer.

Cleaning:

Spot clean the mattress and crib lining using mild soap or upholstery shampoo. NEVER use bleach. Air dry in shade thoroughly before reuse and avoid direct heat and sunlight. DO NOT iron. DO NOT dry clean.

Check the resistance of the fabric and the stitching after cleaning.

Wipe the frame using warm water and a mild detergent. NEVER use bleach. Never clean any part of the crib with abrasive, ammonia based, bleach based or spirit type cleaners.

Ensure the product is fully dry before use or storage.

Always ensure the crib is stored in a dry place to prevent mold or mildew developing. Store away from any heat sources and not in the sun.

Safety Precautions:

WARNINGS:

IMPORTANT - RETAIN FOR FUTURE REFERENCE - READ CAREFULLY.

WARNING! BEFORE USE, REMOVE AND DISPOSE OF ALL PLASTIC BAGS AND PACKAGING MATERIALS AND KEEP THEM OUT OF REACH OF CHILDREN.

WARNING! This product is intended for use for babies aged between 0 and 6 months, weighing up to a maximum of 9 kg.

WARNING! When a child is able to sit, kneel or to pull itself up, the crib shall not be used anymore for this child.

WARNING! Do not use the product if any part is broken, torn or missing.

WARNING! Be aware of the risk of open fires and other sources of strong heat, such as electric bar fires, gas fires etc.

- Before assembly, check that the product and all of its components have not been damaged during transportation. Should any part be damaged do not use and keep out of reach of children.

- Make sure the users of this product are knowledgeable on its proper operation.

WARNING! The product is ready for use only when all locking mechanisms are engaged. Check carefully that these are engaged before use.

WARNING! When the child is left unattended in the product, in “crib mode”, always make sure that the side rail is raised and the zips are completely closed.

- When the child is left unattended in the product, in “crib mode”, the wheels must always be locked.

- All opening, adjusting, anchoring and positioning operations of the product must be carried out exclusively by an adult.

- Before use in “co-sleeping mode” (fixed to bed) make sure the product is properly anchored and positioned.

WARNING! When the product is used in “co-sleeping mode” (fixed to bed), before laying the child in it, make sure that the connection belts are hooked and tensioned properly, the product must be secured to the adult mattress and no gaps between the product and the adult mattress must be present.

- The product must always be placed on a horizontal surface. Never leave the product on an inclined surface with the child inside of it.

- Children must not be permitted to play without supervision near the product.

- Do not use the product without the frame.

Safety Precautions:

- Keep the fastening belts away from the reach of children.
- Only use the mattress supplied by the manufacturer.
- The thickness of the mattress must be such that the vertical height (upper surface of the mattress until the upper edge of the product's sides) is at least 200mm.
- Do not use more than one mattress in the product.
- The reference mark on the product's interior indicates the maximum thickness of the mattress that shall be used.
- Do not leave any object inside the product that could reduce its depth.
- Do not position the product near walls and obstacles to prevent trapping hazards.
- Do not leave small objects inside the product to prevent choking hazards.
- Use only spare parts approved by the manufacturer. Do not apply accessories to the product, which are not supplied by the manufacturer.
- Do not adjust the product with the child inside.
- Do not move the product with the child inside.
- Do not use the product for more than one child at a time.
- The product must be kept away from electric cables and cords: do not place the product near windows where cords, curtains or similar objects could pose choking or strangling hazards for the child. To avoid strangling hazards, do not give to your child or place near her/him, objects equipped with cords.
- All assembly fittings should be tightened properly and care should be taken to ensure no screws are loose, as a child could trap parts of the body or clothing e.g. strings, necklaces, ribbons etc. which could pose a risk of strangulation.
- A prolonged exposure to the sun may cause changes of tones to the product's colour. After a prolonged exposure of the product to high temperatures, wait a few minutes prior to placing your child in it.
- When not in use, keep the product away from the reach of children.

CO-SLEEPING MODE (FIXED TO BED)

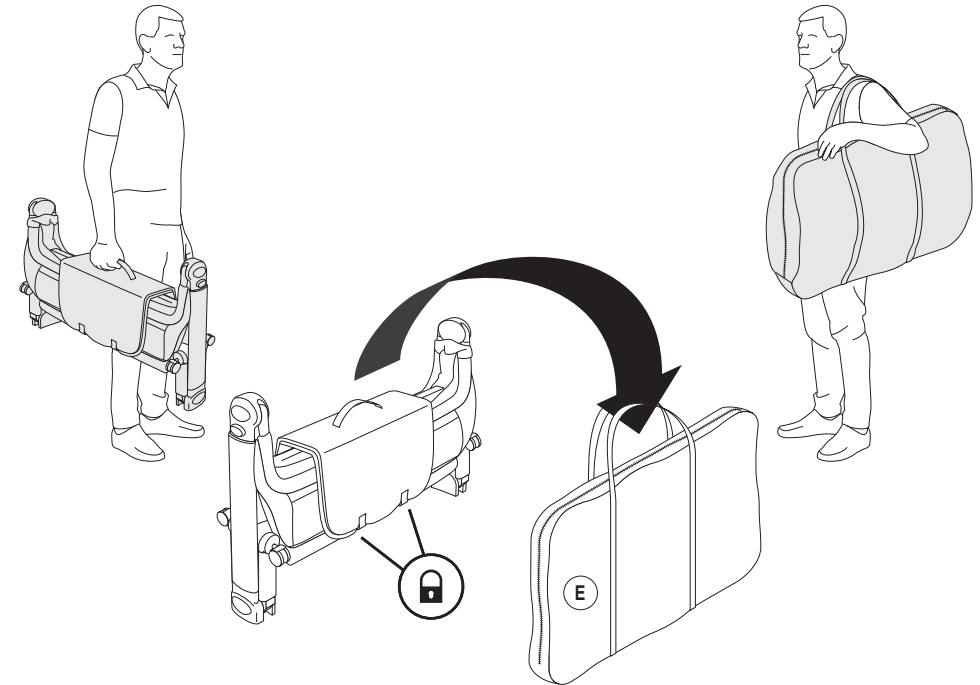
- The side support of the crib should always be put close to the adult mattress and the mattress should always be aligned with the height of the side support for restraint of the crib. Furthermore, the crib should be firmly fixed to the structure of the adult bed or to the mattress support.

WARNING! Check to make sure that the crib in the “co-sleeping mode” does not interfere with the adult bed.

Folding:

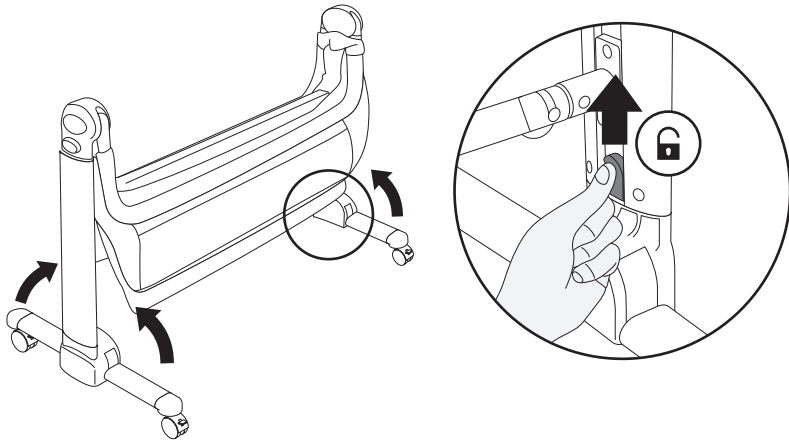
Step 5. The crib can also be carried by the mattress handle. Ensure the mattress Velcro is secure before lifting crib by mattress.

A bag (E) is included for easier carrying, transportation or storage.

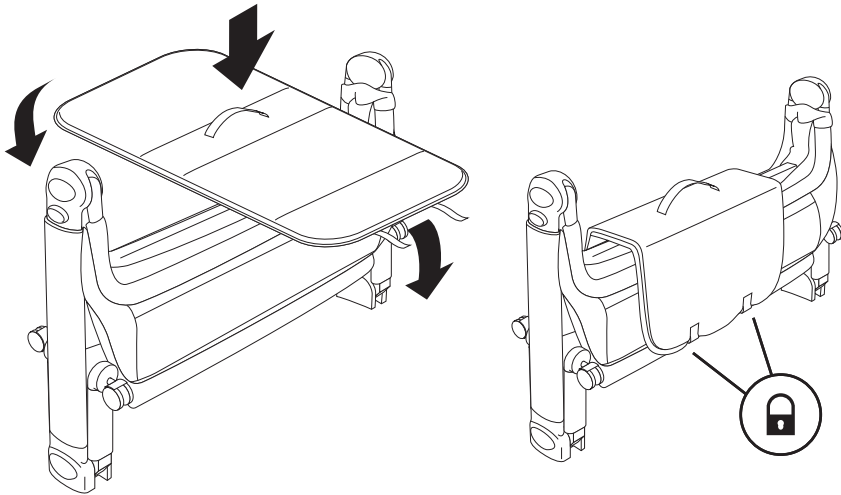


Folding:

Step 3. Push up clip to unlock the feet and pull feet upwards.



Step 4. Wrap the mattress around the crib body and secure with Velcro at the base. Ensure the carrying handle is on the outside facing upwards.



Safety Precautions:

WARNING! Use the crib with the tube lowered, only in “co-sleeping mode” (fixed to bed).

WARNING! The height of the adult mattress should always be more than that of the side support for containment of the crib.

WARNING! In “co-sleeping mode” the 2 legs of the crib should always be adjusted to the same height.

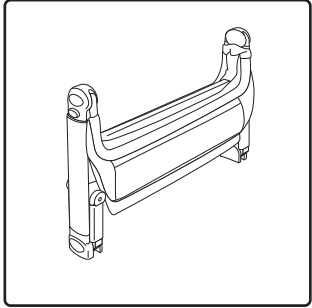
WARNING! Before every use always check to make sure that there is no space between the adult mattress and the side of the crib. On a regular basis check the condition of the product and the presence of any possible damage. In the case of damage do not use it and keep it out of reach of children.

This product conforms to EN 1130-1:1996

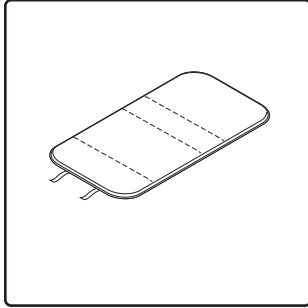
Parts:

Check what you have received:

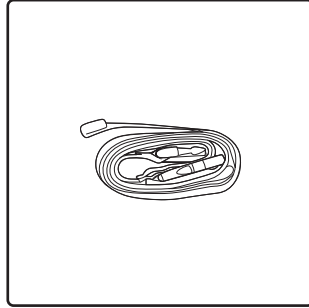
You have received 1 box. Please check the contents of the box against the list below. If anything is missing, please contact Customer Service.



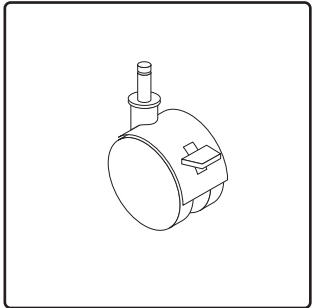
(A) crib
x1



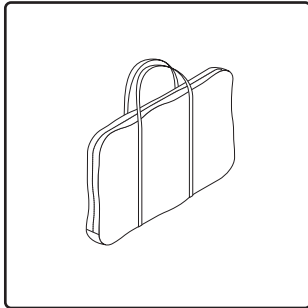
(B) mattress
x1



(C) "co-sleeper" belts
x2



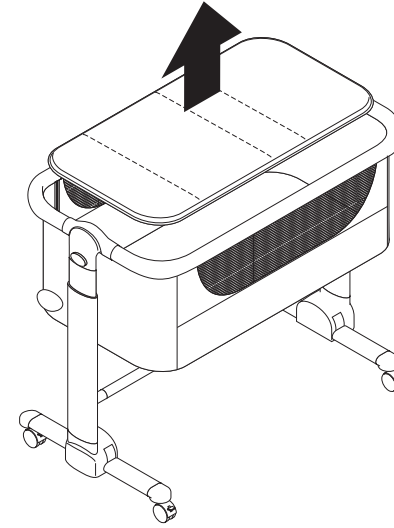
(D) wheels
x4



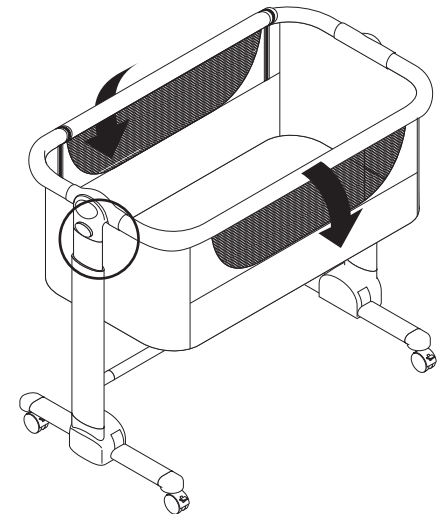
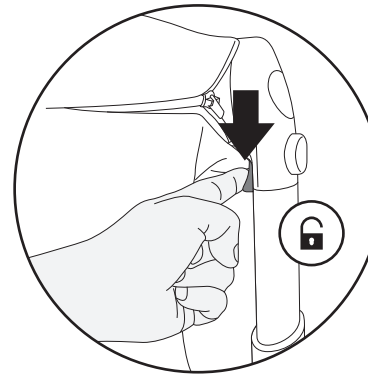
(E) bag
x1

Folding:

Step 1. Remove the mattress from the crib.

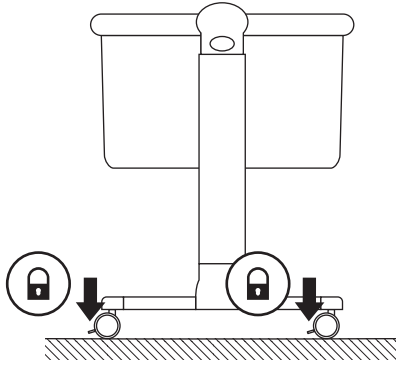


Step 2. Push button to unlock the rails and push rails downwards to a close.



Co-Sleeper (Fixed to Bed):

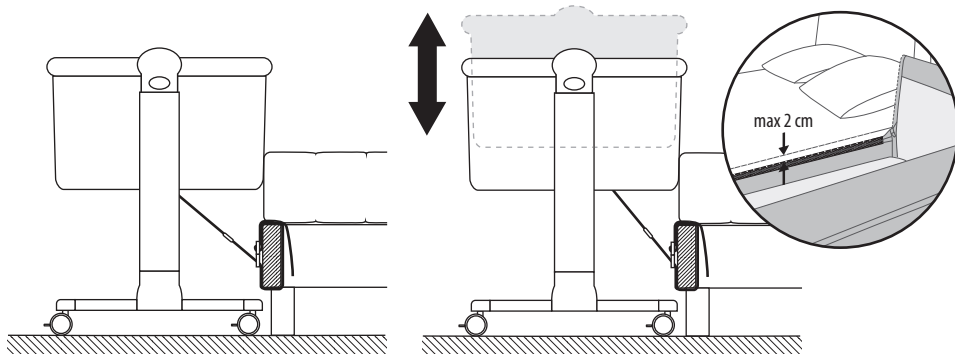
Step 7. Push down the wheel pedals to lock wheels.



Step 8. Check the height of the crib against the adult mattress and adjust as required.

WARNING! The height of the adult mattress should always be more than that of the side support for containment of the crib.

WARNING! In “co-sleeping mode” the 2 legs of the crib should always be adjusted to the same height.

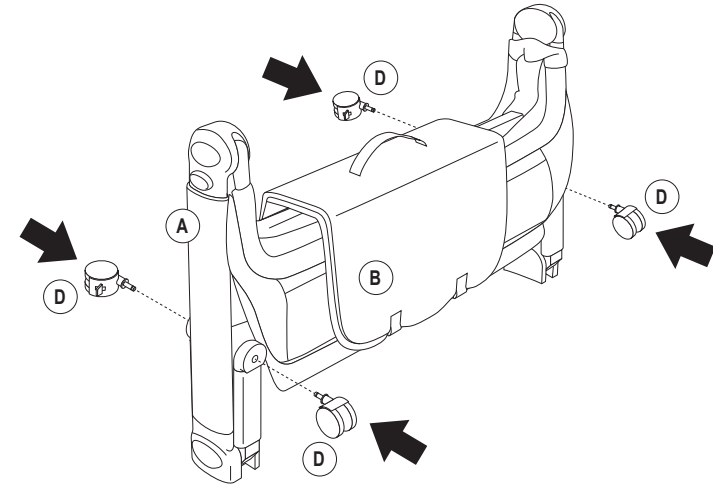


WARNING! Before every use always check to ensure that there is no space between the adult mattress and the side of the crib. If there is, pull the belts firmly to tighten until there's no space and the required condition of use has been restored.

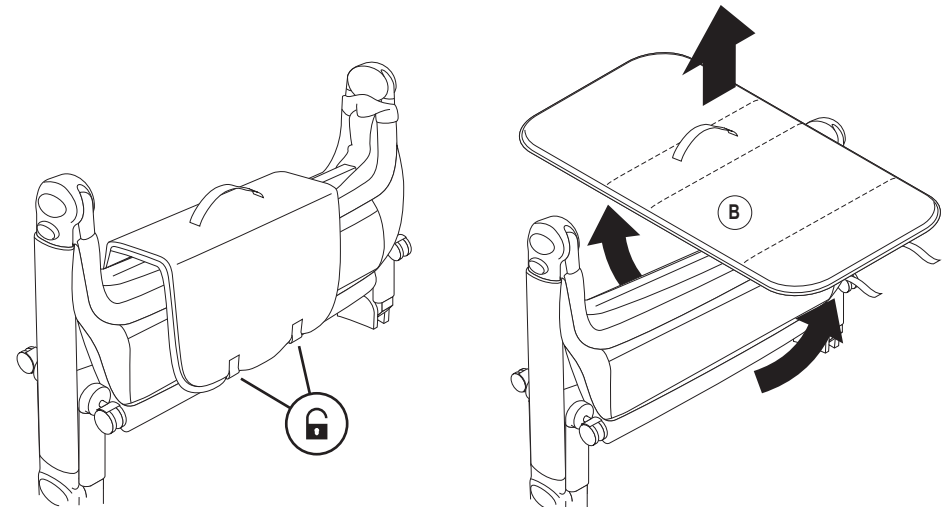
WARNING! During use, ensure that the adult bed sheets, blankets etc. do not enter and cover the interior of the crib.

Assembly:

Step 1. Attach the 4 x wheels (D) to the bottom of the crib (A) feet.
Note. the mattress (B) is wrapped around the crib body.



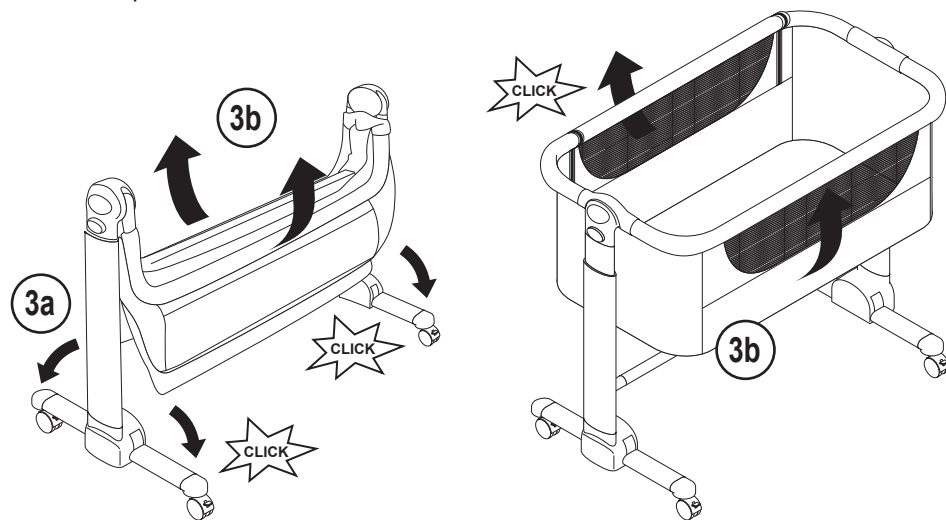
Step 2. Undo the mattress Velcro tabs and remove the mattress from around the crib body.



Assembly:

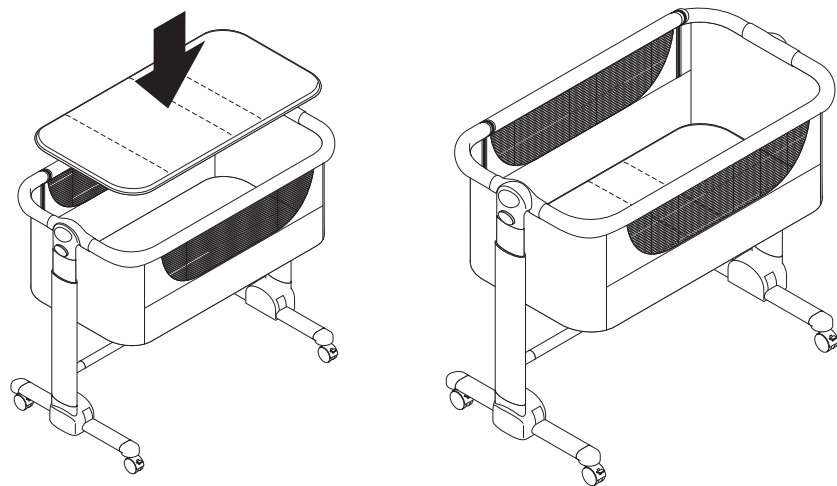
Step 3a. Pull the 4 x feet downwards from the frame. The feet will 'click' to signal locked into position.

Step 3b. Lift the crib body rails up and outwards to unfold. The rails will 'click' to signal locked into position.



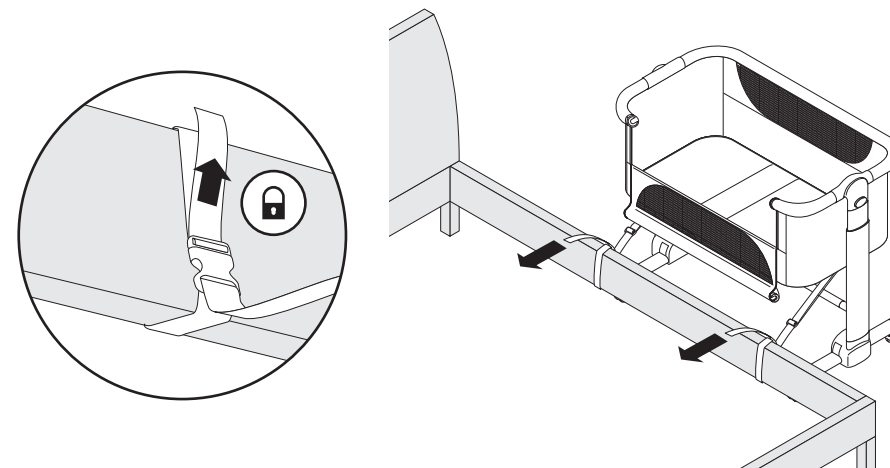
Step 4. Place the mattress (B) into the crib.

WARNING! Always make sure the drop side is raised and the zips are completely closed in "crib mode".

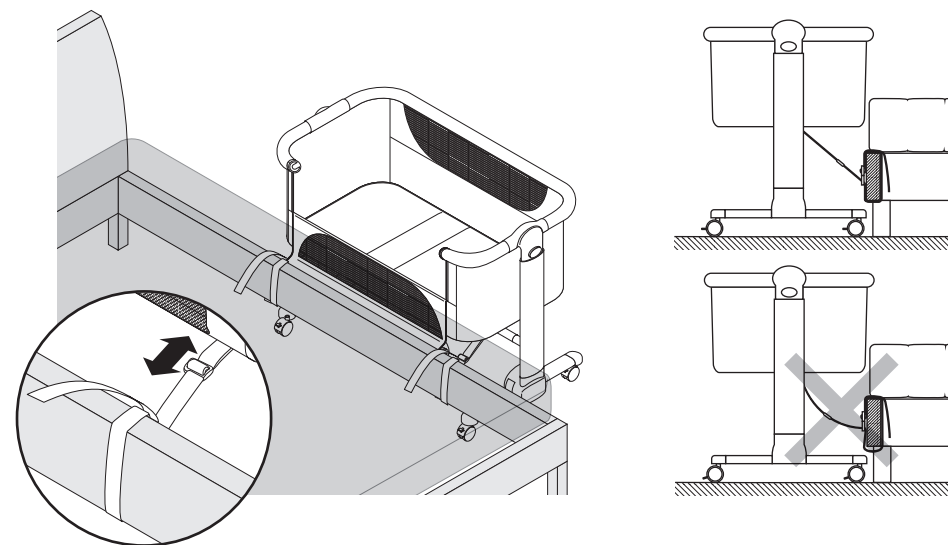


Co-Sleeper (Fixed to Bed):

Step 5. Pull on the loose end of the belt to ensure it is secure and tight around the adult bed frame.

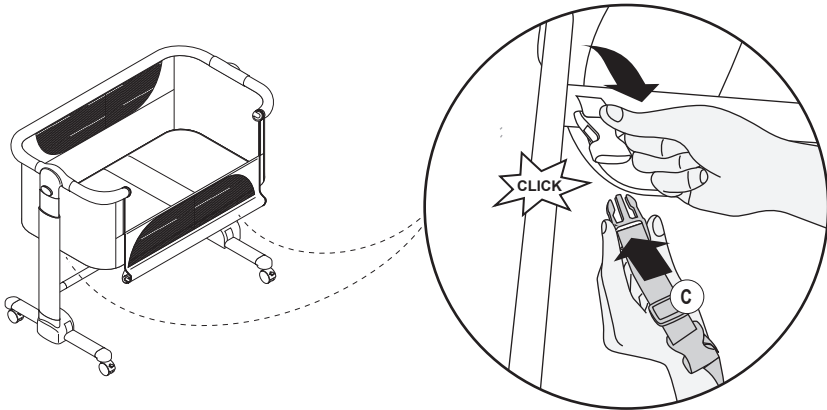


Step 6. Adjust the sliders to shorten and tighten the belts; they must be rigid with no slack. The crib should be right up against the adult bed with no gaps.



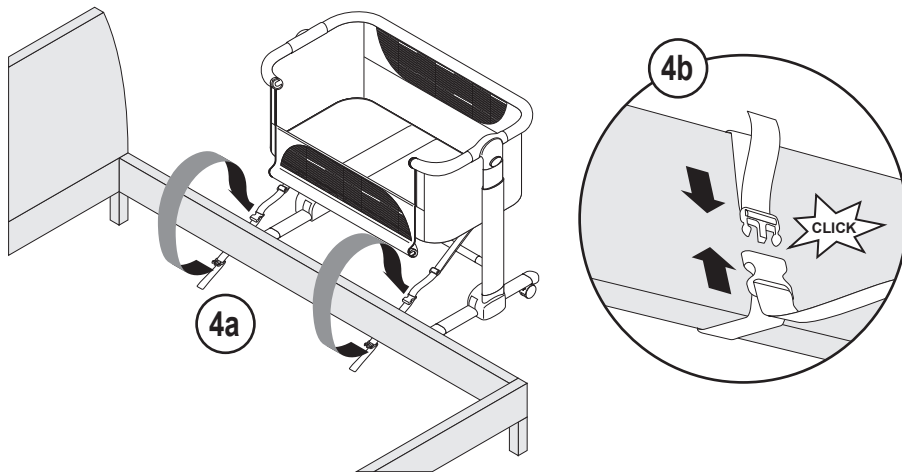
Co-Sleeper (Fixed to Bed):

Step 3. Use the “co-sleeper” belts (C) provided to fix the crib to the adult bed. Attach the buckles underneath the crib on both sides.



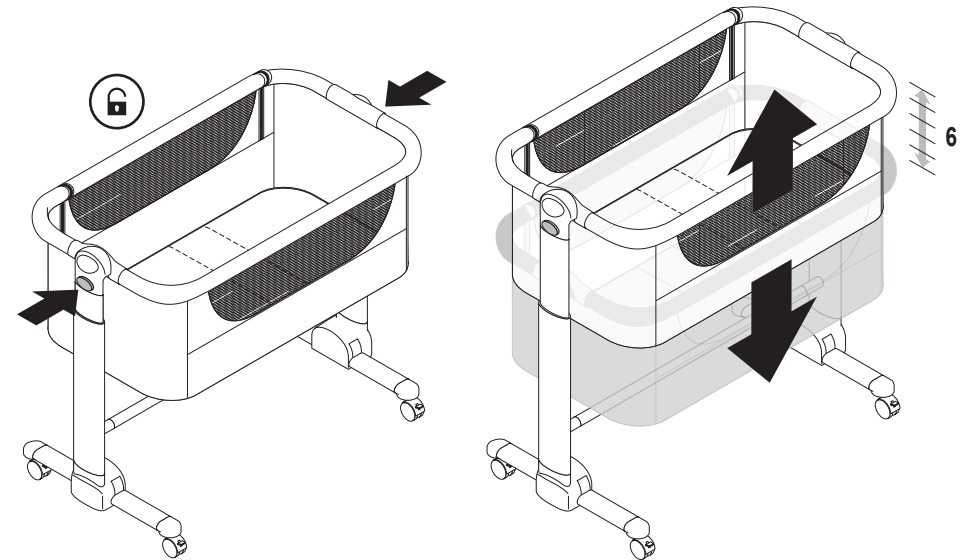
Step 4a. Wrap the belts around the frame of the adult bed, from the bottom towards the top.

Step 4b. Fasten the buckles around the adult bed frame.



Height Adjustment:

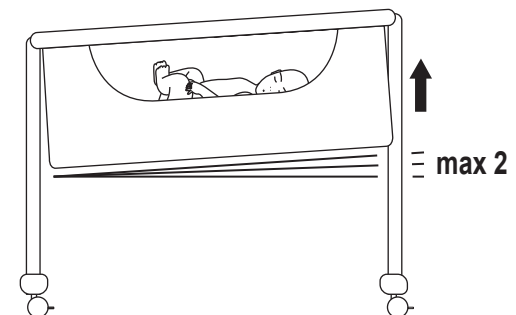
The crib has 6 height positions. Press in the adjustment button on the side and adjust crib to desired position.



The base of the crib can be inclined slightly by adjusting frame sides to different heights.

The crib can be inclined with a max. variance of 2 positions between one side and the other e.g. the right side in position 3 and the left side in position 1.

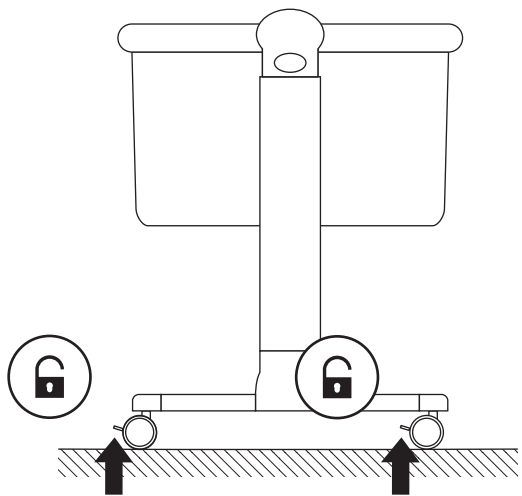
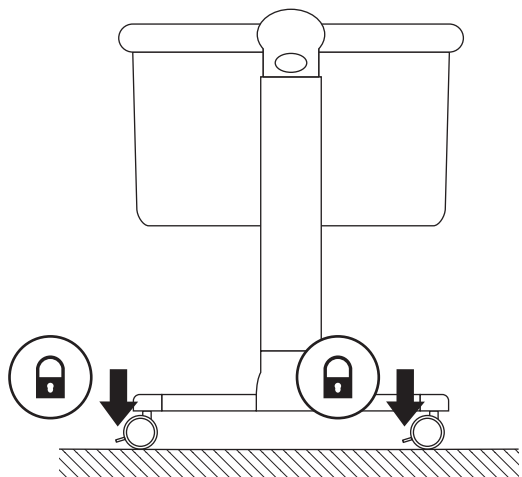
WARNING! The head of the child should always be positioned on the highest side.



Wheels:

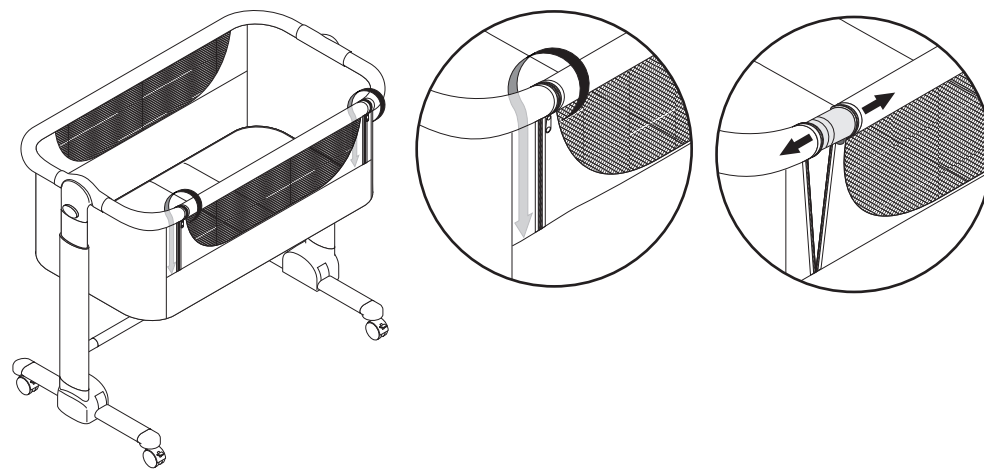
Push down the wheel pedals to lock wheels. Push pedals up to unlock wheels.

WARNING! When the child is left unattended in the product, in “crib mode”, the wheels must always be locked.



Co-Sleeper (Fixed to Bed):

Step 1. Undo the zips to open the drop side. Ensure they are fully open.



Step 2a. Push the button and pull the rail out from the tube. Repeat for the other side.

Step 2b. Lower the side rail.

WARNING! If the child is left alone in the crib, always make sure that the drop side is raised.

