



# Wattle

Travel Portacot  
0M - 15KG Max.

## Instruction Manual





# WARNINGS



## IMPORTANT

BEFORE ASSEMBLING THIS COT READ AND UNDERSTAND THE INSTRUCTIONS.

Do not use this mattress other than the one supplied by the manufacturers. Incorrect mattress can cause death.

Use only accessories as recommended by the manufacturers.

Ensure the top rails and base are fully locked.

Stop using this cot if any part of the cot is broken, torn or missing.

KEEP THESE INSTRUCTIONS IN A SAFE PLACE FOR FUTURE REFERENCE.



## WARNINGS



### **WARNING:**

Stop using this bassinet as the child is able to sit unaided, pull itself up or push up on its hands and knees. The lower position should then be used.

### **IMPORTANT:**

Mattress is included and is designed specifically for this cot. No other mattress or padding is required for this cot. Before assembling use and read all of the instructions enclosed. Only use accessories recommended for this cot.

These instructions detail the safe use, assembly and maintenance of your product. Please read these instructions carefully and ensure that they are followed at all times.

Designed to comply with Australian and New Zealand Standard AS/NZS 2195:2010 + Amendment No.1:2013 + Amendment No.2:2015  
AS/NZS 8811.1:2013



# WARNINGS



## COT USE:

- USE ONLY THE MATTRESS SUPPLIED BY THE MANUFACTURER, INCORRECT MATTRESSES CAN CAUSE DEATH.
- USE ONLY ACCESSORIES AS RECOMMENDED BY THE SUPPLIER.
- ENSURE THE TOP RAILS AND BASE ARE FULLY LOCKED.
- DO NOT USE THIS COT IF ANY PART OF THE COT IS BROKEN, TORN OR MISSING.
- DO NOT ADD AN EXTRA MATTRESS AS THIS MAY CAUSE SUFFOCATION.
- BEFORE EACH USE, ENSURE THAT THE COT IS CORRECTLY ASSEMBLED AND THAT THE LOCKING DEVICES ARE FULLY ENGAGED.
- THE GAME ENTRANCE MUST BE ZIPPED UP WHEN THE CHILDREN ARE PLAYING IN THE COT.

WATTLE TRAVEL PORTACOT | MAX 15KG



## WARNINGS



### **BASSINET USE:**

- TO PREVENT FALLS, THE BASSINET MUST NOT BE USED ONCE A CHILD CAN SIT UP.
- THIS BASSINET SHOULD BE REMOVED BEFORE THE CHILD CAN SIT UP.
- NEVER PLACE A CHILD IN THE COT WHEN THIS BASSINET IS IN PLACE.
- USE ONLY THE MATTRESS SUPPLIED BY THE MANUFACTURER.
- INCORRECT MATTRESS CAN CAUSE DEATH.

### **FOR SAFE USE:**

- To reduce the risks of Sudden Infant Death Syndrome (SIDS), paediatricians recommend healthy infants to be placed on their backs to sleep – unless otherwise advised by your physician.



## WARNINGS



### IMPORTANT:

- Never use an extra mattress as this may cause a child to become trapped in the gap between the extra mattress, and the side of the folding cot, and suffocate.
- Before use, ensure that the folding cot has been assembled correctly in accordance with instructions and that all top rail locks are securely engaged.
- Keep children away while assembling or disassembling the cot. Never allow young children to play unsupervised in the vicinity of the folding cot.
- Do not leave anything in the folding cot (such as toys) that provide a foothold to enable the child to climb out.
- Do not use the folding cot near naked heat sources, bar heaters, open fires or exposed flames.
- Keep the folding cot clear of trailing cables and hanging cords.

WATTLE TRAVEL PORTACOT | MAX 15KG



## WARNINGS



- Keep medication and small items that a child could choke on away from the cot.
- Discontinue the use of the cot if the material cover of the padded rim has been bitten through or torn.
- Do not leave the folding cot outdoors exposed to direct sunlight.
- Do not place more than one child in the folding cot at the same time.
- Do not try and move the folding cot while a child is in it.
- This product is not intended for commercial use.
- To avoid danger of suffocation, keep any plastic bags away from babies and children.

### **WEIGHT LIMIT:**

- Portacot: Suitable for 1 child up to **15kg** in weight.
- Bassinet: Suitable for 1 child up to **9kg**.



## WARNINGS



### FALL HAZARD:

- To prevent falls, **DO NOT** use the folding cot once the infant has reached the manufacturer's maximum weight of **15kg**.

### SUFFOCATION HAZARD:

Infants can suffocate:

- In gaps between an extra pad or mattress.
- In soft bedding.

**NEVER** leave your child unattended.

- **Infant should be placed to sleep on a firm, flat surface**
- **Place infant on their back when using this product**
- **Do not put objects or accessories in an infant's sleep environment**
- **Do not place this product near a blind, cord, strap or similar item that could become wrapped around an infant's neck**

# Welcome to the Mother's Choice family

## Congratulations of the purchase of your brand new Mother's Choice travel portacot.

Our products have been designed for your child's safety and comfort. The travel portacot is an ideal solution for those who value quality, modernity and functionality. Please read the manual carefully and follow its recommendations.

## Protecting Australian families for 50 years

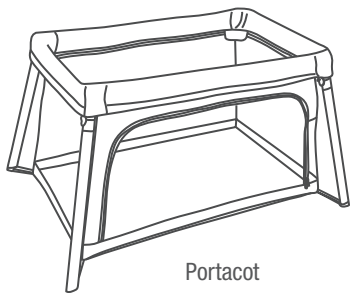
Iconic, affordable, practical, sincere - Australian nursery brand Mother's Choice has been providing quality nursery products to mothers for 50 years. From bouncers to car seats, strollers to highchairs, Mother's Choice baby products are accessible and reassuring, caring and safe – qualities we value above keeping up with trends.



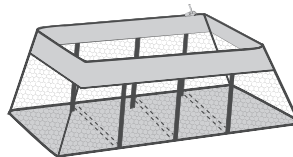
# Contents

Warnings .....	2
What's in the box .....	11
Assembly .....	13
Disassembly .....	21
Care and Maintenance .....	27
Cleaning .....	28
Warranty .....	29

# What's in the box



Portacot



Bassinet Insert



Mattress Pad: size 82 x 50 x 3cm

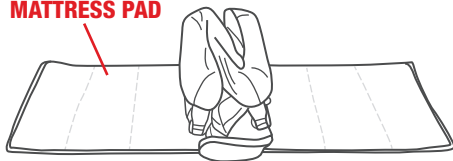


Storage Bag

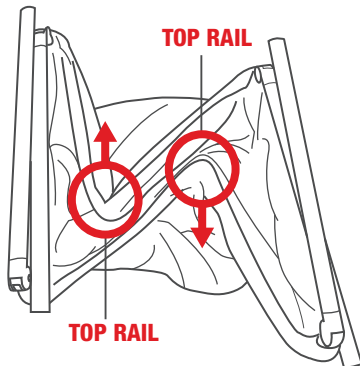
# Assembly

1

**MATTRESS PAD**



2



## Portacot assembly

Unfasten the straps on the mattress pad

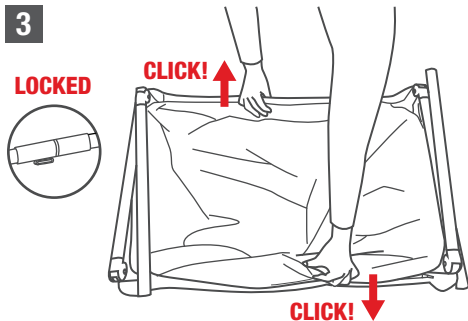
Remove the bassinet and the portacot from inside the mattress pad. (Fig. 1).

Locate the top rails of the portacot.

Carefully pull the ends rails in an outward position. (Fig. 2).

WATTLE TRAVEL PORTACOT | MAX 15KG

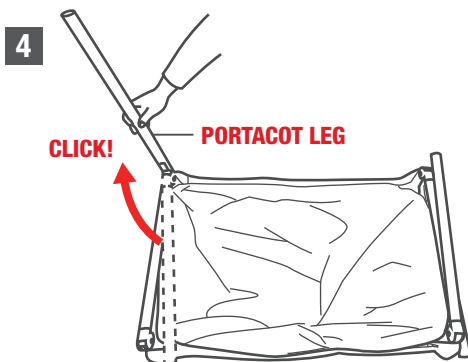
## PORTACOT ASSEMBLY



Grasp the center of each top rail then pull to “CLICK” into the locked position. (Fig. 3).

Locate each portacot leg and lift upward to “CLICK” into a locked position. (Fig. 4).

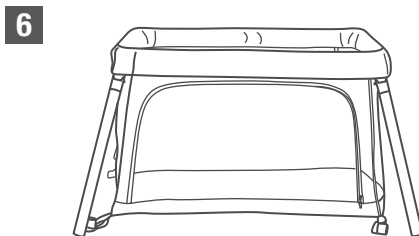
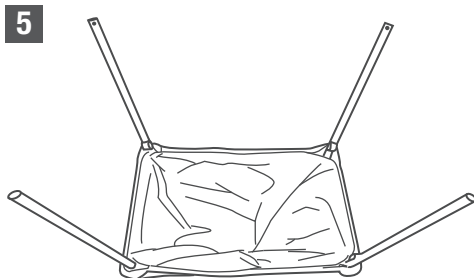
Repeat step on all portacot legs.



## PORTACOT ASSEMBLY

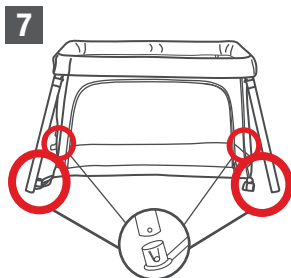
Once all portacot legs are in a fully locked position, the end result should look like the image above. (Fig. 5)

Flip the portacot in an upward position so that each end of the portacot legs are resting on the floor. (Fig. 6)

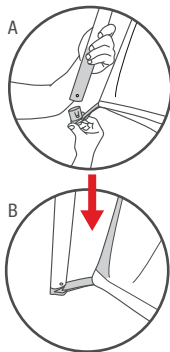


WATTLE TRAVEL PORTACOT | MAX 15KG

## PORTACOT ASSEMBLY



**PLASTIC FOOT CAP**



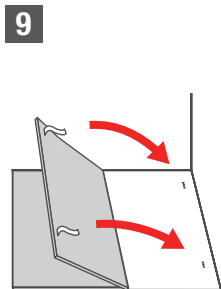
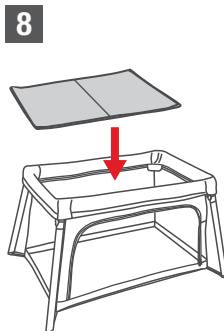
Locate the plastic foot cap on the bottom of each end of the portacot legs.

Insert the plastic foot cap (Fig. 7A) into the portacot leg until it is in a fully locked position. (Fig. 7B)

Repeat steps on all sides.

Place the mattress pad into the portacot. (Fig. 8).

Fit all four corners of the mattress pad into the corner base of the portacot. (Fig. 9).

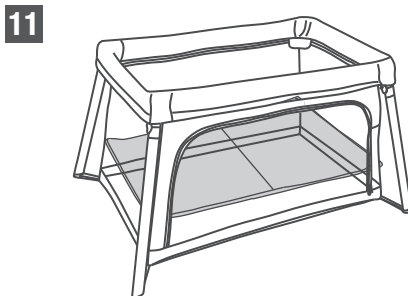
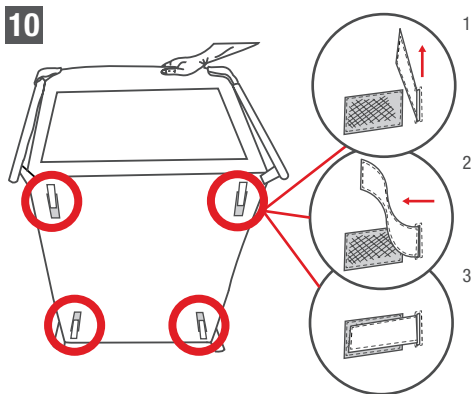


## PORTACOT ASSEMBLY

Pull hook and loop straps through the slots at the bottom of the portacot. Fasten straps as shown in illustration (Fig. 10).

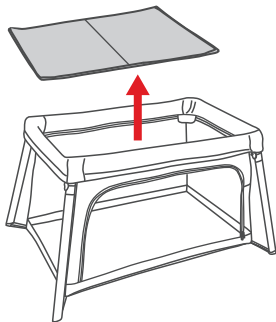
**WARNING:** Make sure both hook and loop straps are firmly attached.

When correctly placed, the final result will look like image shown. (Fig. 11)



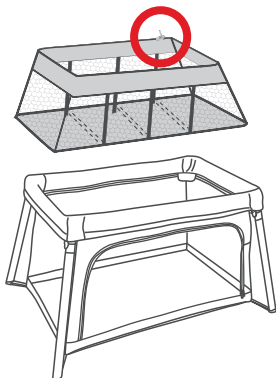
WATTLE TRAVEL PORTACOT | MAX 15KG

1



2

**BASSINET  
INSERT**



## BASSINET INSERT ASSEMBLY

Lift to unfasten the fabric fasteners on the underside of the mattress pad and remove. (Fig. 1)

**NOTE:** Remove the mattress pad used in the portacot for use in the bassinet.

Locate the bassinet insert.

Align the bassinet insert zipper pull to the zipper pin of the portacot (Fig. 2)

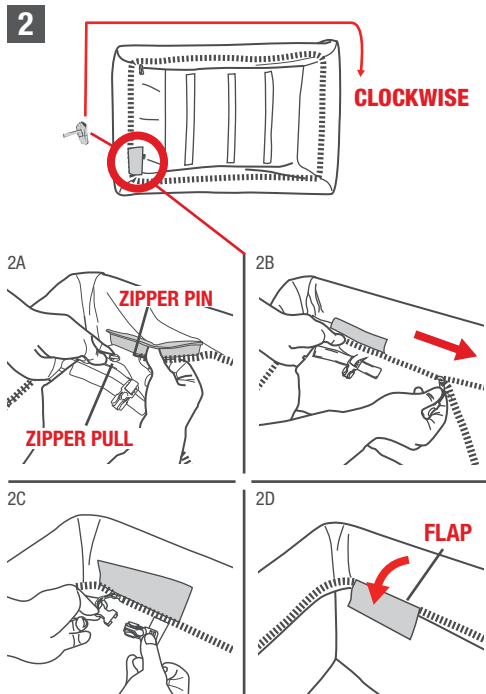
## BASSINET INSERT ASSEMBLY

Insert zipper pull into zipper pin. (Fig. 2A)

Once zipper is inserted correctly, fully zip in a clockwise direction. (Fig. 2B)

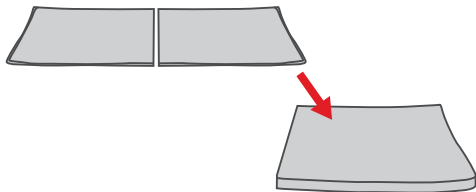
Locate the secondary buckles and secure together. (Fig. 2C)

Once all is secured, locate the flap on buckle section of the portacot and secure to the bassinet. (Fig. 2D)



WATTLE TRAVEL PORTACOT | MAX 15KG

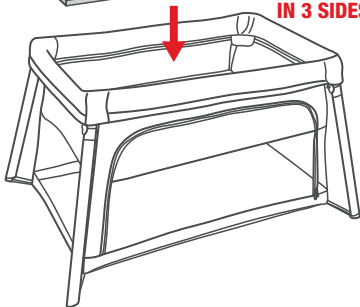
3



4

**ZIPPER  
FLAP**

**MATTRESS  
HALF WITH  
ZIPPERS  
IN 3 SIDES**



## BASSINET INSERT ASSEMBLY

Locate the mattress pad.

Place mattress pad on a flat surface so the soft side is facing in an upward position.

In bassinet mode, unzip the mattress pad into two halves. (Fig. 3)

Align the mattress half with zippers on 3 sides so that the zipper flaps are facing in an upward position. (Fig. 4)

Place the folded mattress pad into the bassinet.

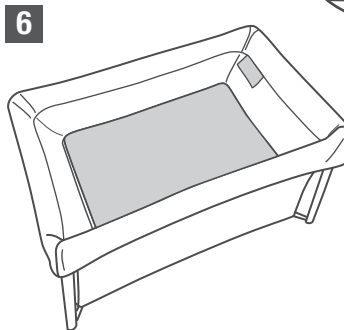
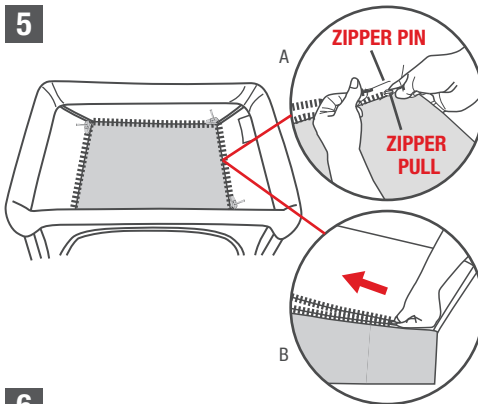
## BASSINET INSERT ASSEMBLY

Align the zipper pin to the zipper pull located on the right side of the mattress pad. (Fig. 5A)

Once aligned, fully zip to secure mattress pad in place. (Fig. 5B)

Repeat steps on the 3 sides with zippers.

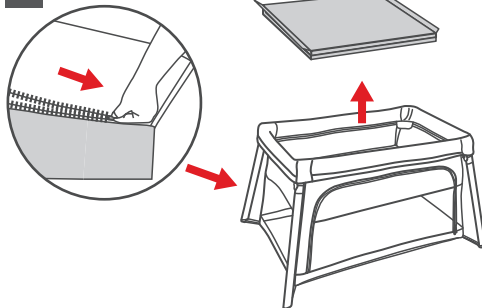
Once the mattress pad is correctly secured into the bassinet, the end result should look like the image shown. (Fig. 6)



WATTLE TRAVEL PORTACOT | MAX 15KG

# Disassembly

1



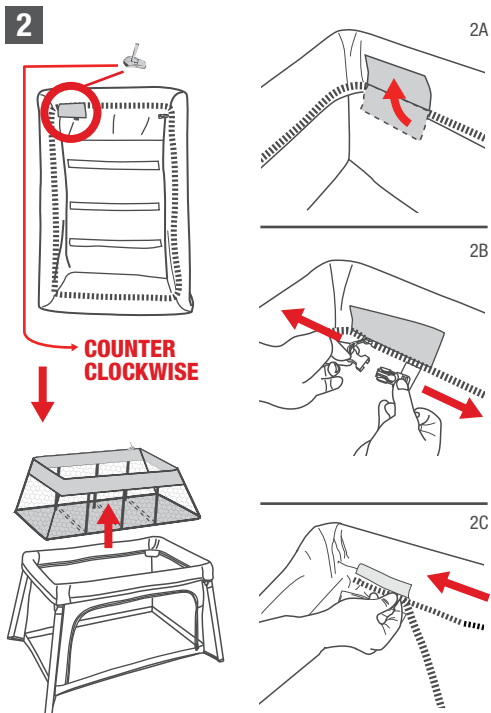
Unzip the 3 sides of the mattress pad and remove from the bassinet insert. (Fig. 1)

## BASSINET INSERT DISASSEMBLY

Locate the flap and unfasten from the bassinet insert. (Fig. 2A)

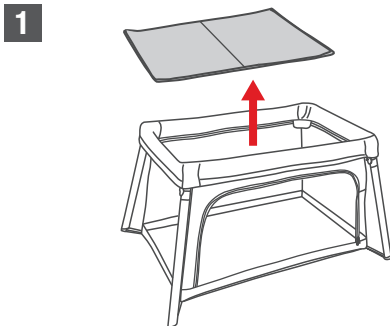
Next detach the secondary buckles and locate the zipper. (Fig. 2B)

Unzip in a counter clockwise direction to detach the bassinet insert from portacot. (Fig. 2C)



WATTLE TRAVEL PORTACOT | MAX 15KG

## FOLDING THE PORTACOT

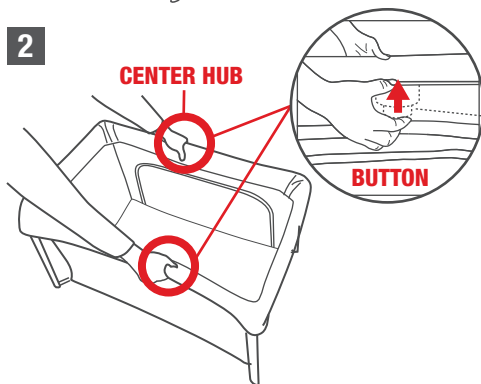


Lift to unfasten the fabric fasteners on the underside of the mattress pad and remove.

Remove the mattress pad from the portacot (Fig. 1)

Locate the center hub on the top rails and squeeze the button. (Fig. 2)

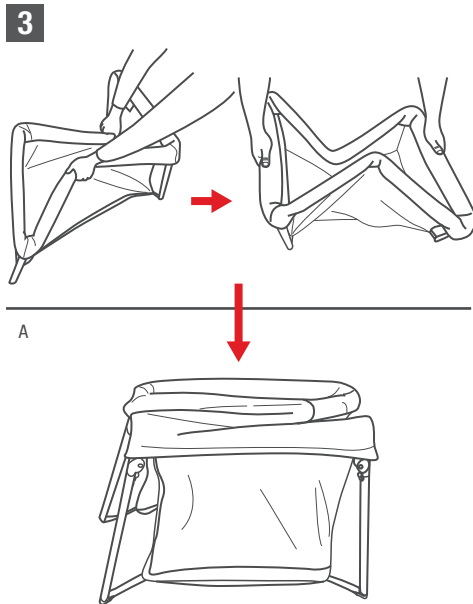
**NOTE:** Buttons are enclosed in fabric liner and on both sides.



## FOLDING THE PORTACOT

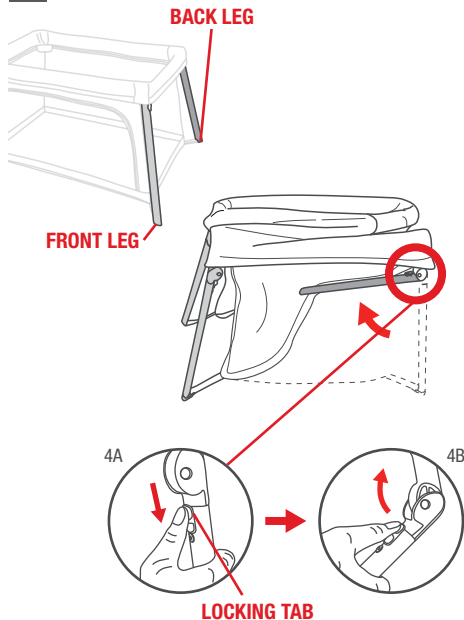
Gently push the top rails inward until portacot starts to fold. (Fig. 3)

Push all sides of the portacot inward until it is in a fully folded position. (Fig. 3A)



WATTLE TRAVEL PORTACOT | MAX 15KG

**4**



## FOLDING THE PORTACOT

Locate the locking mechanism on the portacot back legs. (Fig. 4)

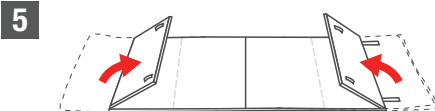
Slide the locking tab downward to unlock the portacot leg. (Fig. 4A)

Once the locking tab is fully engaged, gently fold the leg inward. (Fig. 4B)

Repeat steps on the portacot front legs.

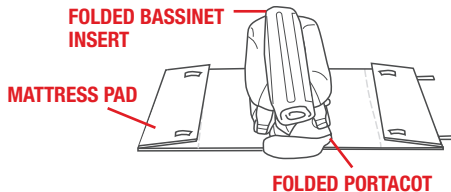
## FOLDING THE PORTACOT

Place the mattress pad on a flat surface with the soft side up and fold each end of the mattress pad inward. (Fig. 5)



Place folded portacot and support tubes on the mattress pad.

Place the folded bassinet on top of the portacot.



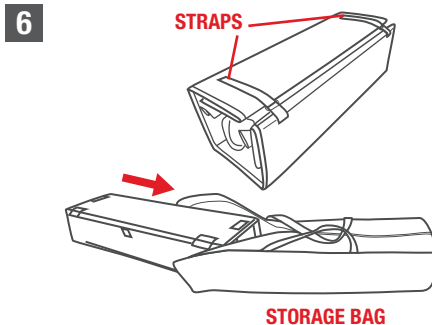
Wrap the mattress around the portacot.

Fasten the straps on the mattress pad. (Fig. 6)

Locate opening in storage bag.

Slide the folded portacot and mattress pad into the opening in the storage/ travel bag.

Close the zipper.



WATTLE TRAVEL PORTACOT | MAX 15KG

# Care and maintenance

## General

This portacot was designed and manufactured with qualified materials and craftsmanship.

## Care Instructions

- Non-Removable fabric items: Spot clean with mild soap or mild upholstery cleaner.
- Removable fabric items: Gentle hand wash or spot clean. Use mild soap. Wash separately.
- Other parts and nylon fabric: Wipe clean with moist cloth. Use mild soap for stubborn stains.
- Do not wring dry. Do not dry clean. Do not bleach. Do not tumble dry. Do not soak. Dry in shade. Do not leave in direct sunlight.

Discontinue use immediately if the fabric or seams are torn.

## Care and Maintenance

1. The product must be maintained regularly to provide full satisfaction. We advise you to check and if necessary clean mechanical parts every fortnight.
2. Do not use grease or oil.
3. Your product may not work properly if it is not maintained regularly.
4. Do not force it if it becomes difficult to adjust, fold it up or unfold it. Clean the product.
5. If difficulties persist, contact your supplier.
6. Use a sponge and mild soap. Do not use detergent.
7. For washing the garment, please consult the instruction label.

# Cleaning



Do not wash. Clean the product gently with a damp cloth and a mild detergent



Do not iron



Do not bleach



Do not dry clean



Do not dry in a tumble drier



Hand wash at max. 40°

WATTLE TRAVEL PORTACOT | MAX 15KG

# Warranty

Our 12 months warranty reflects our confidence in the high quality of our design, engineering, production and product performance. We confirm that this product was manufactured in accordance with the current Australian safety requirements and quality standards which are applicable to this product, and that this product is free from defects on materials and workmanship at the time of purchase. Under the conditions mentioned herein, this warranty may be invoked by consumers in the countries where this product has been sold by a subsidiary of the Dorel Group or by an authorized dealer or retailer.

Our 12 months warranty covers all manufacturing defects in materials and workmanship when used in normal conditions and in accordance with our user manual for a period of 12 months from the date of the original retail purchase by the first end-user customer.

To request repairs or spare parts under our warranty for defects in materials and workmanship you must present your proof of purchase, made within the 12 months preceding the service request.

Our 12 months warranty does not apply to defects caused by normal wear and tear, damage caused by accidents, abusive use, negligence, fire, liquid contact or other external cause, damage which is the consequence of failing to comply with the user manual, damage caused by use with another product, damage caused by service by anyone who is not authorized by us, or if the product is stolen or if any label or identification number has been removed from the product or has been changed.

Examples of normal wear and tear include wheels and fabric worn down by regular use and the natural breakdown of colours and materials due to normal aging of the product.

## WARRANTY

What to do in case of defects: Should problems or defects arise, your first point of contact is the authorized dealer or retailer recognized by us. Our 12 months warranty is recognized by them(1). You must present your proof of purchase, made within the 12 months preceding the service request. It is easiest if you get your service request pre-approved by us. If you submit a valid claim under this warranty, we may request that you return your product to the authorized dealer or retailer recognized by us or that you ship the product to us in accordance with our instructions. We will pay for shipment and for return freight if all instructions are followed. Damage and/or defects neither covered by our warranty nor by the legal rights of the consumer and/or damage and/or defects with respect to products that are not covered by our warranty can be handled at a reasonable fee.

### **Rights of the consumer:**

A consumer has legal rights pursuant to applicable consumer legislation, which may vary from country to country. The rights of the consumer under applicable national legislation are not affected by this warranty.

- (1) Products purchased from retailers or dealers that remove or change labels or identification numbers are considered unauthorized. Products purchased from unauthorized retailers are also considered unauthorized. No warranty applies to these products since the authenticity of these products cannot be ascertained.













1 Year  
Warranty



Australian Wide  
Customer Service



Made for Australian  
Families

## DOREL AUSTRALIA PTY LTD

Warehouse 2, 30 Taras Avenue, Altona North, VIC 3025.

**Email:** [customerservice@dorel.com.au](mailto:customerservice@dorel.com.au)

**Phone:** 1300 809 526 (toll free)

Hours: 8:30 am - 5:00 pm Mon-Fri

## IGC DOREL NEW ZEALAND LTD

14 Sir William Avenue East, Tamaki Auckland 2013

**Email:** [customerservice@dorel.co.nz](mailto:customerservice@dorel.co.nz)

**Phone:** 0800 628 000 (toll free)

Hours: 8:00 am - 5:00 pm Mon-Fri



Specifications are subject to change without notice. Copy or reproduction without permission is prohibited. © 2020 Dorel Australia Pty Ltd. All Rights Reserved. 07/24\_A

[www.motherschoice.com.au](http://www.motherschoice.com.au)