



Strand

Highchair

6M - 3Y

Instruction
Manual



Illustrations and designs may vary.

Welcome to the Mother's Choice family

Congratulations on the purchase of your brand new
Strand Highchair.

Protecting Australian families for 50 years

Iconic, affordable, practical, sincere - Australian nursery brand Mother's Choice has been providing quality nursery products to mothers for 50 years. From bouncers to car seats, strollers to highchairs, Mother's Choice baby products are accessible and reassuring, caring and safe – qualities we value above keeping up with trends.

In essence, Mother's Choice is security and comfort, striving to always provide the best for mother and child. We're not the flashiest, but Mother's Choice delivers on longevity, practicality and innovation, without compromise. We have been around for a long time and we plan to be around for even longer. Continuously bringing you good quality smart products that make your life as a mum just a little bit easier.

motherschoice.com.au



Contents

Warnings.....	4
What's in the box	7
Assembly	8
How to use	13
Using the harness	13
Adjusting the legs	14
Reclining.....	15
Adjusting the footrest	16
Adjusting the tray.....	16
Folding.....	17
Care and maintenance	18
Warranty	21



WARNINGS



IMPORTANT! READ CAREFULLY AND KEEP FOR FUTURE REFERENCE.

General instructions

Our products have been carefully designed and tested to ensure your baby's safety and comfort.

Maintenance:

Remember that all mechanical products need regular maintenance and careful use if they are to provide maximum satisfaction and last a long time.

Fabric:

Before cleaning check the label sewn into the fabric, you will find the wash symbols indicating the method of washing each item.



USE IN HIGH-CHAIR VERSION

Our products have been carefully designed and tested to ensure your baby's safety and comfort. EN14988:2017+A1:2020.
- Children's high chairs.

This product is intended for children able to sit up unaided and up to 3 years or a maximum weight of 15 kg.

WARNING:

- Assembled by adult
- Never leave the child unattended.
- Always use the restraint system.
- Falling hazard: Prevent your child from climbing on the product.
- Do not use the product unless all components are correctly fitted and adjusted.
- Be aware of the risk of open fires and other sources of strong heat in the vicinity of the product.
- Be aware of the risk of tilting when your child can push its feet against a table or any other structure.

1. Do not use the product until the child can sit up unaided;
2. Do not use the product if any part is broken, torn or missing;



WARNINGS



3. Please keep children away when unfolding and folding the product to avoid injury;
4. This High Chair is intended for children able to sit up unaided and up to 3 years or a maximum weight of 15 kg.
5. Keep children away when unfolding and folding the product to avoid injury.
6. Always apply the parking device when the product is not being moved.
3. To prevent the risk of tipping, the baby chair should never be carried by two persons.
4. Clean the baby chair regularly.
5. For washing the garment, please consult the instruction label.
6. To facilitate reassembly, be sure to make a note of how the different parts fit together before dismantling the product. Do not iron. Remember that all mechanical products need regular maintenance and careful use if they are to provide maximum satisfaction and last a long time.

To avoid danger of suffocation remove any plastic cover before using articles, this cover should then be destroyed or kept away from babies and children. This bag could contain a moisture absorbing sachet. This must be destroyed. Do not swallow it. Keep away from the reach of children.

Additional advice

1. In order to develop his or her motor skills, remember to give the child a small toy to play with when in the baby chair between meal times.
2. Do not leave the child in the baby chair for very long periods: 1.5 hours max.
7. Never let the child sleep in this product. This product does not replace a cot or a crib. Should the child fall asleep, then it should be placed in a suitable cot or crib. Always verify that the crotch strap and harness are correctly adjusted and locked even if the child is set for a short time.



WARNINGS



8. Be sure to check that your childcare article does not contain any loose screws or any other part which might injure the child or catch or trap his or her clothing (ribbon, dummy, necklace etc...), and thus cause strangulation.
9. Check that the locking mechanisms are correctly engaged and adjusted before using your childcare article.
10. Ensure that your childcare article is on a solid surface and is positioned at a safe distance from any device capable of producing an open flame, sources of intense heat, electrical sockets, extension leads, cookers, stoves... etc, or any object within the child's reach.
11. Do not use accessories or replacement parts other than those approved by the manufacturer. Using other accessories can be dangerous.
12. To avoid the risk of suffocation, keep all plastic bags and packaging out of reach of babies and young children.

Maintenance:

To facilitate reassembly, be sure to make a note of how the different parts fit together before dismantling the product.

What's in the box

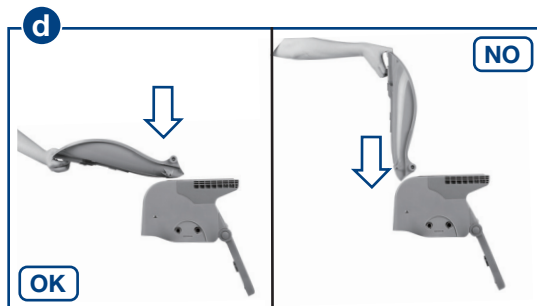
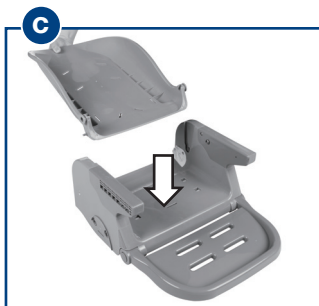
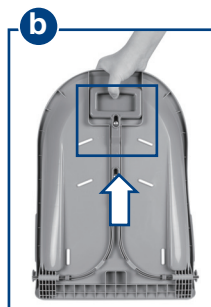
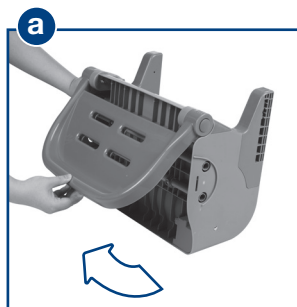


x4

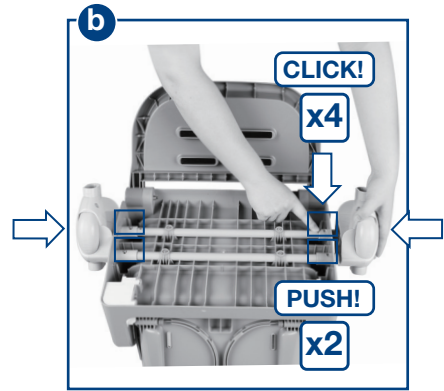
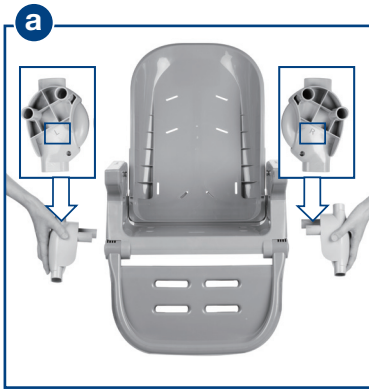


Assembly

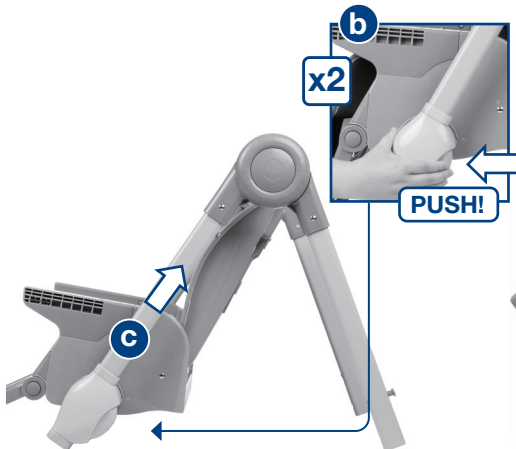
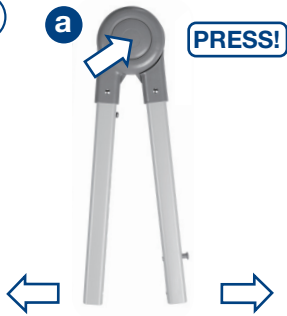
①



2

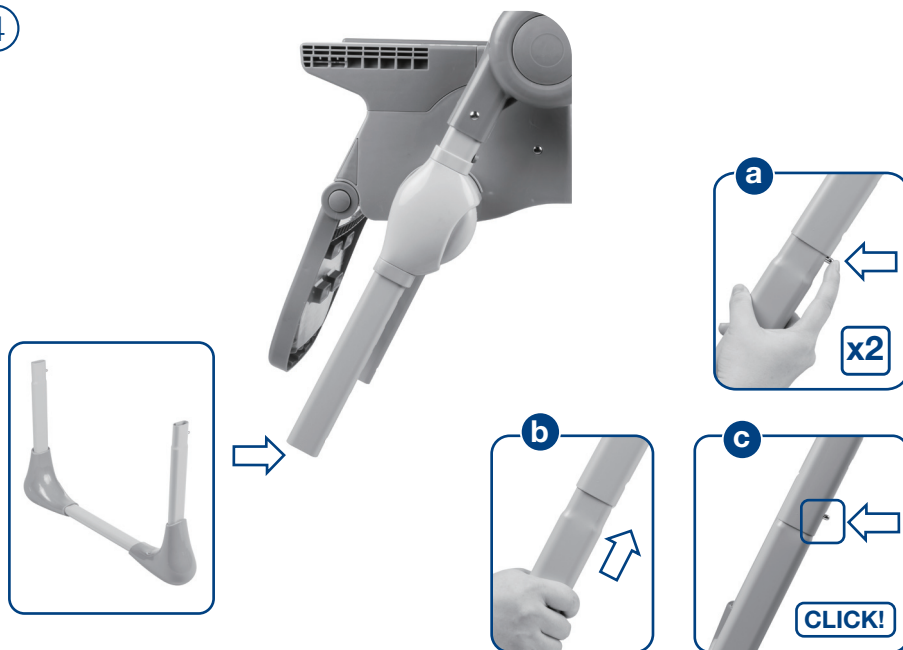


3

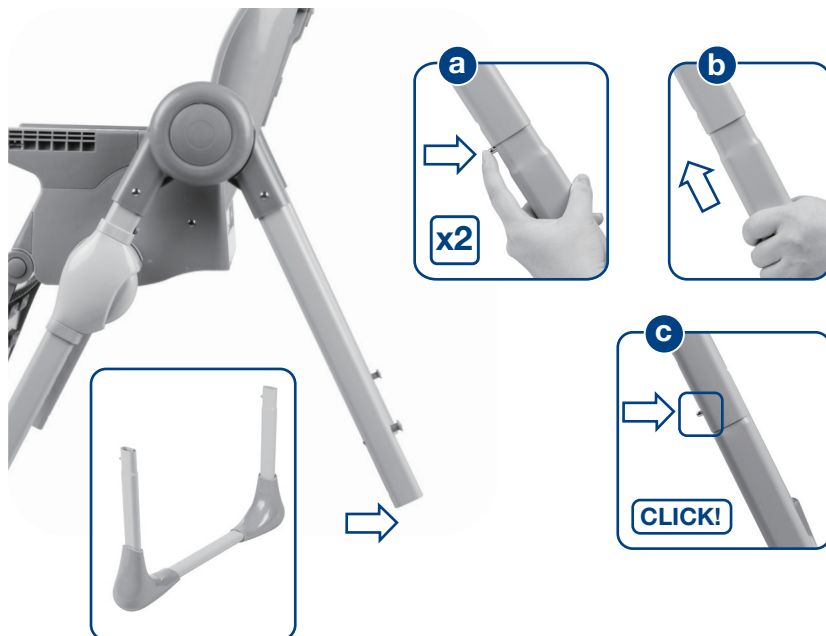


Assembly

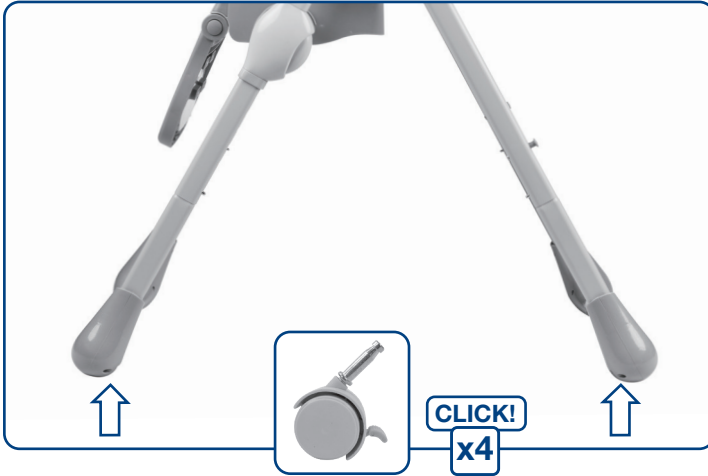
4



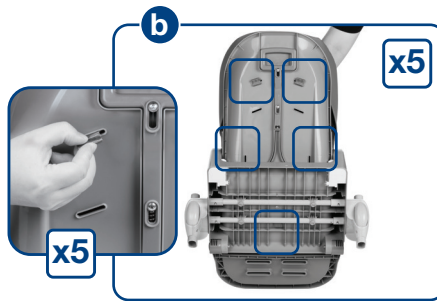
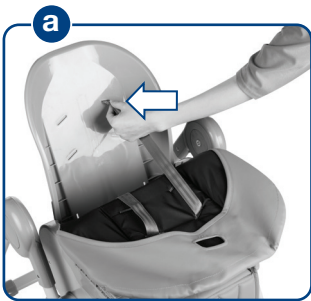
5



6

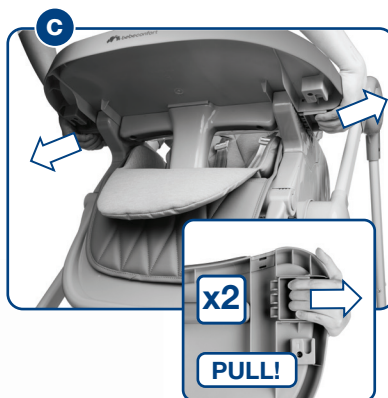
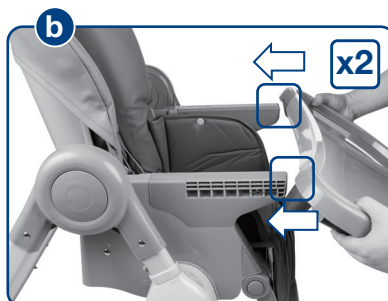
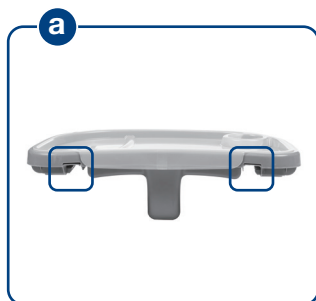


7



Assembly

8



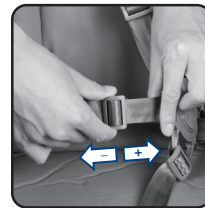
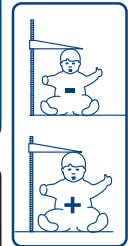
Using the harness

1

a



b



WARNINGS



- Use this harness at all times
- A five-point harness is provided to secure your child
- When not in use disconnect shoulder straps from the waist strap and buckle

Adjusting the legs

①



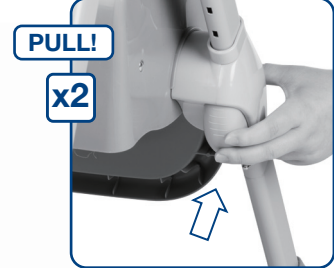
②



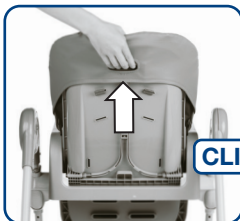
③



4



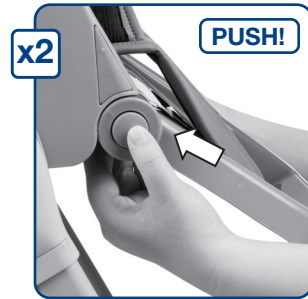
Reclining



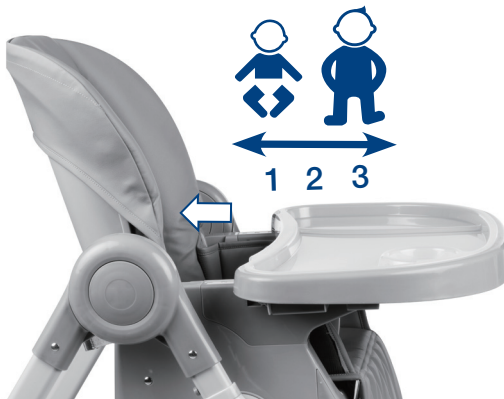
CLICK!



Adjusting the footrest



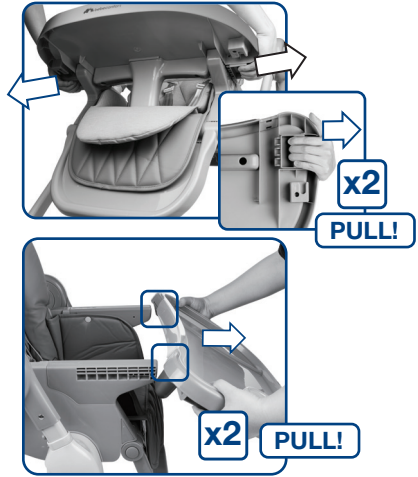
Adjusting the tray



Folding

1

a

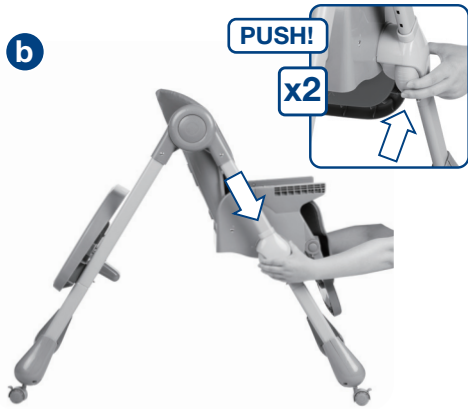


2

a



b



3

a

x2



b

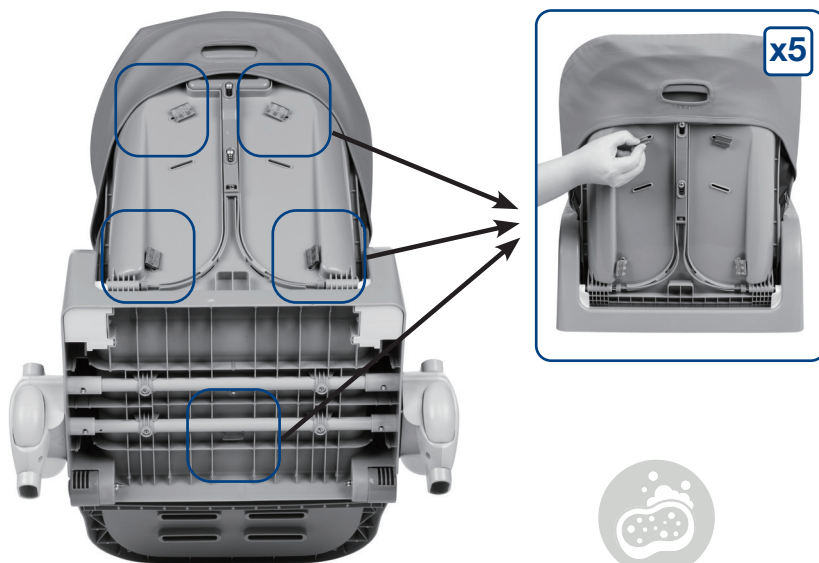


c



Care and maintenance

①



②



3



4



5



Care Instructions

- Always store in a clean and dry place.
- Clean the frame by wiping with a damp cloth.
- Do not use abrasives, bleach, or strong detergents.
- Spot clean fabrics with warm water and mild soap.
- Ensure fabric is dry before storing.
- Occasionally clean and lubricate wheels with a light lubricating oil.
- Regularly check for loose parts and tighten when required.
- Damaged or broken parts should be immediately replaced.

Warranty

Our 12 months warranty reflects our confidence in the high quality of our design, engineering, production and product performance. We confirm that this product was manufactured in accordance with the current European safety requirements and quality standards which are applicable to this product, and that this product is free from defects on materials and workmanship at the time of purchase. Under the conditions mentioned herein, this warranty may be invoked by consumers in the countries where this product has been sold by a subsidiary of the Dorel Group or by an authorised dealer or retailer. Our 12 months warranty covers all manufacturing defects in materials and workmanship when used in normal conditions and in accordance with our user manual for a period of 12 months from the date of the original retail purchase by the first end-user customer. To request repairs or spare parts under our warranty for defects in materials and workmanship you must present your proof of purchase, made within the 12 months preceding the service request. Our 12 months warranty does not apply to defects caused by normal wear and tear, damage caused by accidents, abusive use, negligence, fire, liquid contact or other external cause, damage which is the consequence of failing to comply with the user manual, damage caused by use with another product, damage caused by service by anyone who is not authorised by us, or if the product is stolen or if any label or identification number has been removed from the product or has been changed. Examples of normal wear and tear include wheels and fabric worn down by regular use and the natural breakdown of colours and materials due to normal aging of the product.

What to do in case of defects: Should problems or defects arise, your first point of contact is the authorised dealer or retailer recognised by us. Our 12 months warranty is recognised by them¹. You must present your proof of purchase, made within the 12 months preceding the service request. It is easiest if you get your service request pre-approved by us. If you submit a valid claim under this warranty, we may request that you return your product to the authorised dealer or retailer recognised by us or that you ship the product to us in accordance with our instructions. We will pay for shipment and for return freight if all instructions are followed. Damage and/or defects neither covered by our warranty nor by the legal rights of the consumer and/or damage and/or defects with respect to products that are not covered by our warranty can be handled at a reasonable fee. Rights of the consumer: A consumer has legal rights pursuant to applicable consumer legislation, which may vary from country to country. The rights of the consumer under applicable national legislation are not affected by this warranty.

¹ Products purchased from retailers or dealers that remove or change labels or identification numbers are considered unauthorised. Products purchased from unauthorised retailers are also considered unauthorised. No warranty applies to these products since the authenticity of these products cannot be ascertained.



DOREL AUSTRALIA PTY LTD

Warehouse 2, 30 Taras Avenue,
Altona North, VIC 3025.

Email: customerservice@dorel.com.au

Phone: 1300 809 526 (toll free)

Hours: 8:30 am - 5:00 pm Mon-Fri

IGC DOREL NEW ZEALAND LTD

14 Sir William Avenue
East Tamaki Auckland 2013

Email: customerservice@dorel.co.nz

Phone: 0800 628 000 (toll free)

Hours: 8:00 am - 5:00 pm Mon-Fri



Specifications are subject to change without notice. Copy or reproduction without permission is prohibited. © 2023 Dorel Australia Pty Ltd. All Rights Reserved.

www.motherschoice.com.au
28017, 28021 | 10/24_B