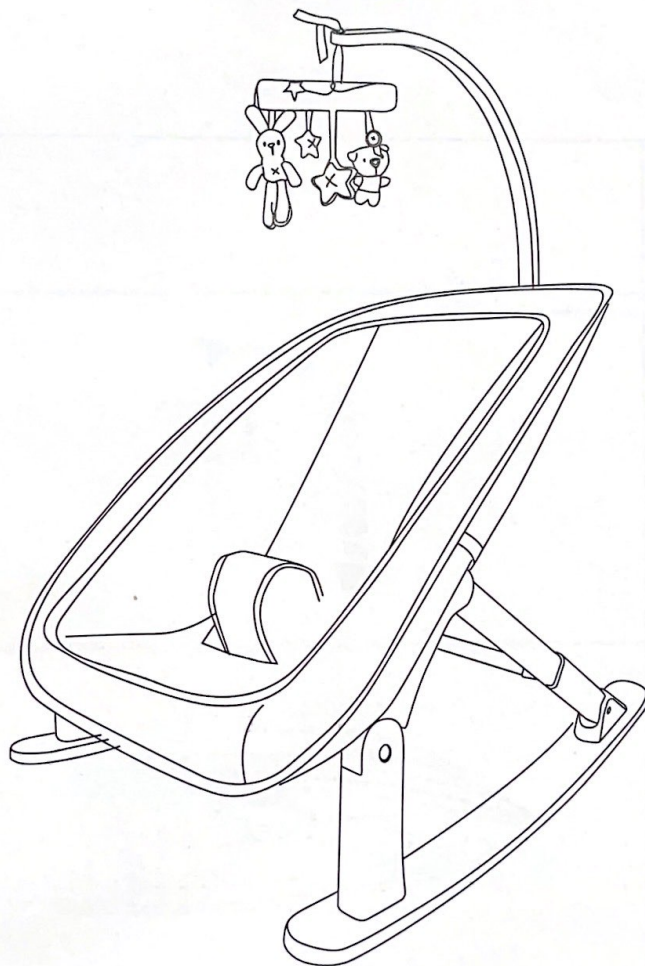


*Edinburgh*

DELUXE ROCKER

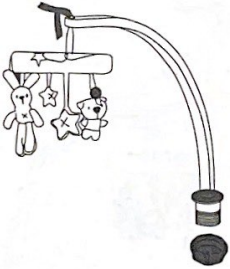
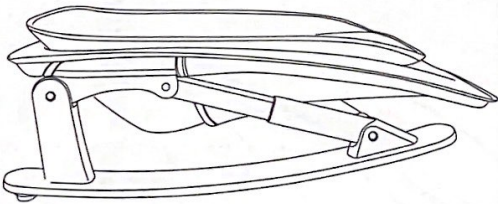


4016825

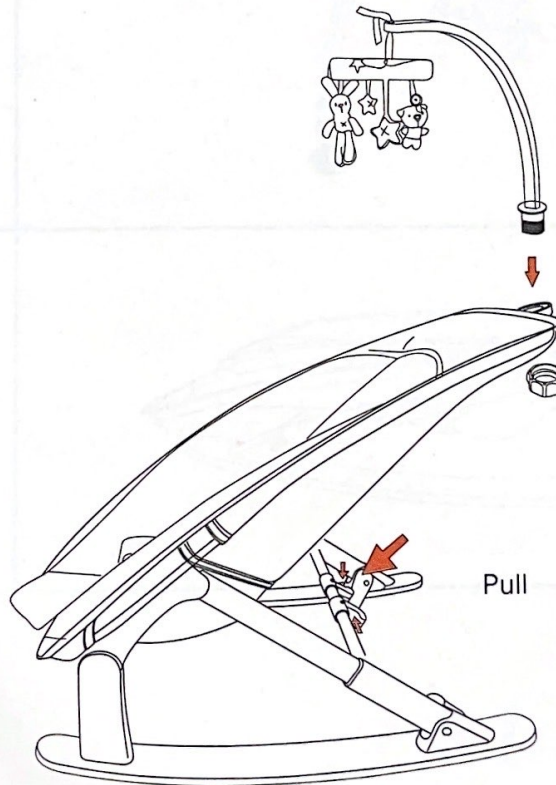
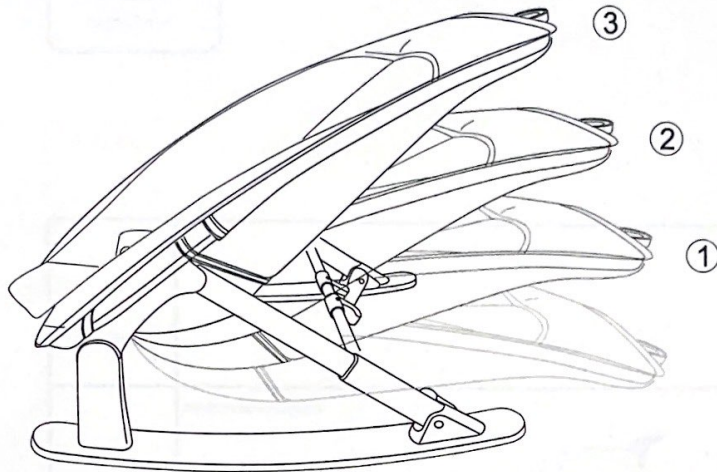
IMPORTANT! KEEP FOR FUTURE REFERENCE

# Assembly instructions

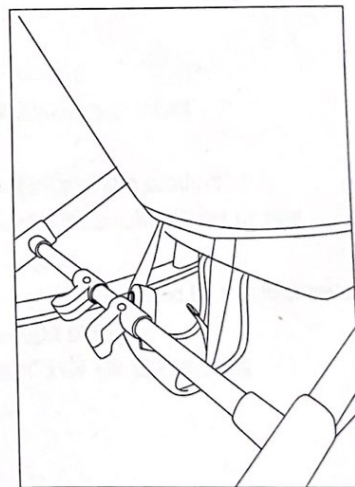
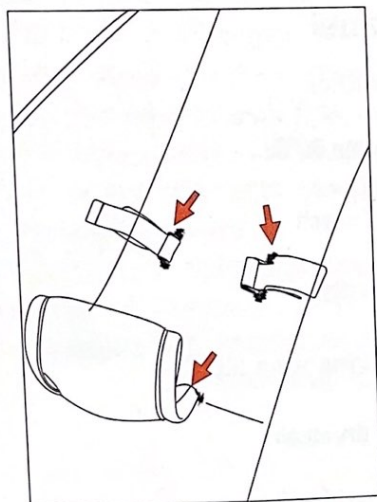
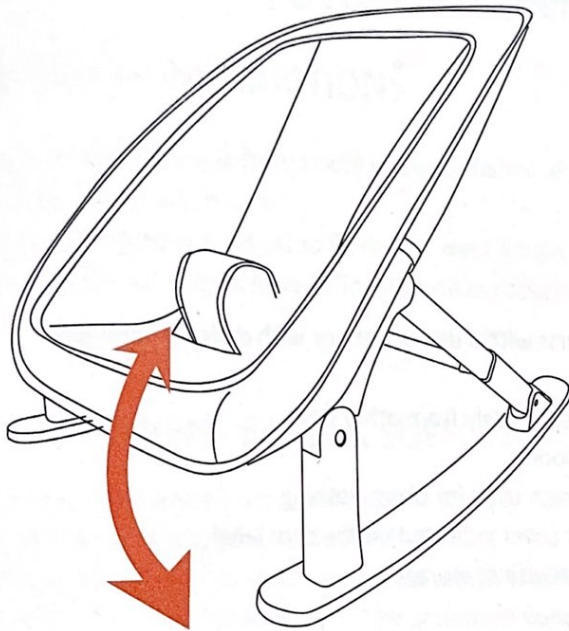


No°	item	# pieces
1	 <p>frame pre-assembled</p>	x1
2		x1

# Assembly instructions



# Assembly instructions



## Maintenance

This product requires regular maintenance by the user

Never force the mechanisms or movable parts. If in doubt, check the instructions first

Do not store the product when still wet and do not leave it in damp environments as mould may form

## Cleaning

Please clean the wood, plastic, & metal parts with a damp cloth or with delicate detergent

Do not use solvents, ammonias, or petrol

We recommend washing the fabric cover separately from other parts

Please take off the fabric cover from the wood

Freshen up the fabric periodically with a brush used for clean clothing

Please observe the rules for cleaning fabric cover indicated on the care label

Please dry the fabric cover entirely before re-use or storage

### care label

washing instruction



Max temp.30°C



Do not bleach



Hang to dry



Max ironing temp.110°C



Do not dry clean



Do not tumble dry

**Made in China**

**IMPORTANT! READ AND  
FOLLOW THESE INSTRUCTIONS  
CAREFULLY AND KEEP FOR  
FUTURE REFERENCE.**

**! SAFETY INSTRUCTIONS**

Fall Hazard: Babies have suffered skull fractures falling while in & from rockers  
User rocker ONLY on the floor

ALWAYS use restraints & adjust to fit snugly, even if baby falls asleep

Suffocation Hazard: Babies have suffocated when rockers have fallen on soft surfaces

**TO PREVENT FALLS & SUFFOCATION**

STOP using rocker when baby starts trying to sit up or has reached 9kg

WARNING: Never leave baby unattended

WARNING: Do not use the rocker once baby can sit unaided

WARNING: This rocker is not intended for prolonged periods of sleeping

WARNING: It is dangerous to use this rocker on elevated surfaces

WARNING: Always use the restraint system

WARNING: Do not let children play with this product

WARNING: Do not lift this product with the baby inside

WARNING: Do not use the product if any part is broken, torn, or missing

WARNING: To avoid suffocation danger, dispose plastic cover before using product

WARNING: Never use the toy bar to carry the product

WARNING: Be aware the risk of open fires, heaters, etc in close vicinity of the product

The rocker does not replace a cot or bed. If the baby needs to sleep. Use a suitable cot or bed

Do not use spare parts other than those approved by the manufacturer

The manufacturer's warranty is not transferable & therefore may only be invoked by the first owner

The rocker is suitable for babies aged up to 9 months & a Max weight of 9kg

CONFORMS TO THE SAFETY REQUIREMENTS OF EN 12790:2009

