



Conforms to EN1930:2011

INSTRUCTIONS

AVA

SECURITY GATE

F2094 F2097 F9330 F9334
F2095 F2098 F9331 F9335
F2096 F2099 F9332 F9336
F2199

Item numbers may also end in BB.

IMPORTANT! READ AND FOLLOW THESE INSTRUCTIONS CAREFULLY AND KEEP FOR FUTURE REFERENCE

If you sell or give away this product, make sure you give this instruction to the new owner.



WARNING

WARNING - Incorrect installation can be dangerous.

WARNING - Do not use the safety barrier if any components are damaged or missing.

WARNING - The safety barrier must not be fitted across windows.

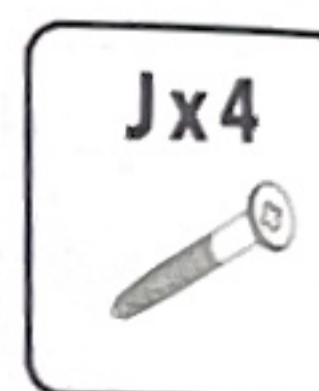
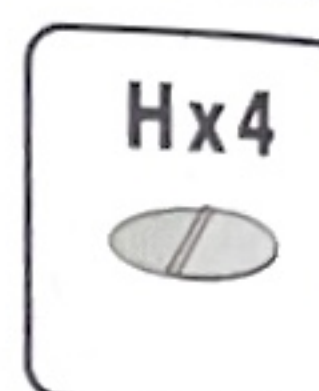
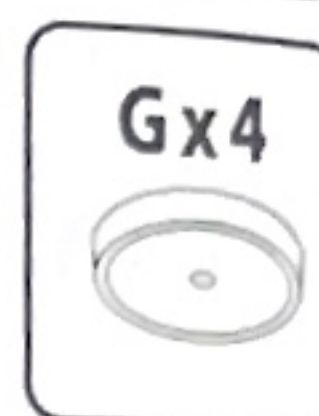
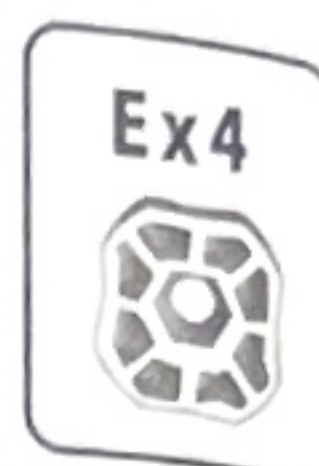
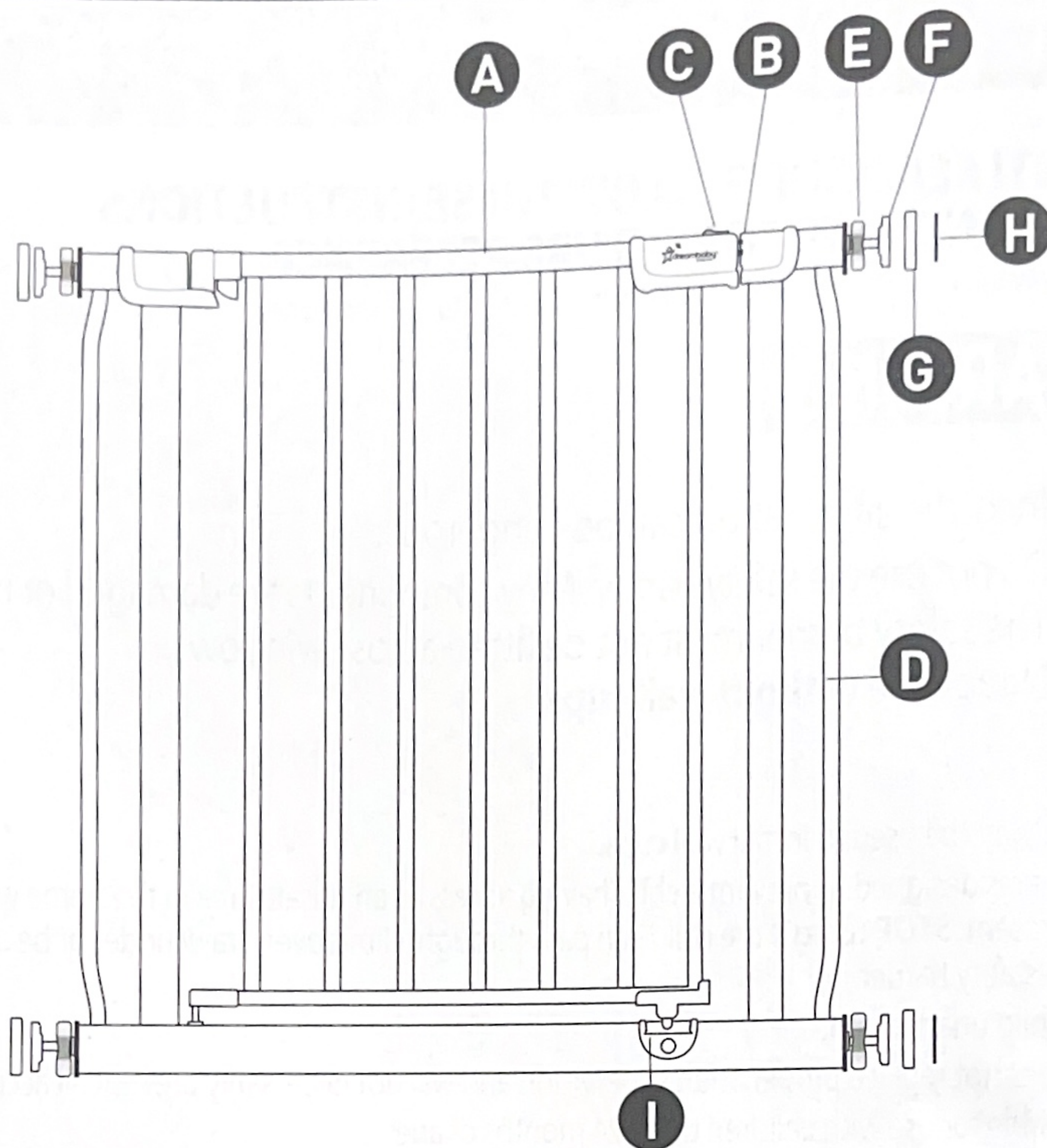
WARNING - **Never use without wall cups.**

- Screws **MUST** always be used to install wall cups.
- This safety barrier is designed to prevent a child having access to an unsafe area in the home with hazards, such as stairs present. **STOP** using if the child can pass through, climb over, crawl under or be able to open or dislodge this safety barrier.
- Never leave a child unattended.
- This product does not replace proper adult supervision and will not necessarily prevent all accidents.
- This gate is suitable for use with children up to 24 months of age.
- Not every child is the same. If your child of less than 24 months is able to pass through, climb over, crawl under or able to open or to dislodge the safety barrier, then the safety barrier can't be used to provide the assumed protection.
- This gate is for domestic use only.
- This safety gate has manual close system.
- The surfaces that the gate is to be fixed to must be suitable for the purpose and must be structurally sound.
- This gate is intended for indoor use and is not to be exposed to outdoor elements.
- Install this gate away from heaters and other sources of heat.

CAUTION: With any pressure mounted gate, a construction bar is required across the base. Note, this bar can be a tripping hazard. If you choose to position a pressure mounted gate at the top of stairs, use extra caution to step over this bar to prevent trips and falls.

Can be used in conjunction with a Dreambaby® Watch-the-Step® Gate Ramp (F837) to help avoid tripping.

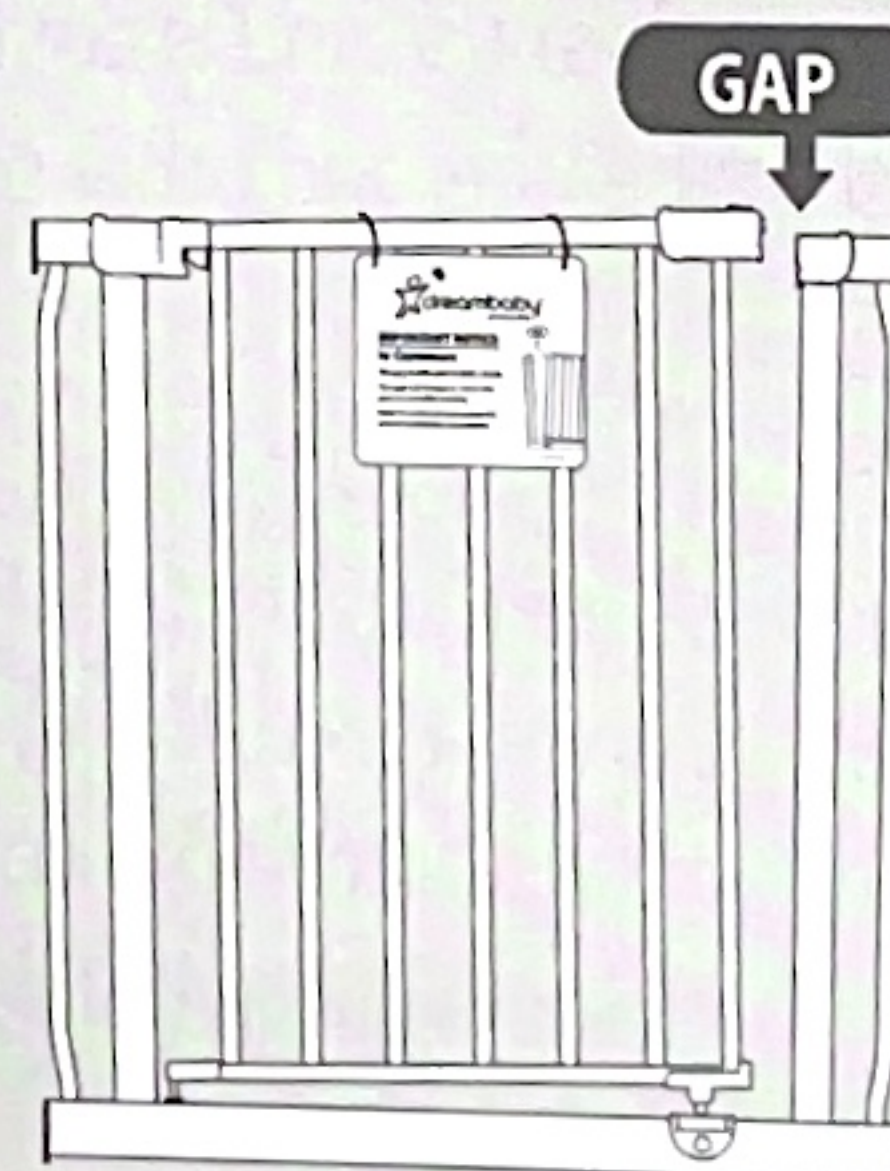
PARTS LIST



Wood Screws
Wood use only

- A** Gate Panel
- B** Upper Locking Set
- C** Release Switch
- D** Gate Frame
- E** Tension Knobs
- F** Bolts with Rubber Pads
- G** Wall Cups
- H** Double-sided Adhesive Tape
- I** Lower Locking Set
- J** Wood Screws

NOTICE TO CUSTOMERS



THE GAP IN THIS GATE IS NOT A FAULT.

The gap will disappear when the gate is correctly installed.

PLEASE INSTALL GATE ACCORDING TO MANUFACTURER'S INSTRUCTIONS.

WARNING: This package contains small parts and sharp points in an unassembled state. Keep out of reach of children. Adult assembly required.

INSTALLATION

1. Measure the width of the opening of where you intend to install the gate.

For wider openings select the appropriate Gate Extension(s), sold separately.



Ensure the surface you are mount the gate is structurally sound such as solid timber, brick or masonry. For plaster/gyprock surface, locate the timber beam or stud behind and mount in this location (mounting on plaster/gyprock alone is not strong enough and not safe).

DO NOT MOUNT TO GLASS.

F9334 / F9335 / F9336

61 - 68cm / 24 - 26.5in



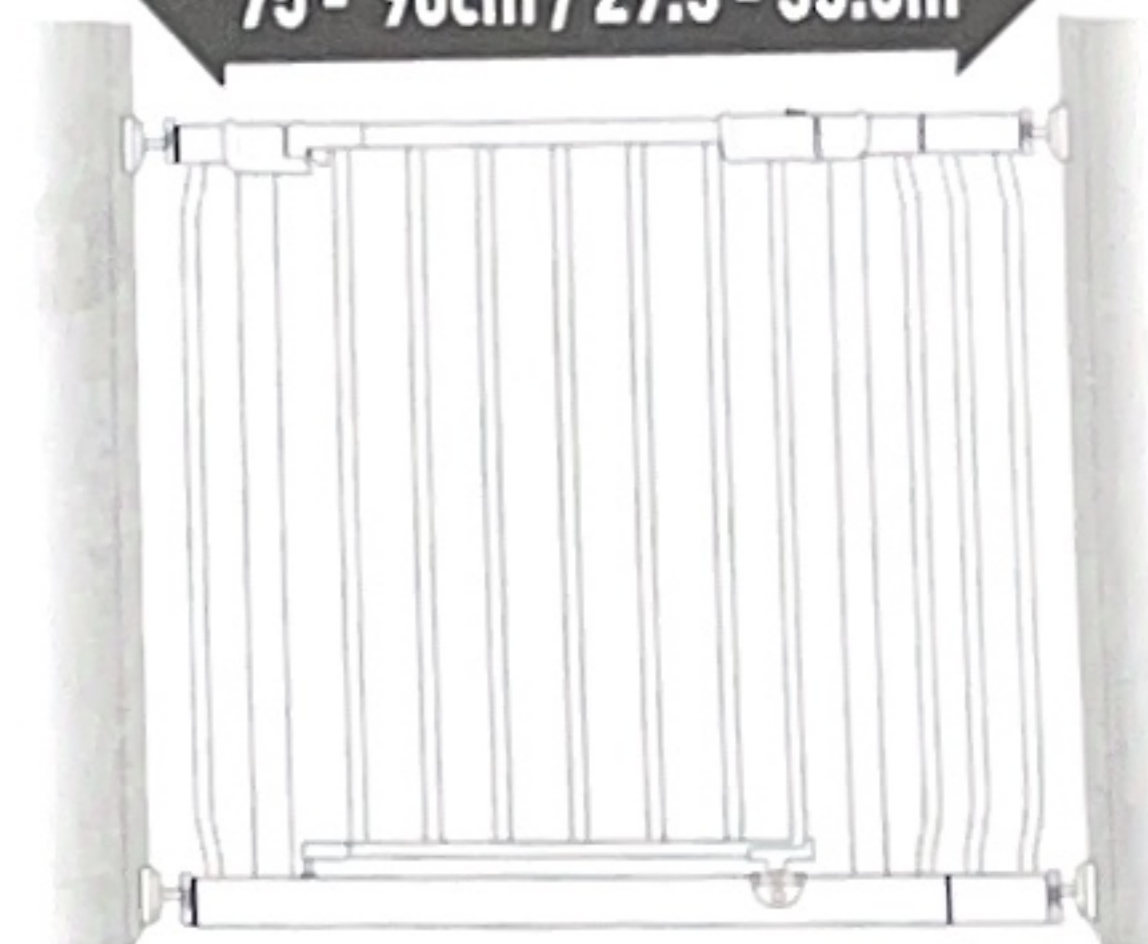
F2094 / F2095 / F2096

75 - 81cm / 29.5 - 32in



F2099

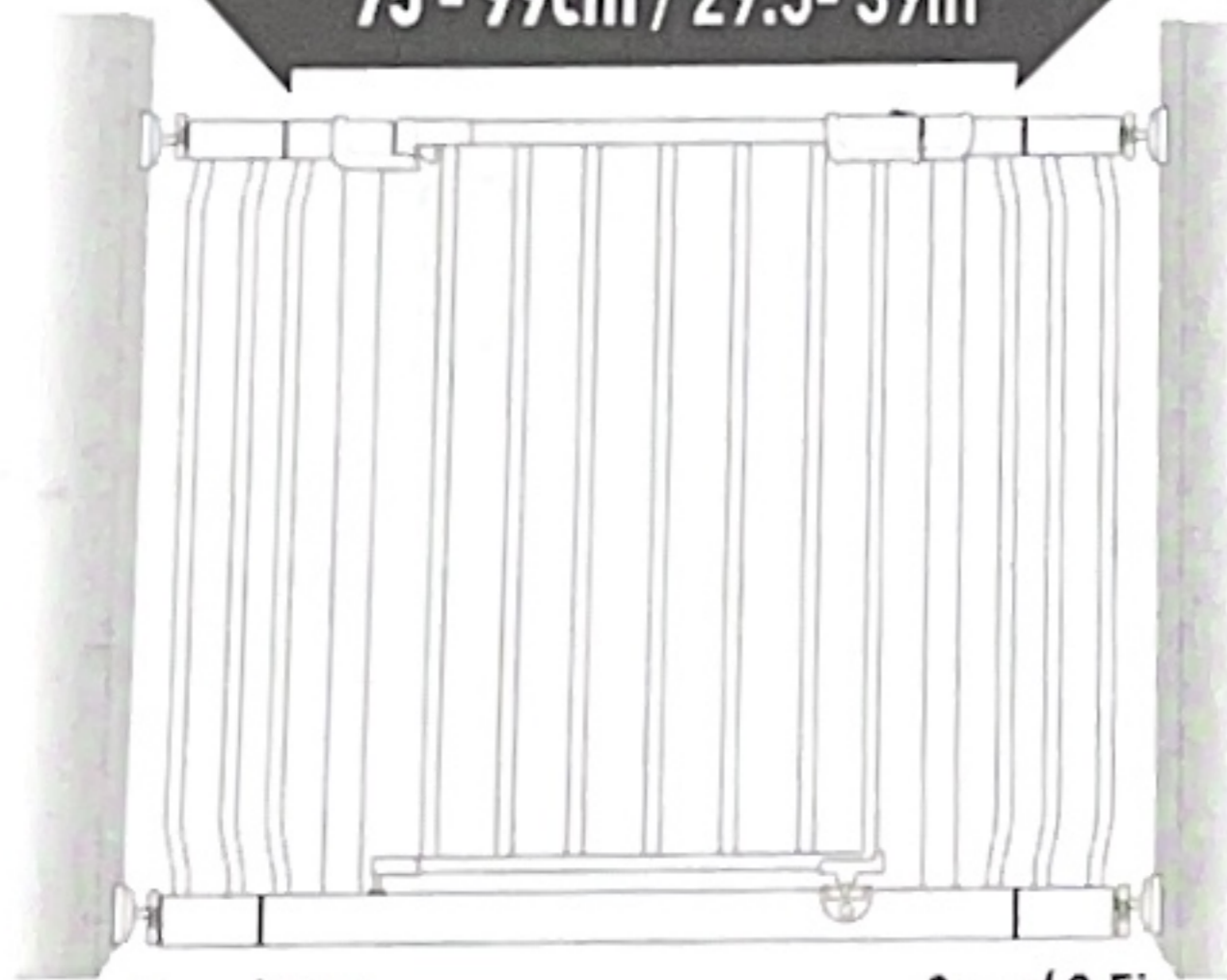
75 - 90cm / 29.5 - 35.5in



9cm / 3.5in

F2097 / F2098 / F2199

75 - 99cm / 29.5 - 39in

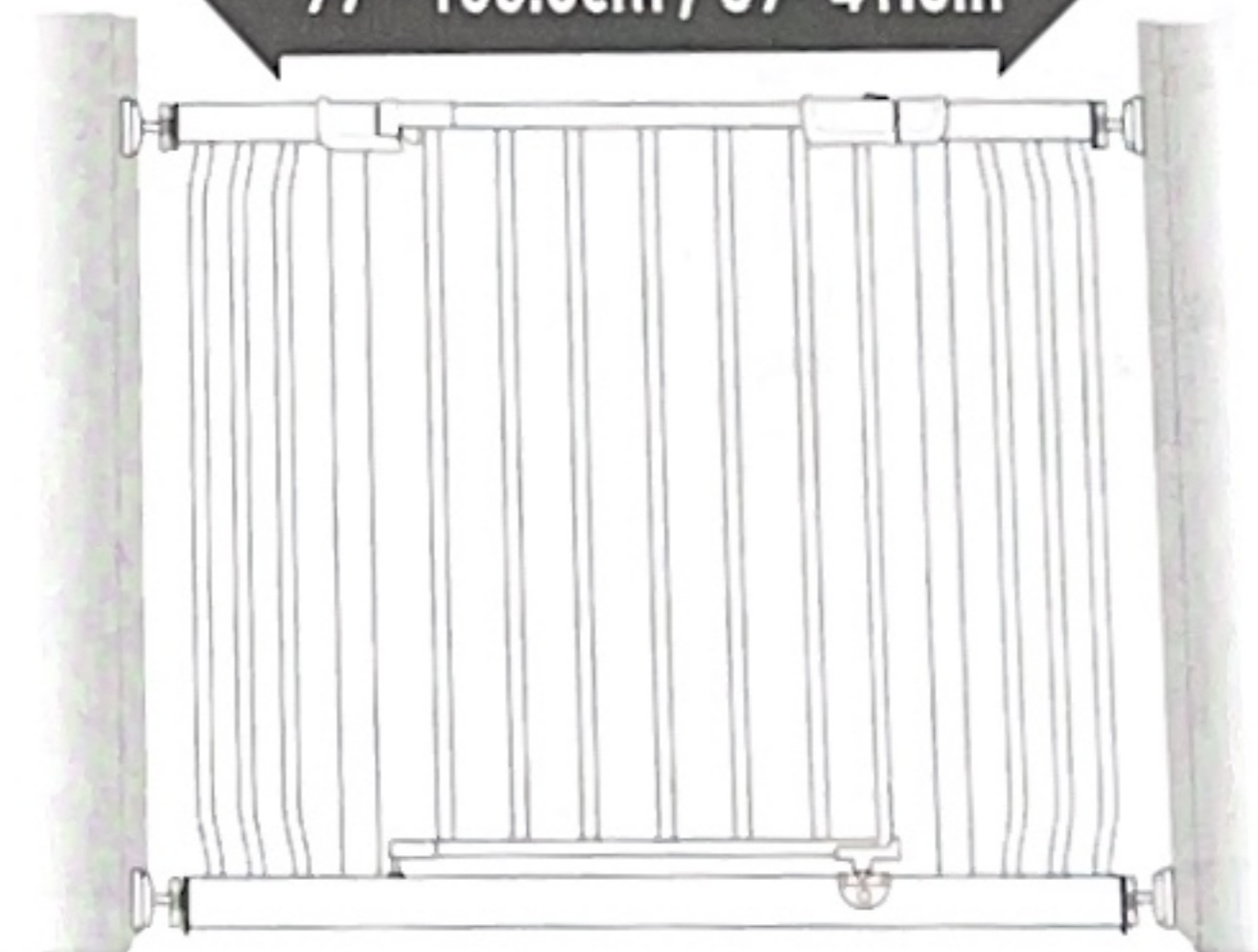


9cm / 3.5in

9cm / 3.5in

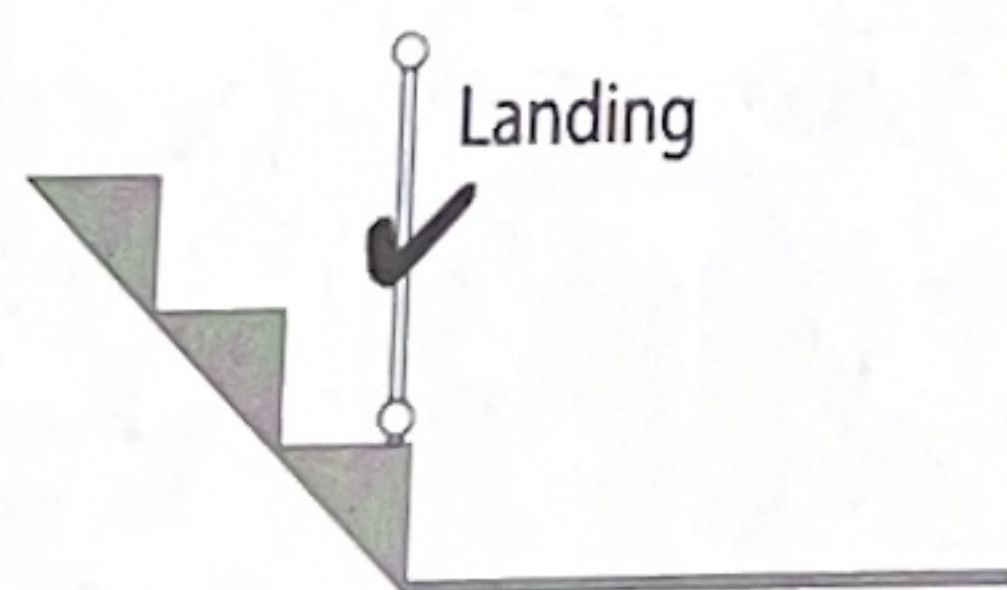
F9330 / F9331 / F9332

99 - 105.5cm / 39 - 41.5in



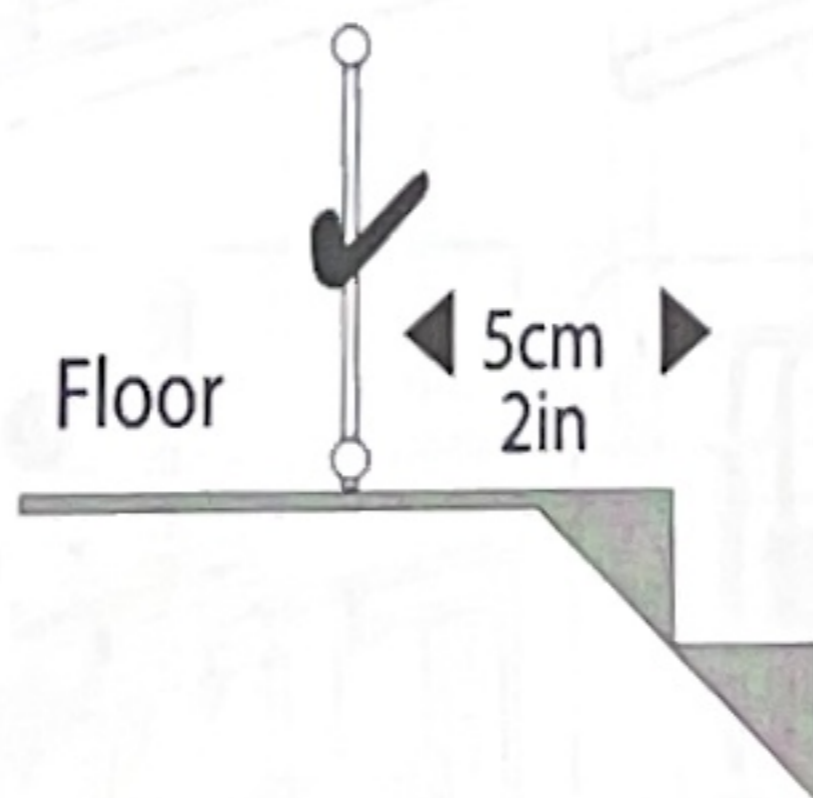
! For use on stairs

! Bottom of stairs



If the safety barrier is used at the bottom of the stairs, it should be positioned at the front of the lowest tread possible.

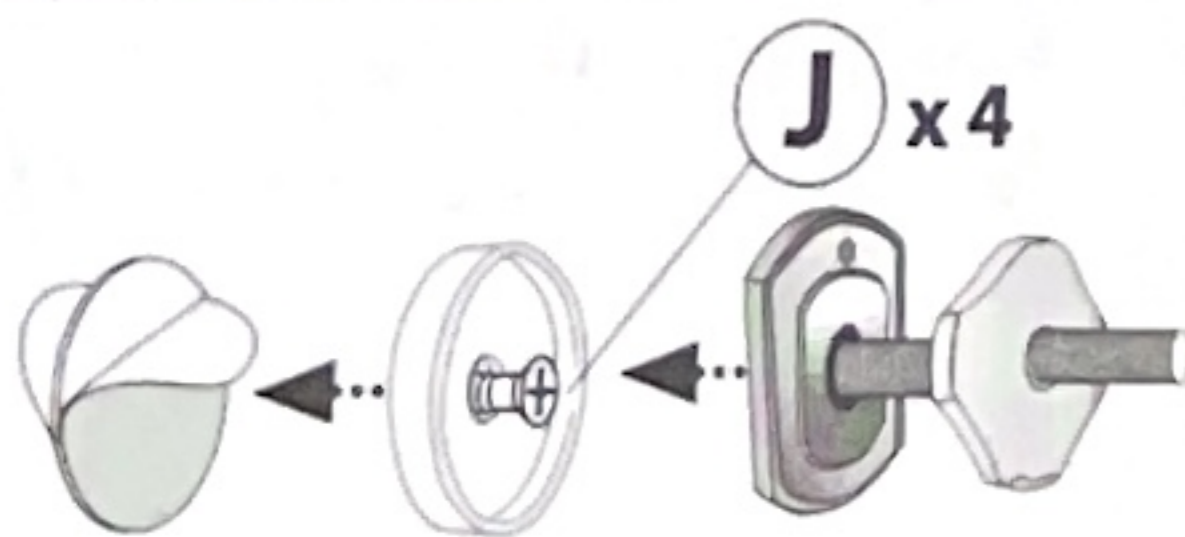
! Top of stairs



If the safety barrier is used at the top of stairs, it should not be positioned below the top level. At the top of landing, position the gate 5cm / 2in away from the top step.



! Always open door AWAY from stairs.



J x 4

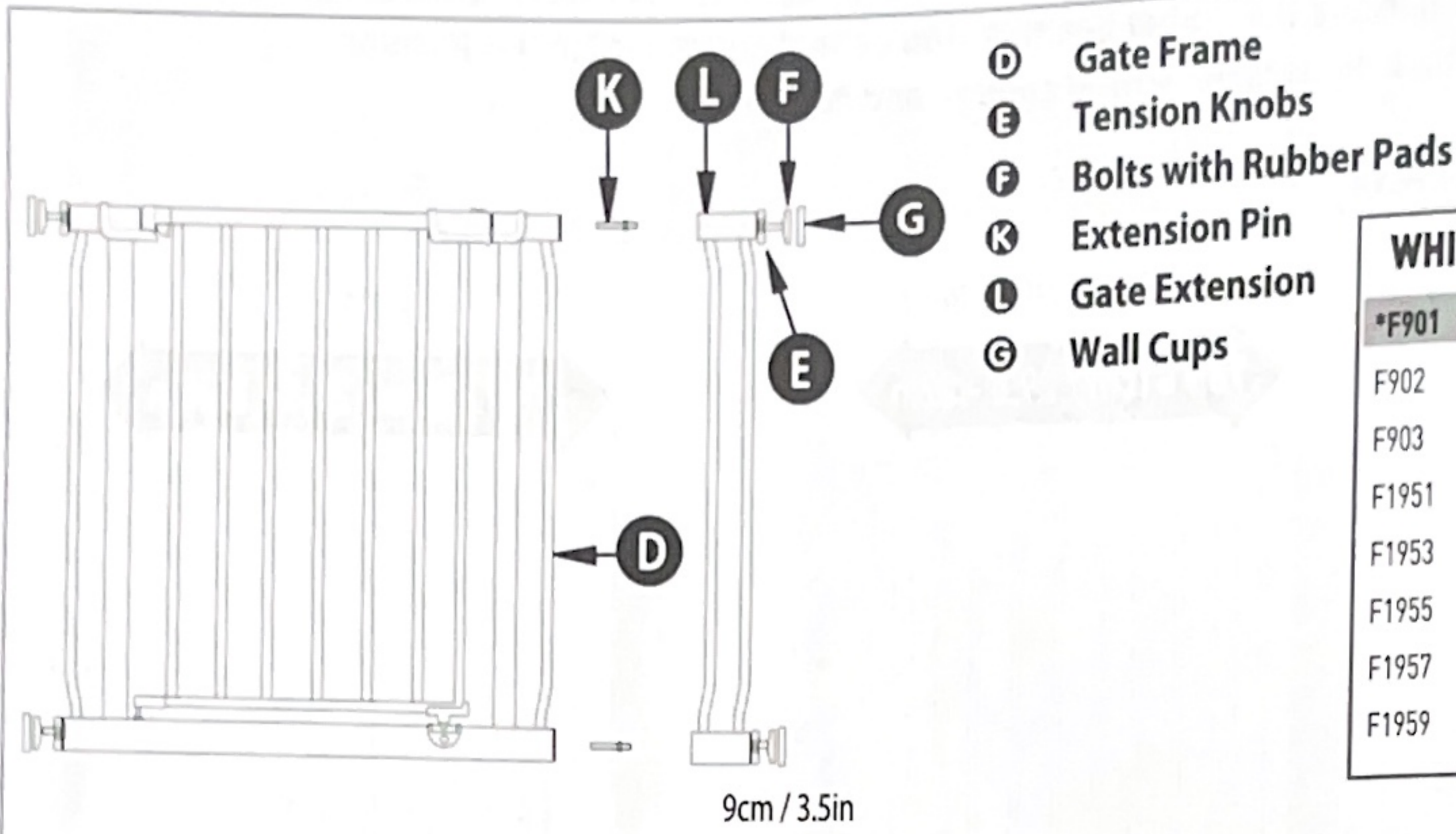


Never use without wall cups. Screws **MUST** always be used to install wall cups.

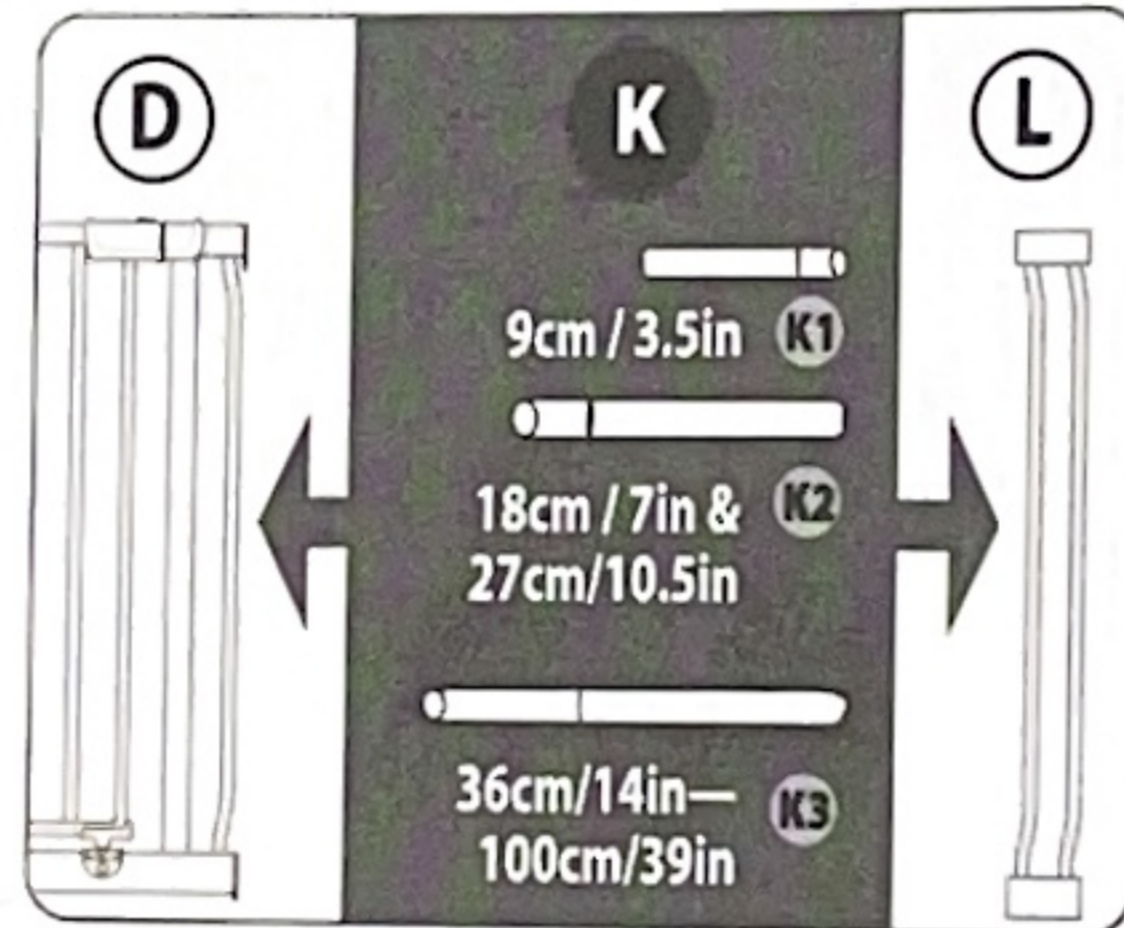
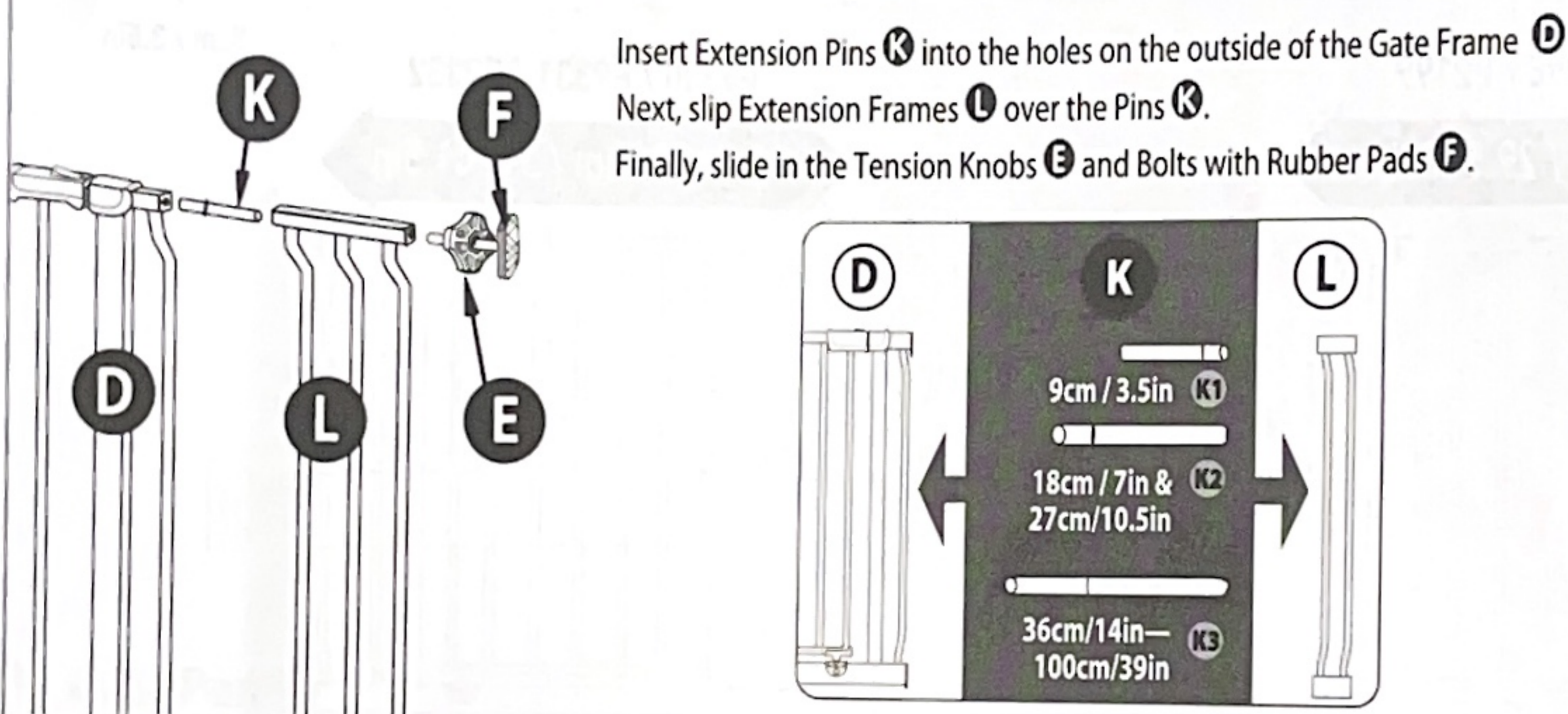
INSTALLATION ADDING EXTENSION FRAMES

GATE EXTENSIONS sold separately.

2. To use with Gate Extensions (sold separately).



WHITE		CHARCOAL	
*F901	- 9cm(3.5in)	*F1932	- 9cm(3.5in)
F902	- 18cm(7in)	F1933	- 18cm(7in)
F903	- 27cm(10.5in)	F1934	- 27cm(10.5in)
F1951	- 36cm(14in)	F1935	- 36cm(14in)
F1953	- 45cm(17.5in)	F1937	- 45cm(17.5in)
F1955	- 54cm(21in)	F1938	- 54cm(21in)
F1957	- 63cm(24.5in)	F1939	- 63cm(24.5in)
F1959	- 100cm(39in)	F1940	- 100cm(39in)



!

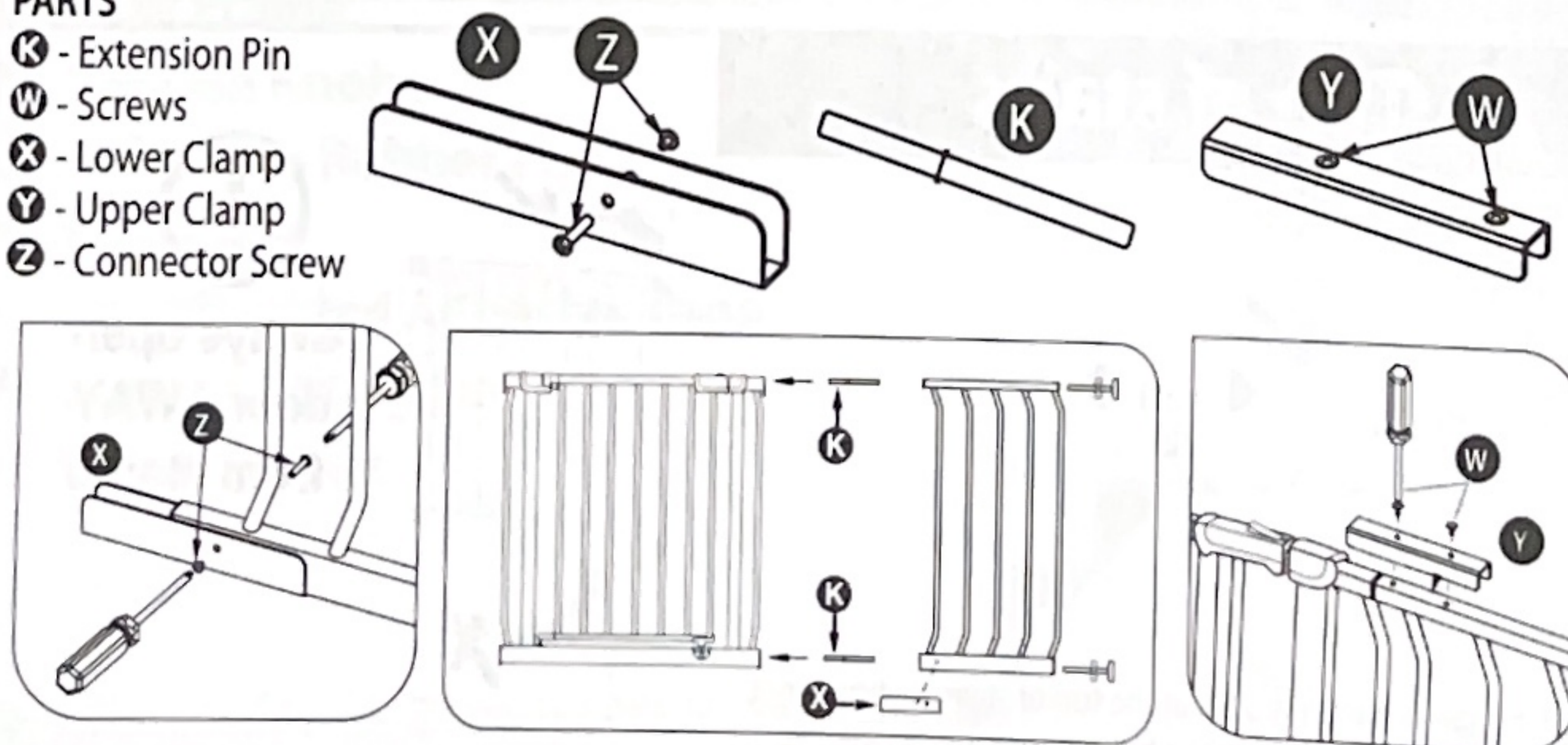
*** 9cm/3.5in**

Insert **LONG END** of EXTENSION PIN (**K**) into Gate Frame

For Extensions over 27cm / 10.5in

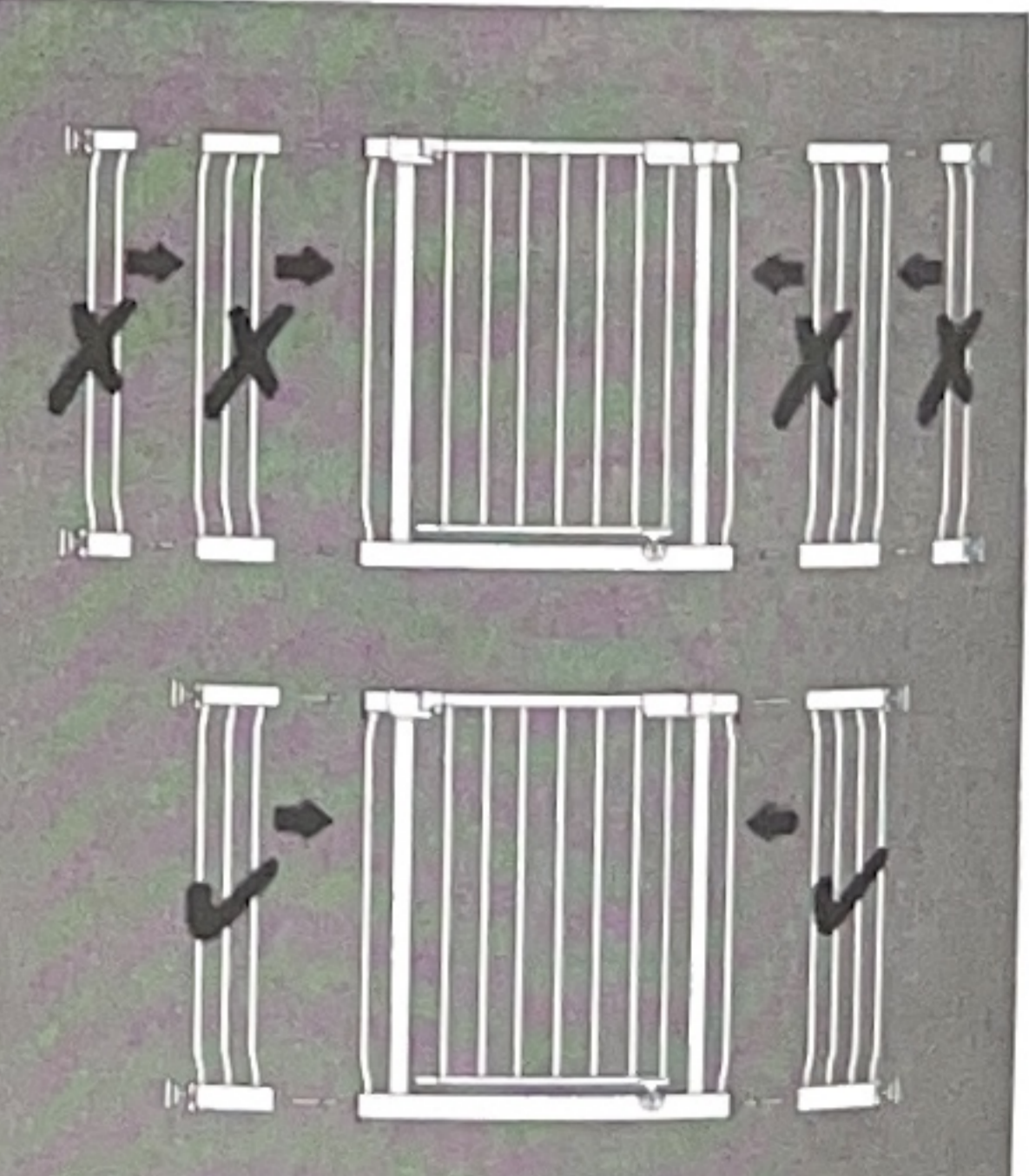
PARTS

- K** - Extension Pin
- W** - Screws
- X** - Lower Clamp
- Y** - Upper Clamp
- Z** - Connector Screw



INSTRUCTIONS:

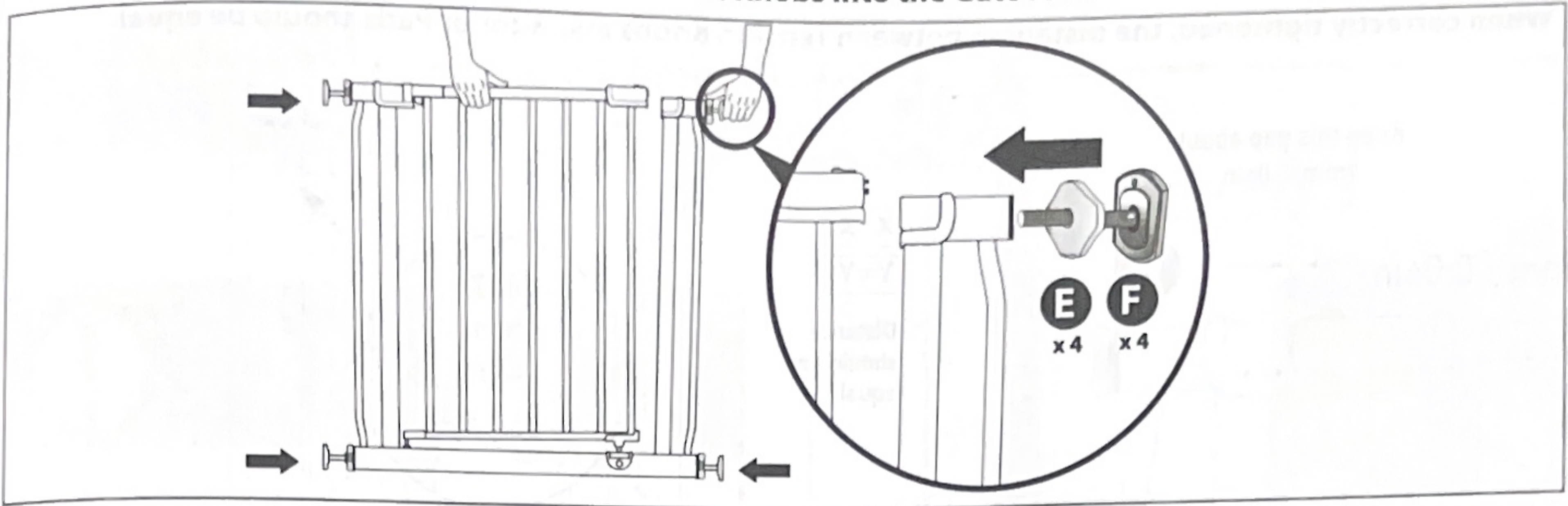
1. Install Lower Clamp **X** onto bottom of gate extension using **Z**.
2. Insert short end of Extension Pin **K** into gate frame.
3. Slip the gate extension over pin.
4. Screw Upper clamp **Y** into place using **W**.



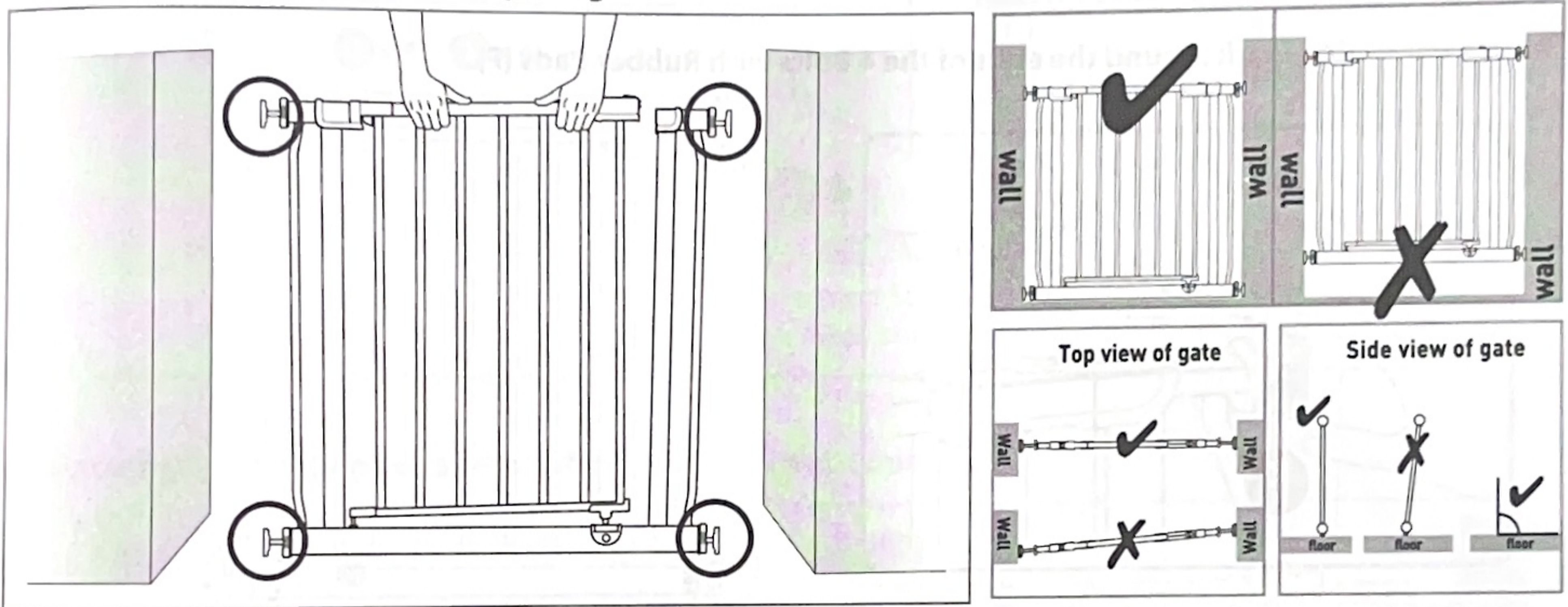
! WARNING

A maximum of 2 Gate Extensions can be used, 1 on each side of gate. Do **NOT** install 2 Gate Extensions on the same side of gate.

3. Insert the Bolts with Rubber Pads and Tension Knobs into the Gate Frame.



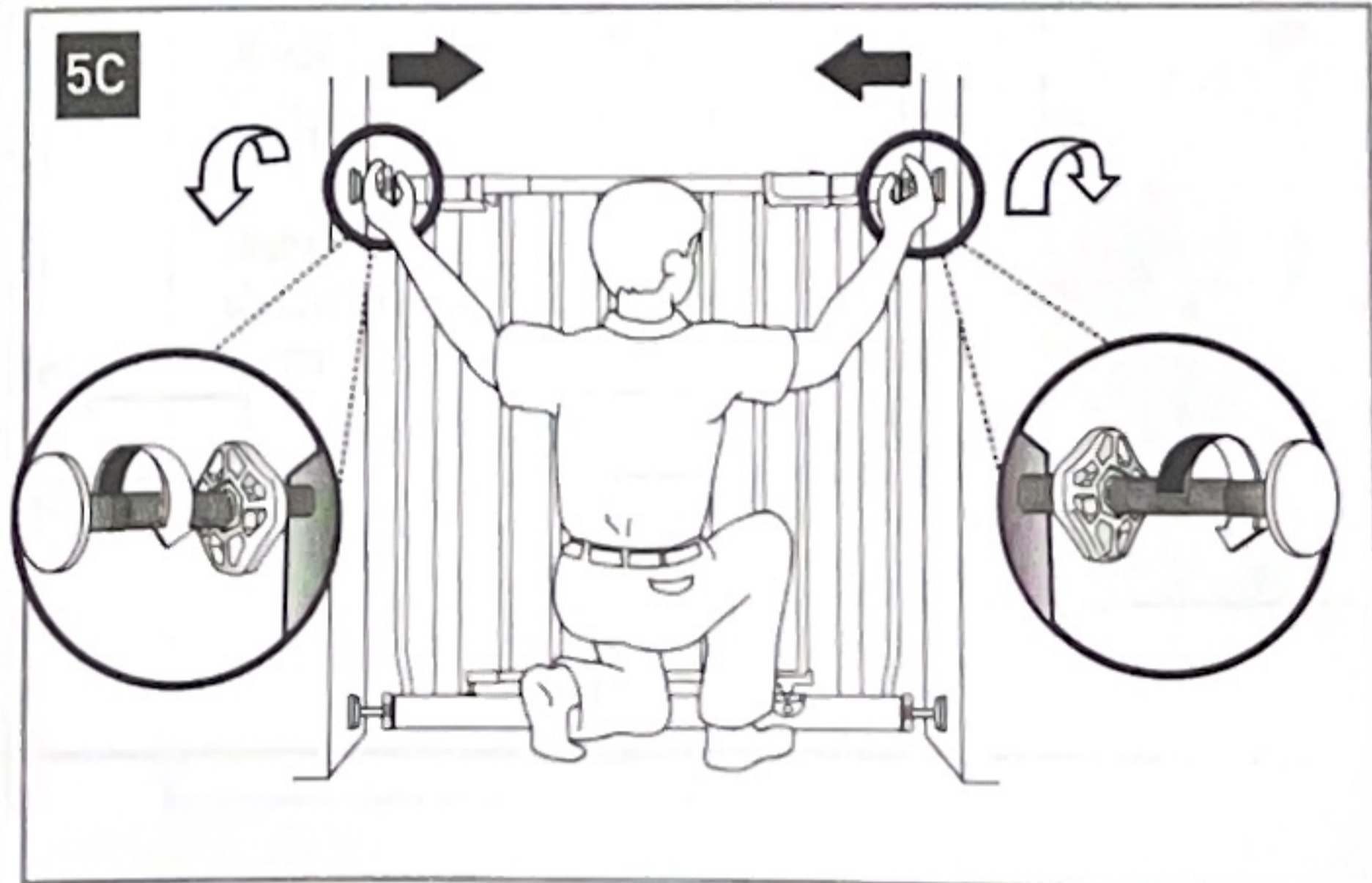
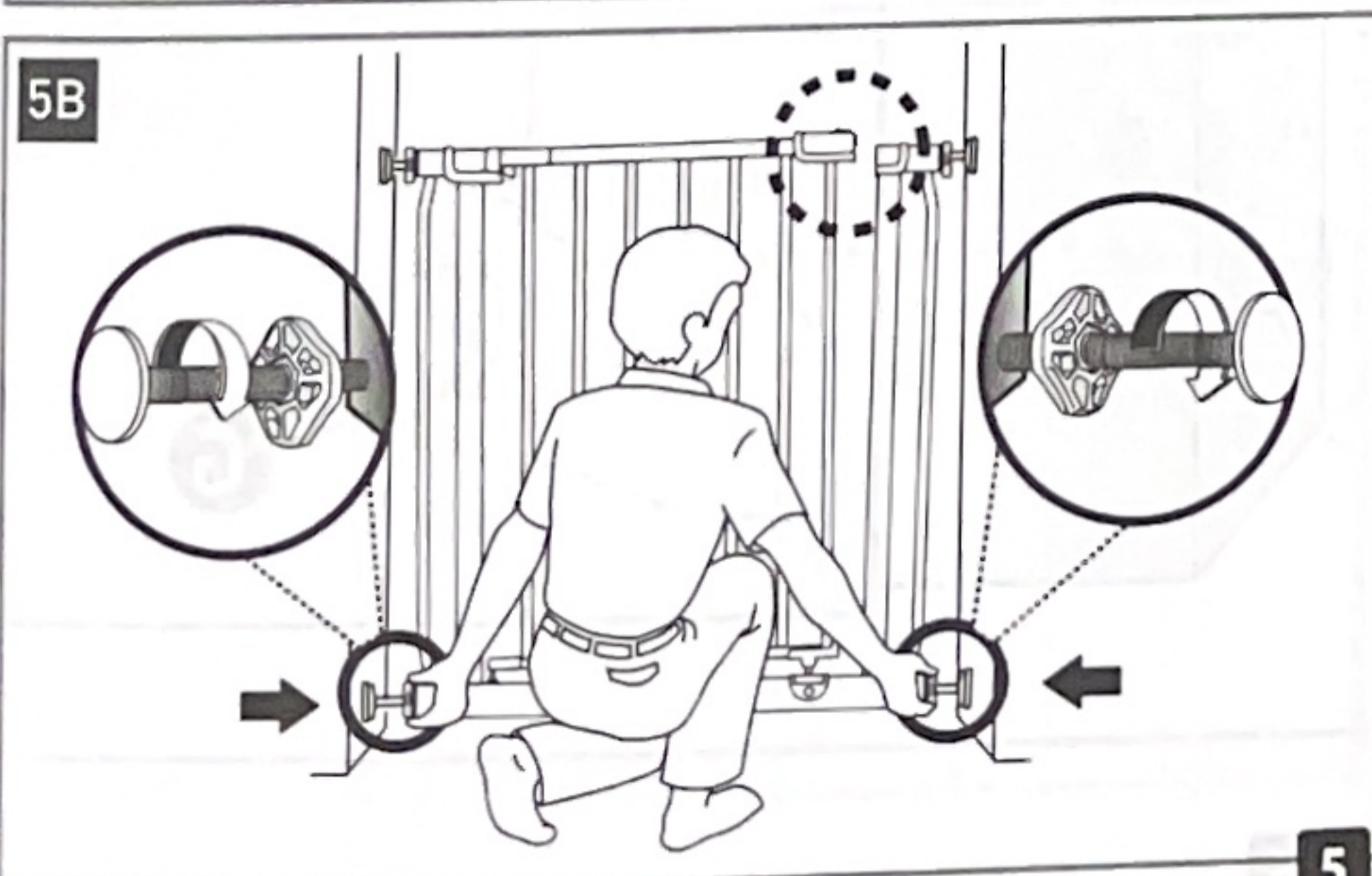
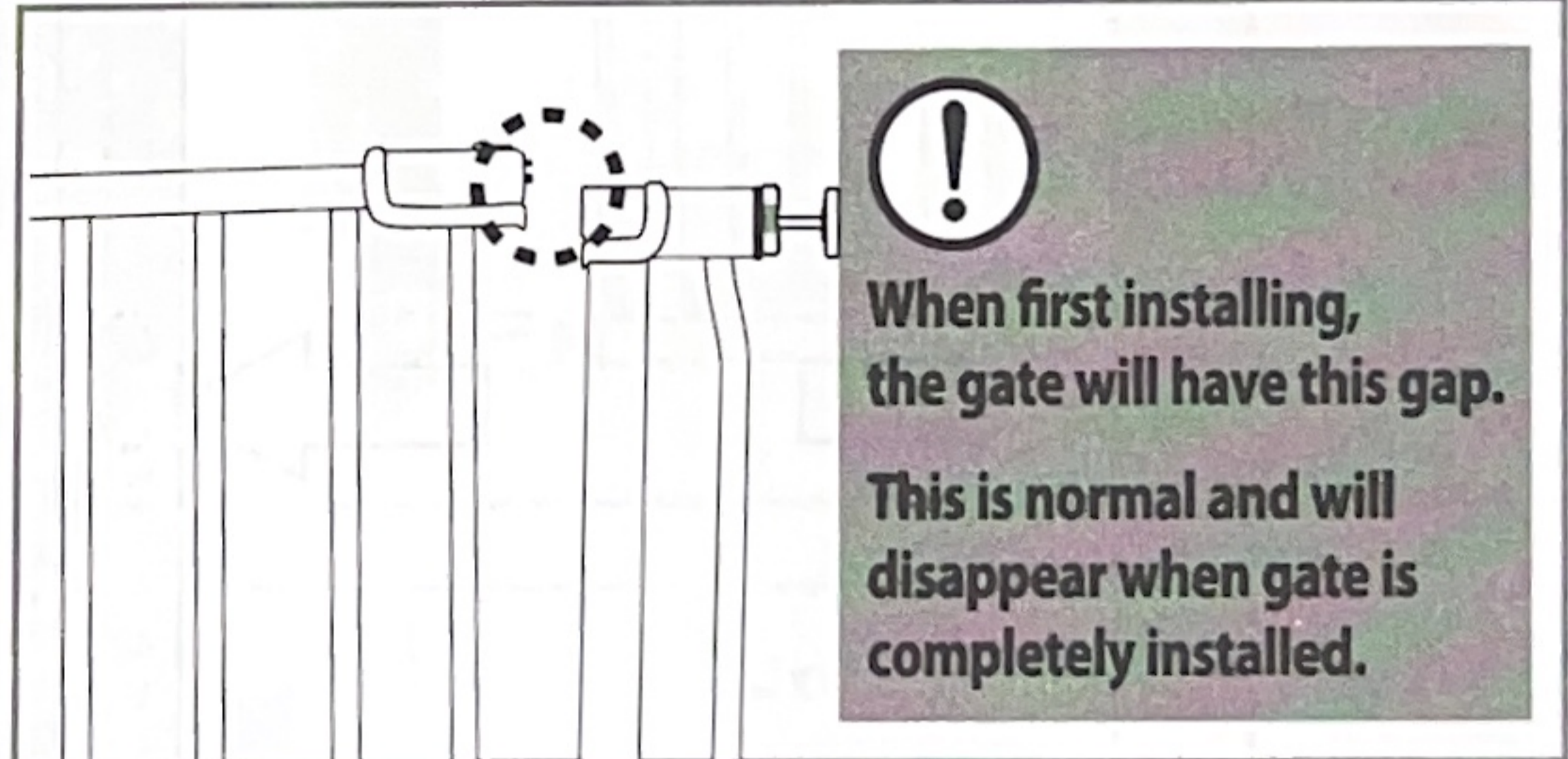
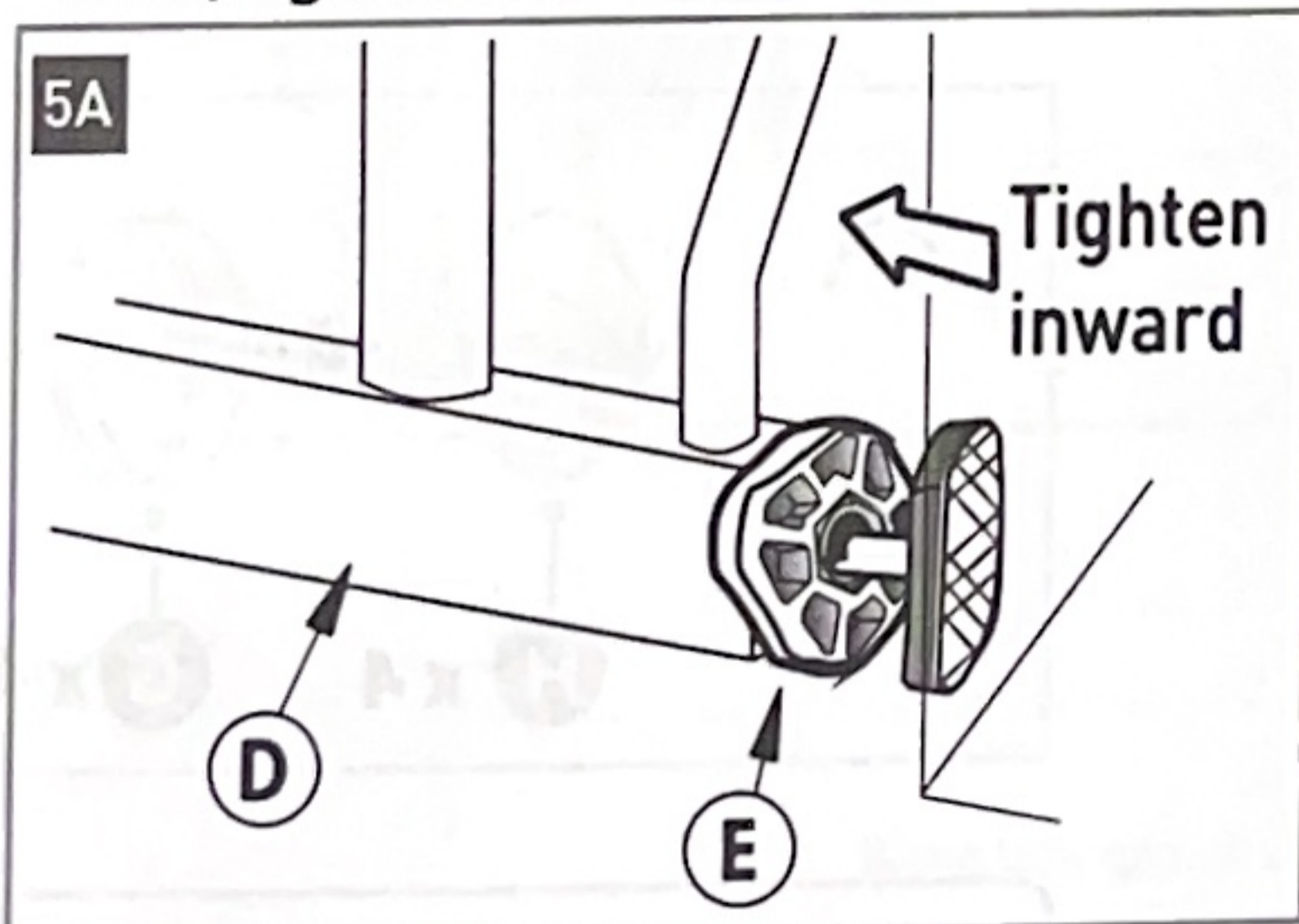
4. Place the gate in the opening so that the bottom of the Gate Frame is completely flat on the floor, and it is perpendicular to the opening and the floor.



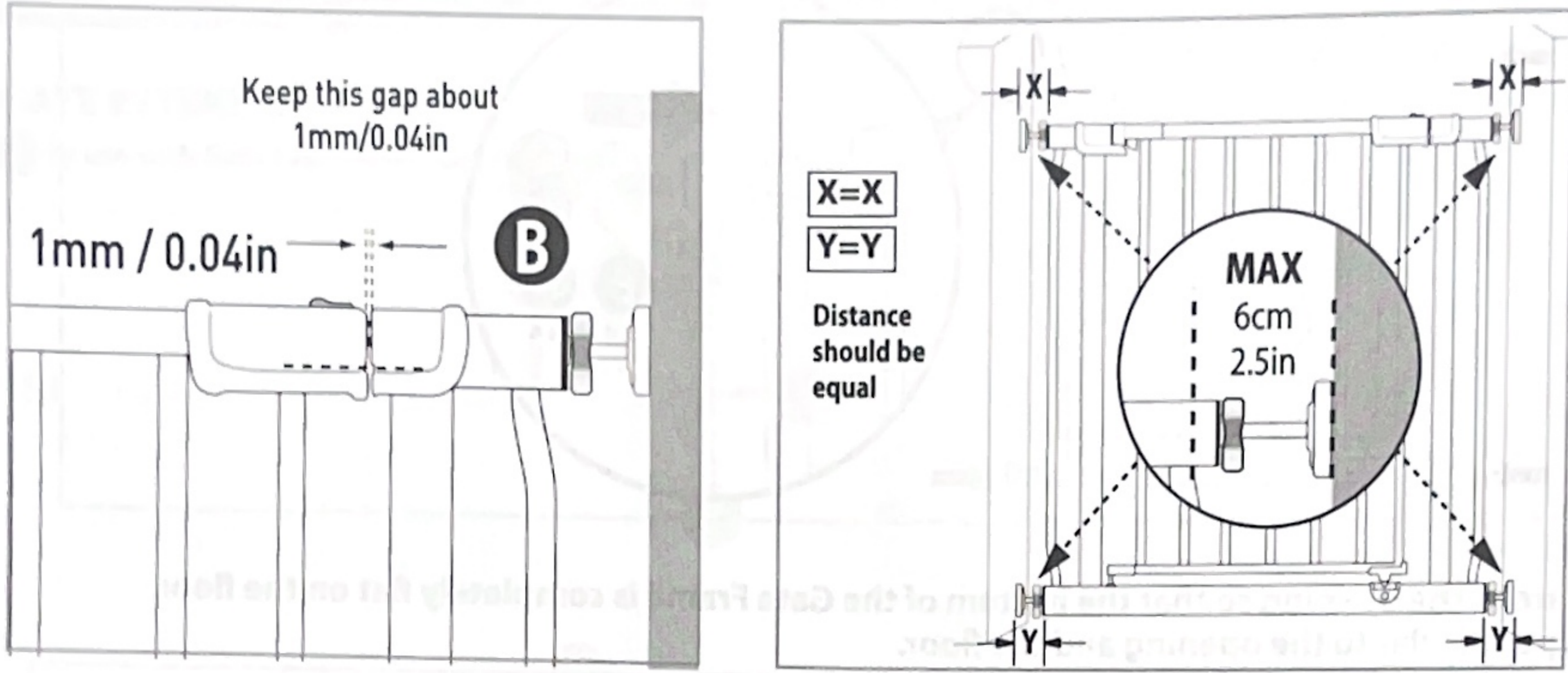
5. Tighten both of the lower Tension Knobs (E) by turning them at the same time.

NOTE: Make sure the bottom of the gate frame remains completely flat on the floor.

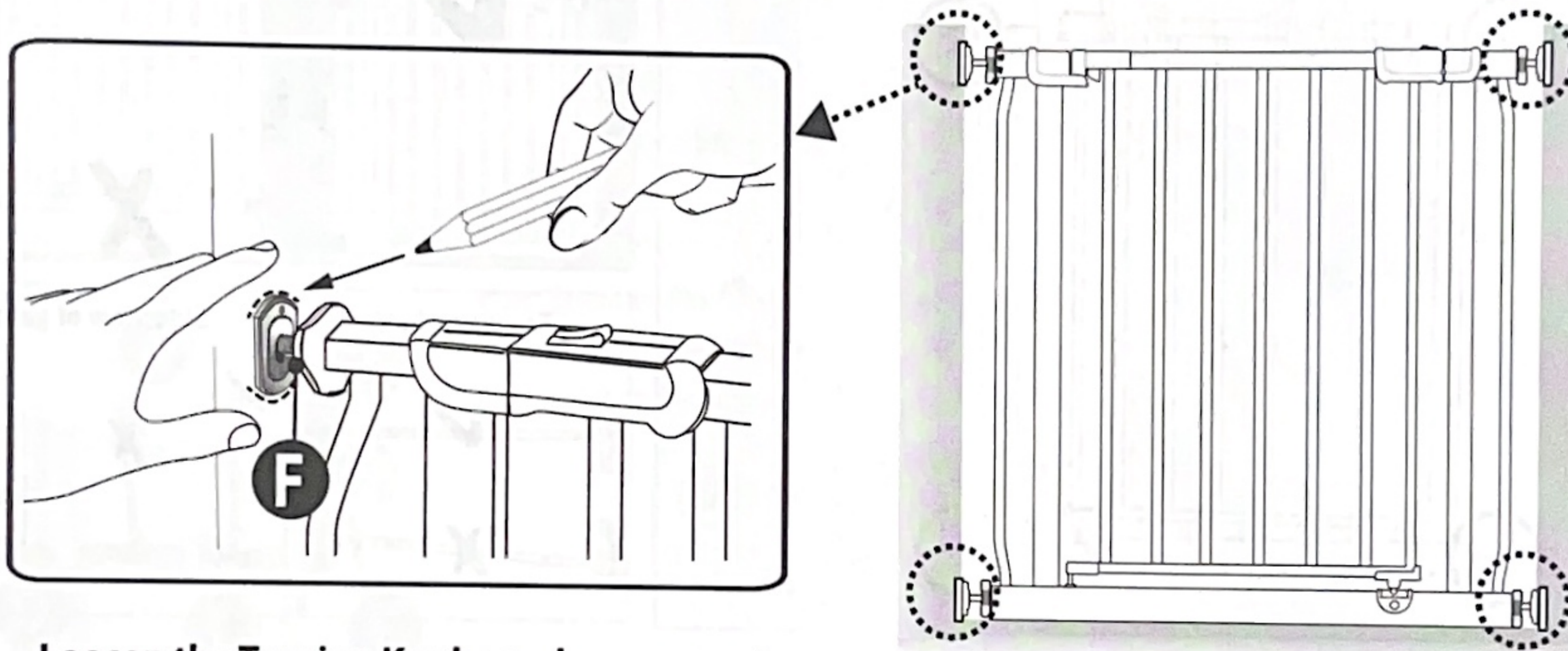
Next, tighten both of the upper Tension Knobs (E) by turning them at the same time.



6. Tighten the Tension Knobs until the two Indicator Lines, located on the Upper Locking Set (B) align horizontally. When correctly tightened, the distances between Tension Knobs and Rubber Pads should be equal.



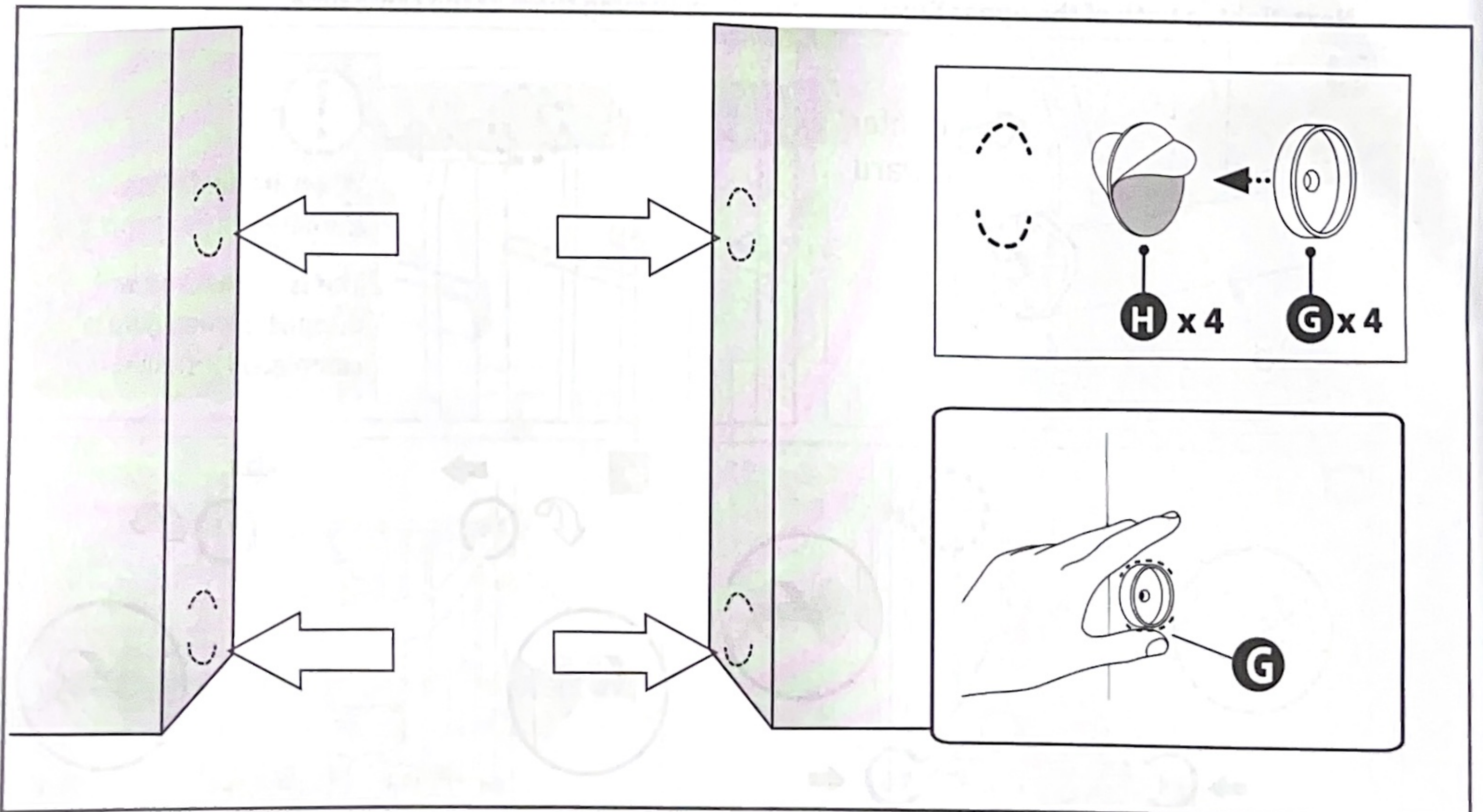
7. Use a pencil to mark around the ends of the 4 Bolts with Rubber Pads (F).



8. Loosen the Tension Knobs and remove gate.

Add tape (H) to Wall Cups (G)

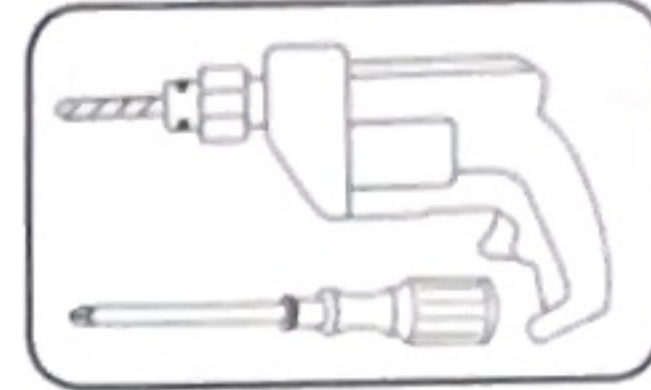
Line up Wall cups with marks on wall. Check gate is in alignment. Press Wall Cups (G) firmly into place.



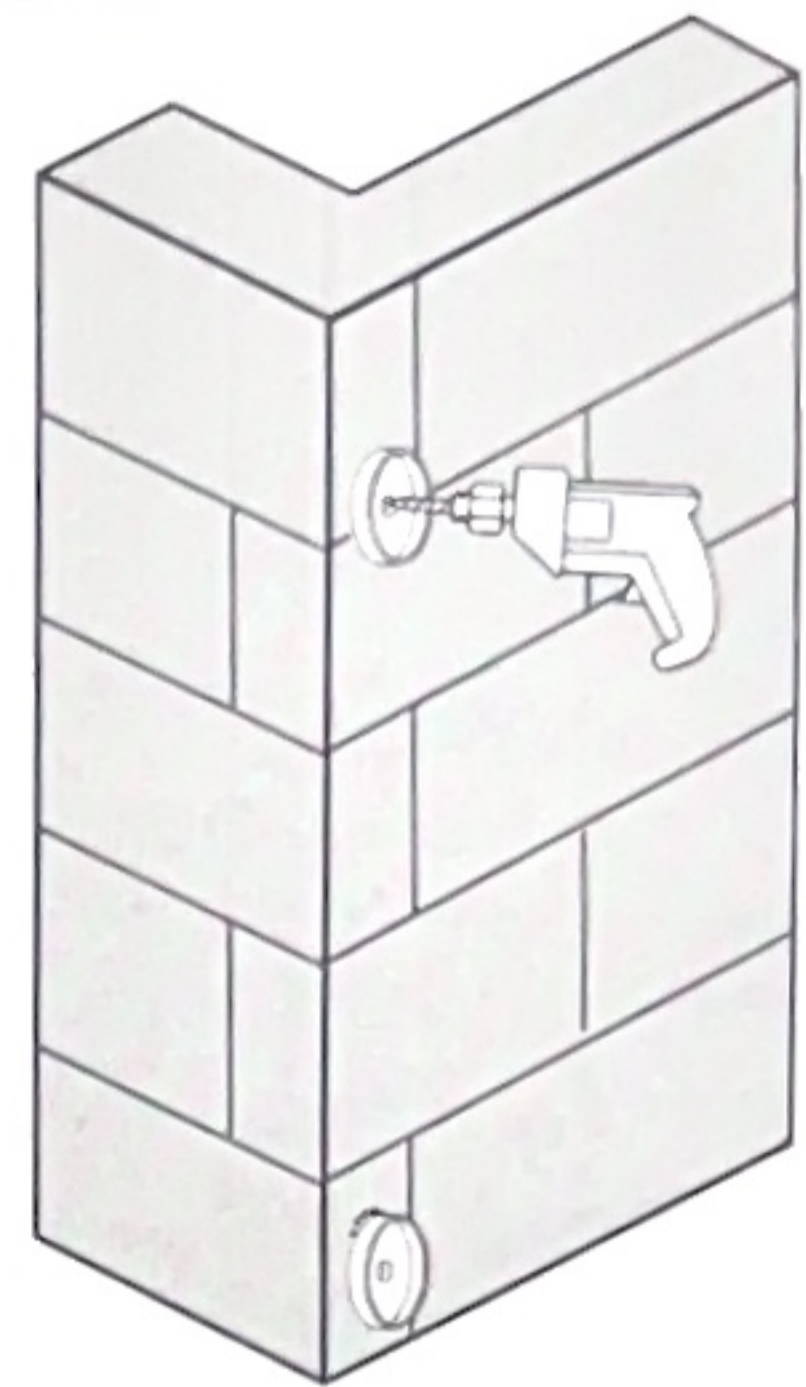
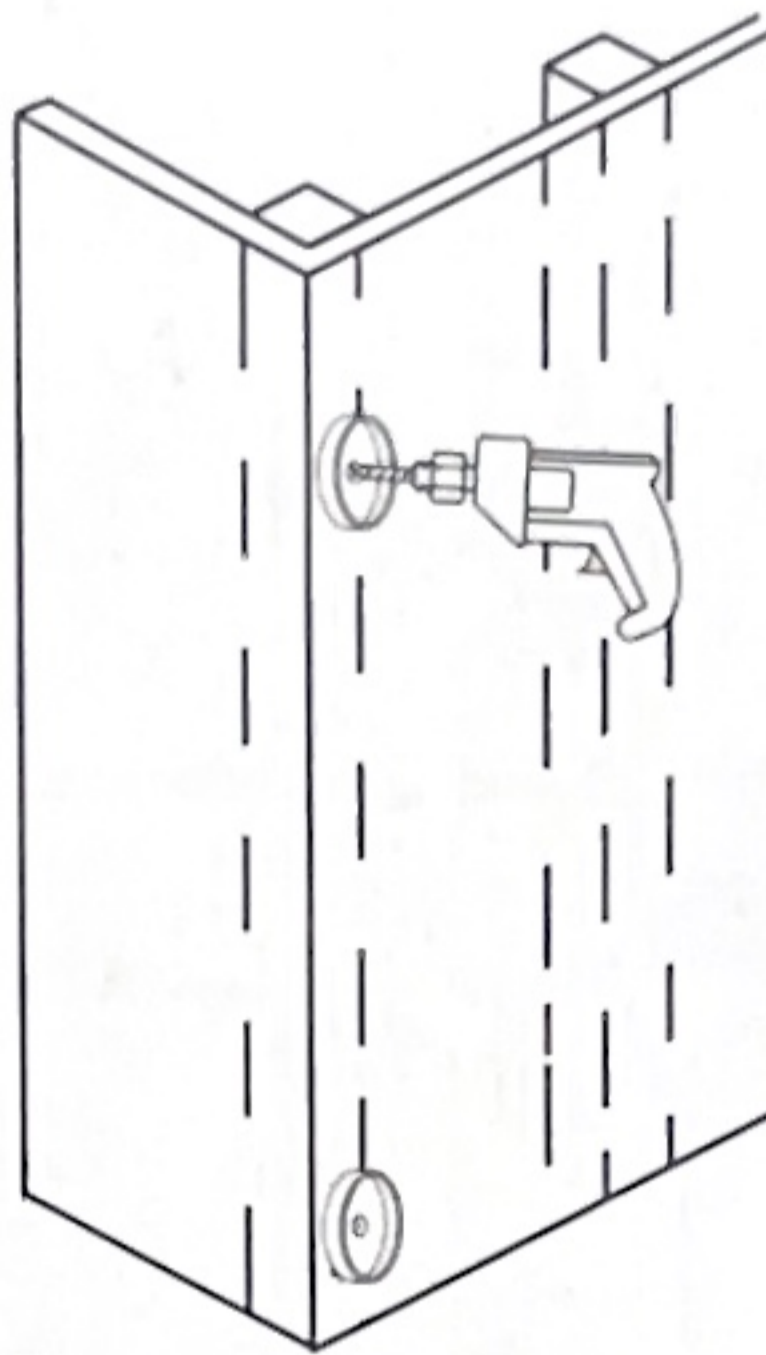
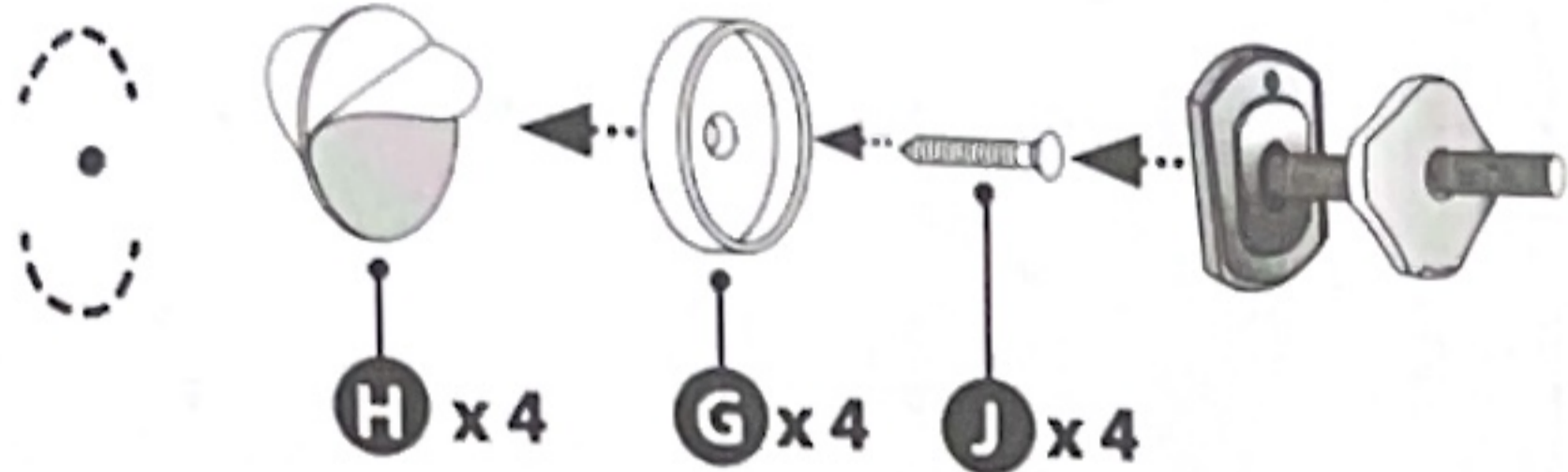
9. Screw Wall Cups (G) into place.



Ensure the surface you are mounting the gate is structurally sound such as solid timber, brick or masonry. For plaster / gyprock surface, locate the timber beam or stud behind and mount in this location (mounting on plaster / gyprock alone is not strong enough and not safe). DO NOT MOUNT TO GLASS.



Never use without wall cups. Screws MUST always be used to install wall cups.



J x 4

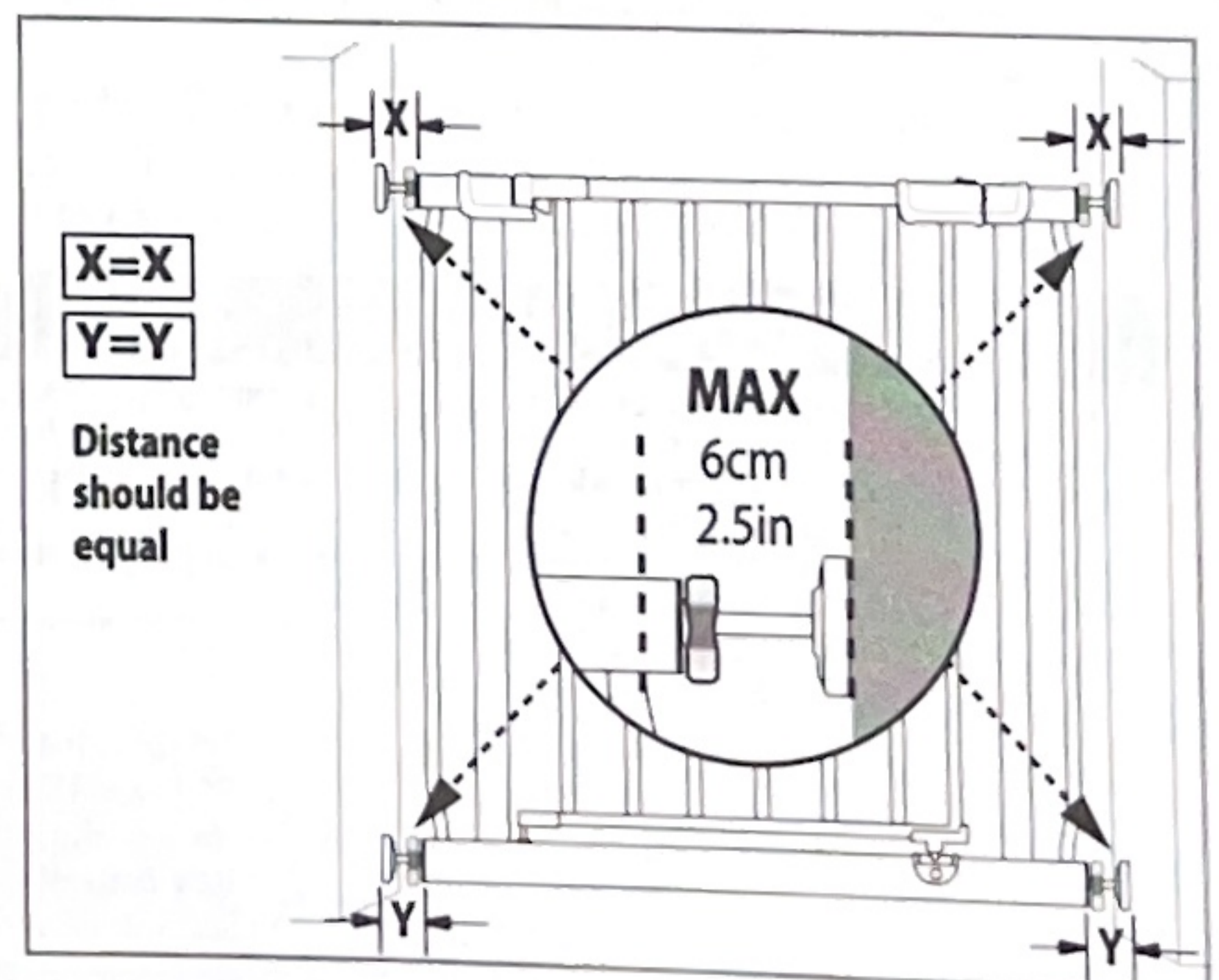
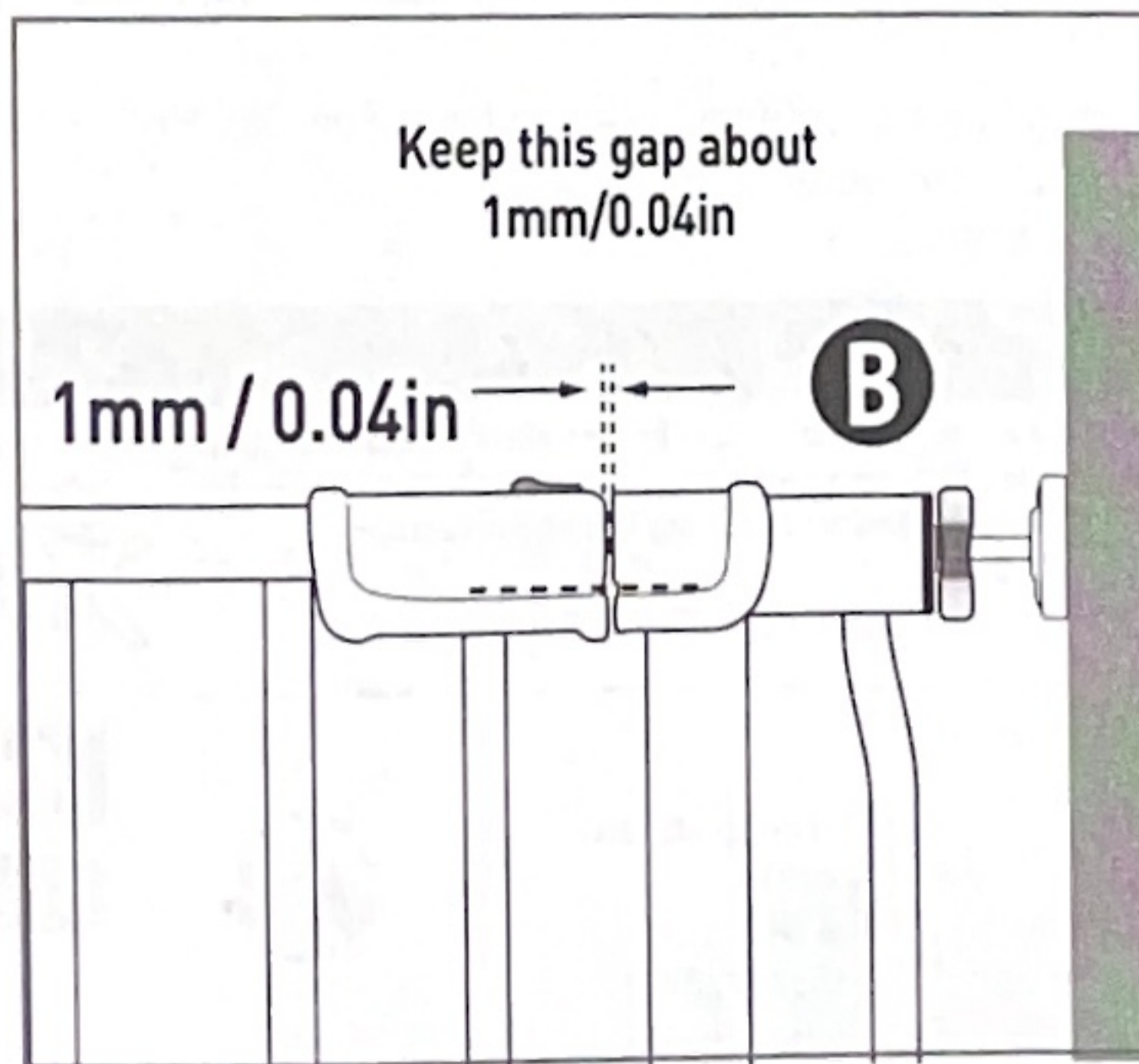
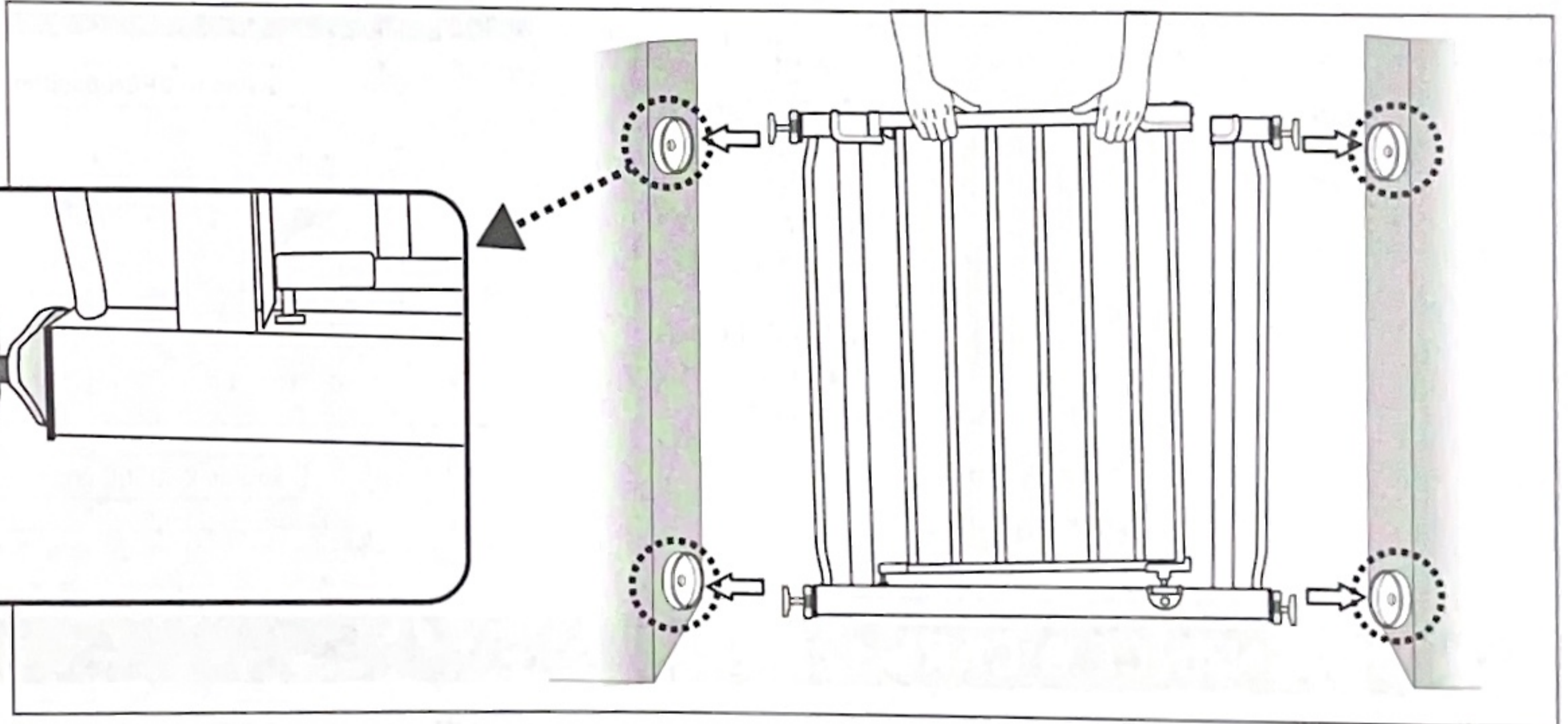
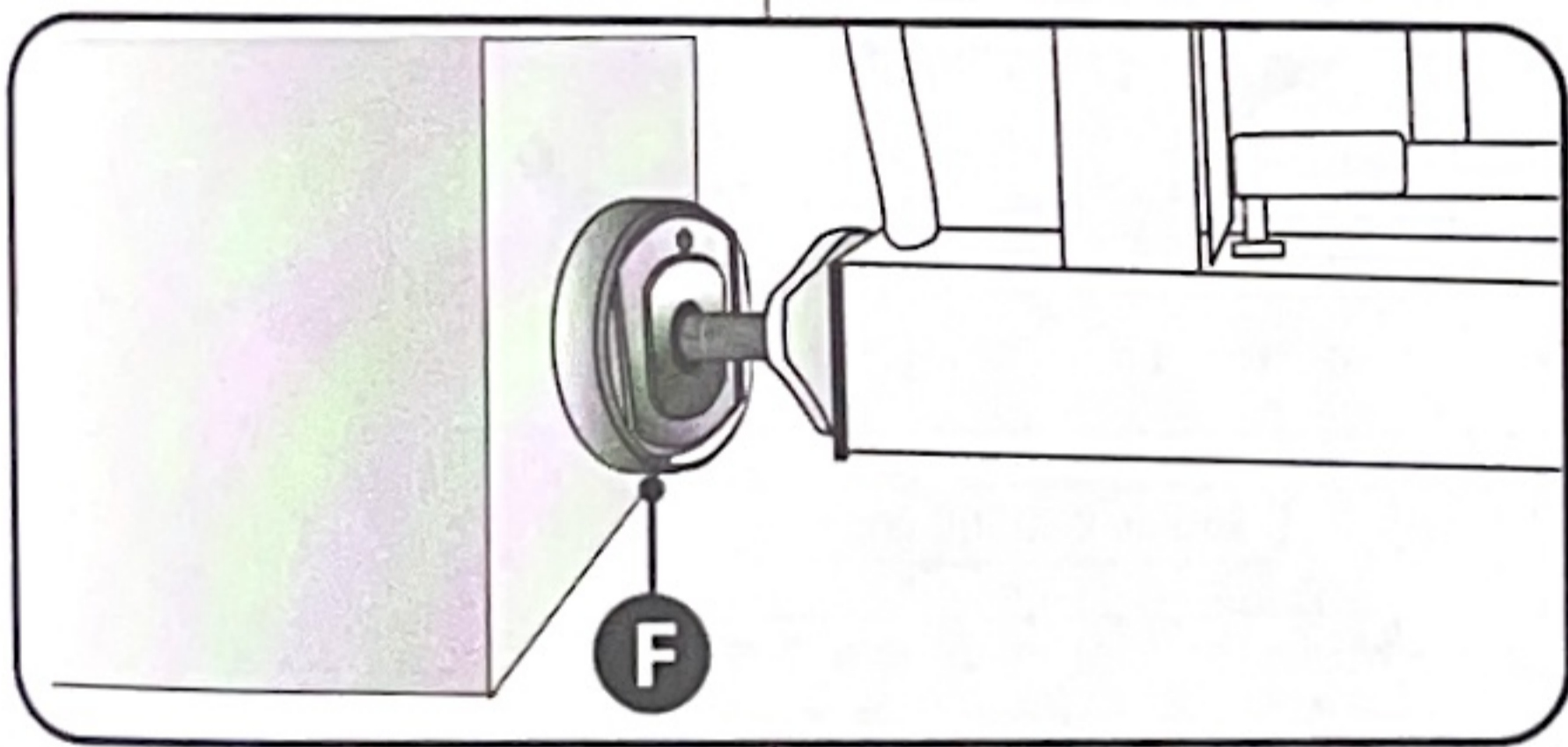


Wood Screws
Wood use only

Wood screws (J) included.

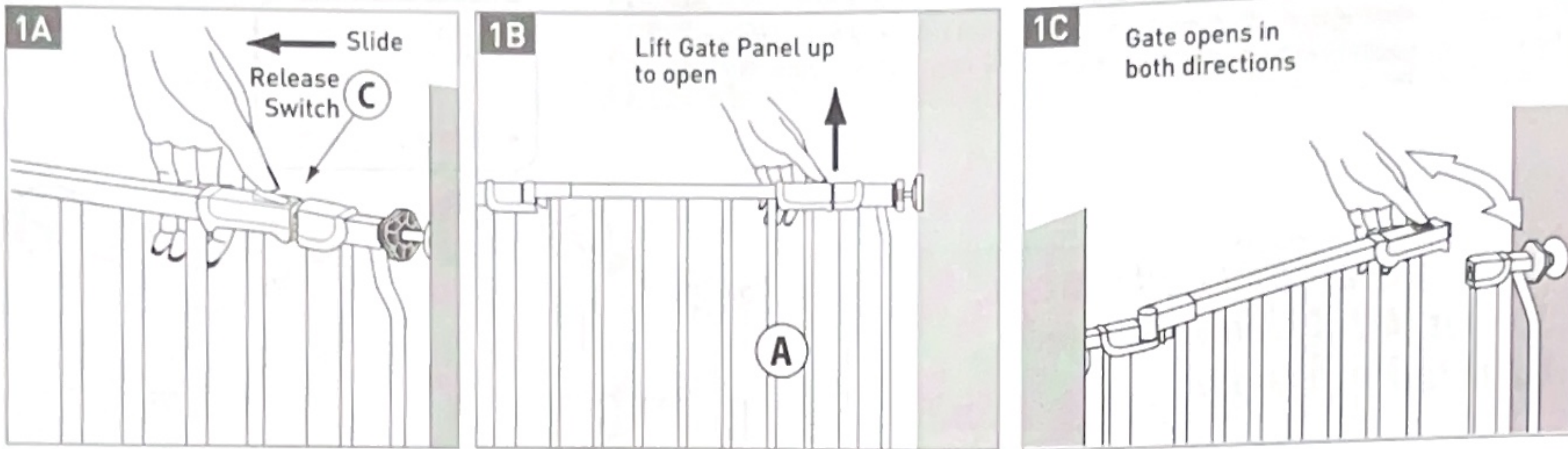
For Brick or Masonry use the appropriate fittings, screws and plugs for your wall (not included)

10. Reinstall gate inserting Bolts with Rubber Pads into Wall Cups (G).



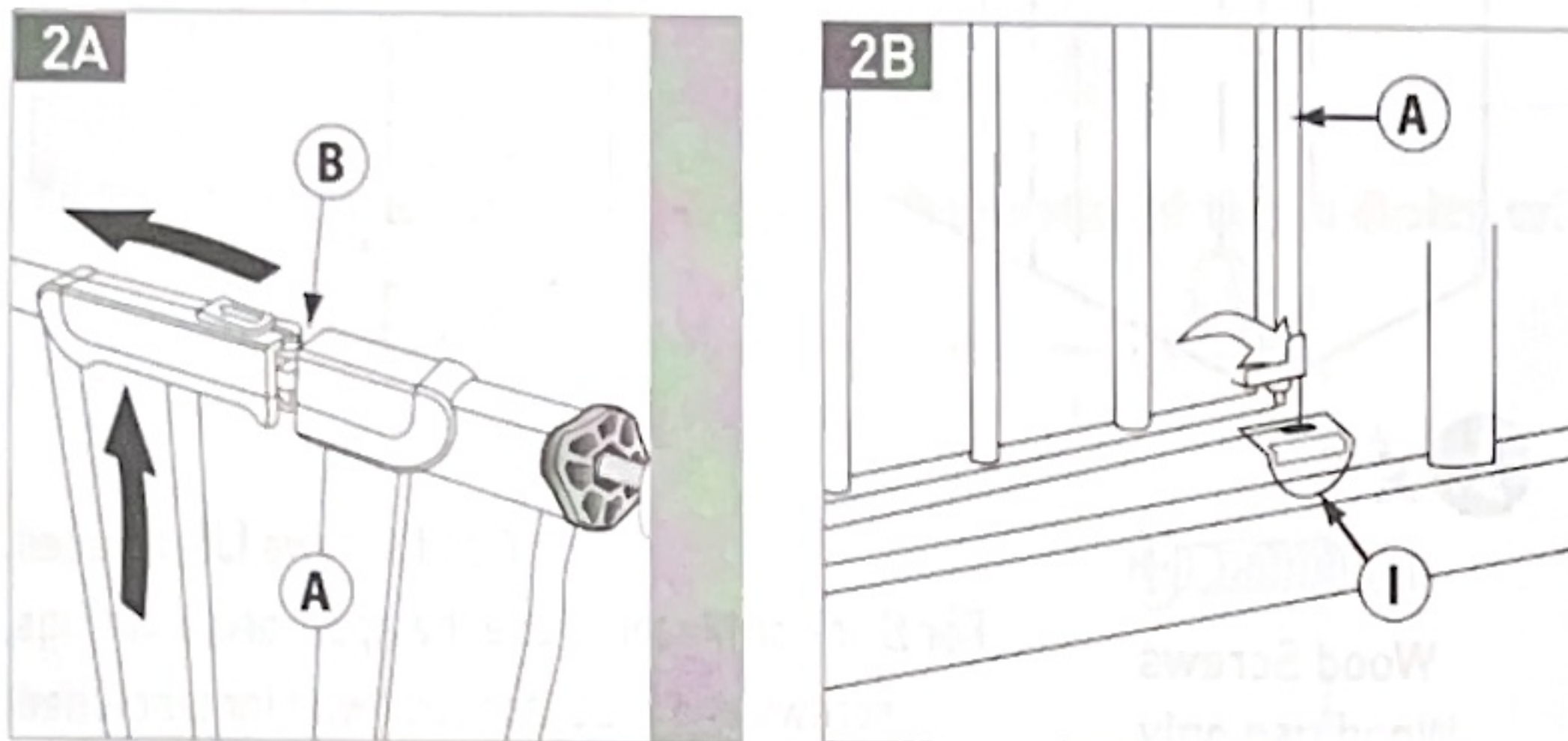
OPERATION

1. To open the gate:

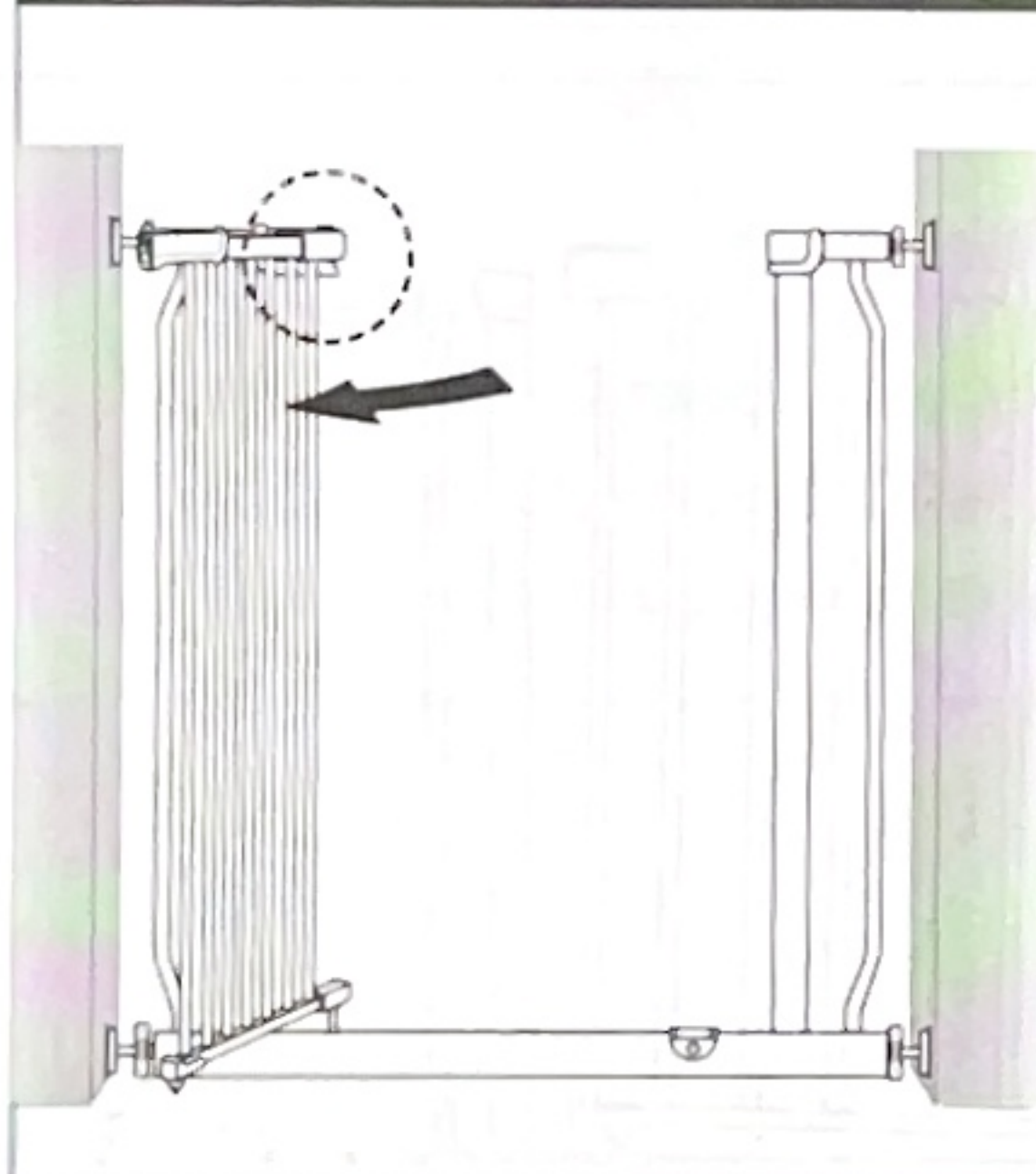


2. To close the gate:

This gate has a manual close system. Make sure the Upper and Lower Locking sets are engaged (2A & 2B). Check that the safety barrier is correctly closed.



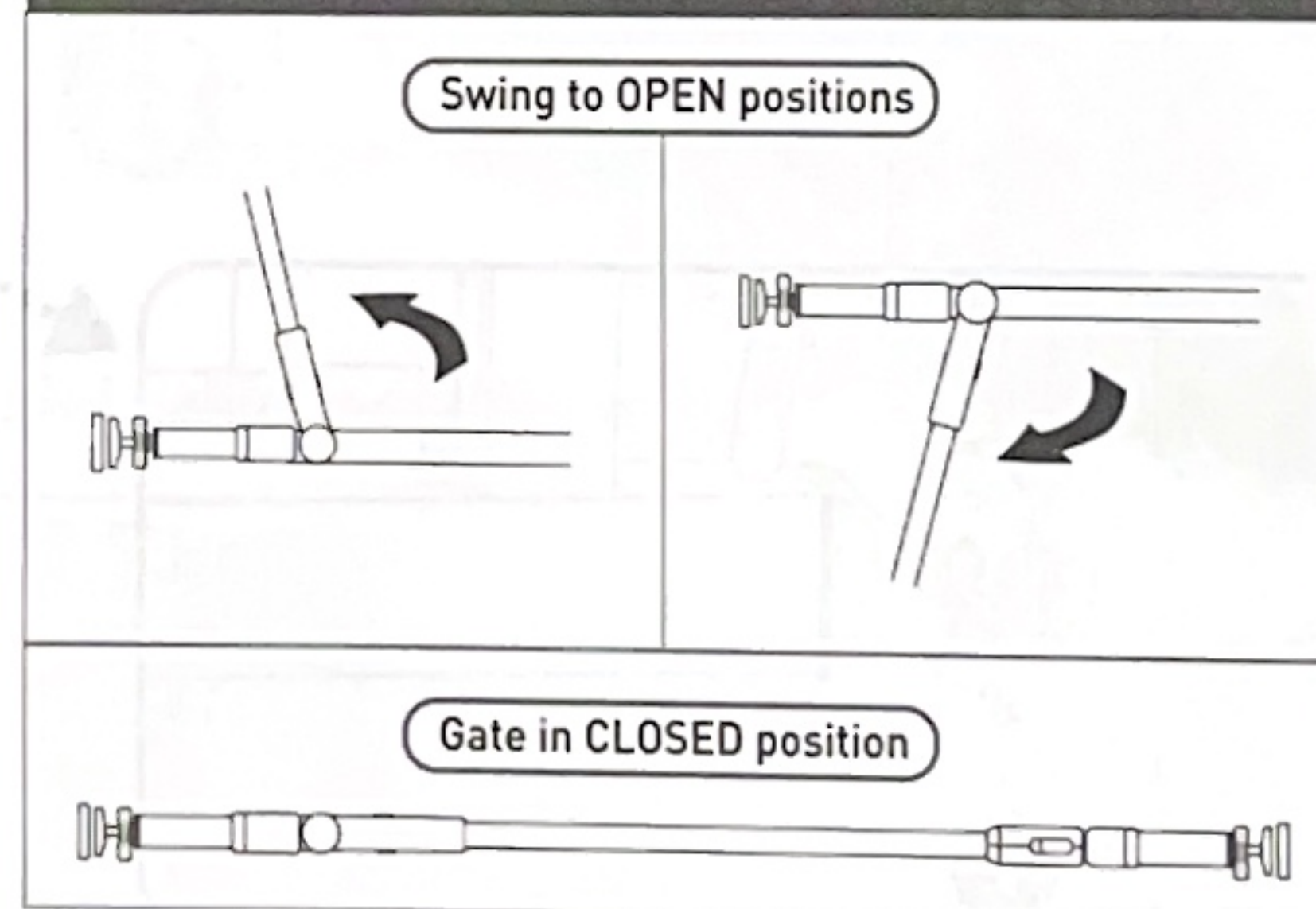
SMART STAY-OPEN SYSTEM



To engage the Smart Stay-Open System swing gate to its maximum opening. Gate will stay open. Close as required.

CAUTION: Keep gate closed when children are present.

TOP VIEW OF GATE



MAINTENANCE & CARE

- Gate must be fitted according to instructions, to ensure it works correctly.
- Regularly check Tension Knobs, Rubber Pads and Wall Cups to make sure the gate is securely in place and closes correctly. Adjust as required.
- Only use Dreambaby® spare parts. Any additional and replacement parts should be obtained from Tee-Zed Products.
- To clean, wipe surface with a damp cloth using mild detergent and warm water. Never clean with abrasive, ammonia, bleach or spirit based type cleaners.

CONTACT DETAILS

Tee-Zed acknowledges that its customers may be entitled to statutory consumer guarantees and does not seek to exclude or limit them. These guarantees include that Tee-Zed's products are of acceptable quality. This Tee-Zed product is for the specific purpose detailed in the instructions and packaging and Tee-Zed considers use outside of that purpose to be abnormal use. To the maximum extent permitted by law, Tee-Zed does not accept any liability for damage:

- arising from abnormal use of the products;
- caused by installation or removal of the products other than in accordance with the supplied installation and removal instructions; or
- arising under the law of tort or contract.

Dreambaby® products by **Tee-Zed**

Tee-Zed Products Pty Ltd
PO Box 2022,
Bondi Junction NSW 1355
Australia
☎ +61 (0)2 9386 4000
✉ info@tee-zed.com.au
www.dreambaby.com.au

Tee-Zed Products Ltd
PO Box 29227,
Dunfermline, KY12 2DN
United Kingdom
☎ +44 (0)844 800 9445
✉ info@tee-zed.co.uk
www.dreambaby.co.uk

Tee-Zed Products (N.Z.) Ltd
PO Box 64013,
Botany Town Centre Auckland
New Zealand
☎ +64 (0)9 274 8788
✉ info@tee-zed.co.nz
www.dreambaby.co.nz

Tee-Zed Products Ltd
PO Box 3419
5203DK NL
☎ +35314428778
✉ info@tee-zed.eu

8

Made in Hangzhou, China.
©2021 Tee-Zed Products Pty Ltd

