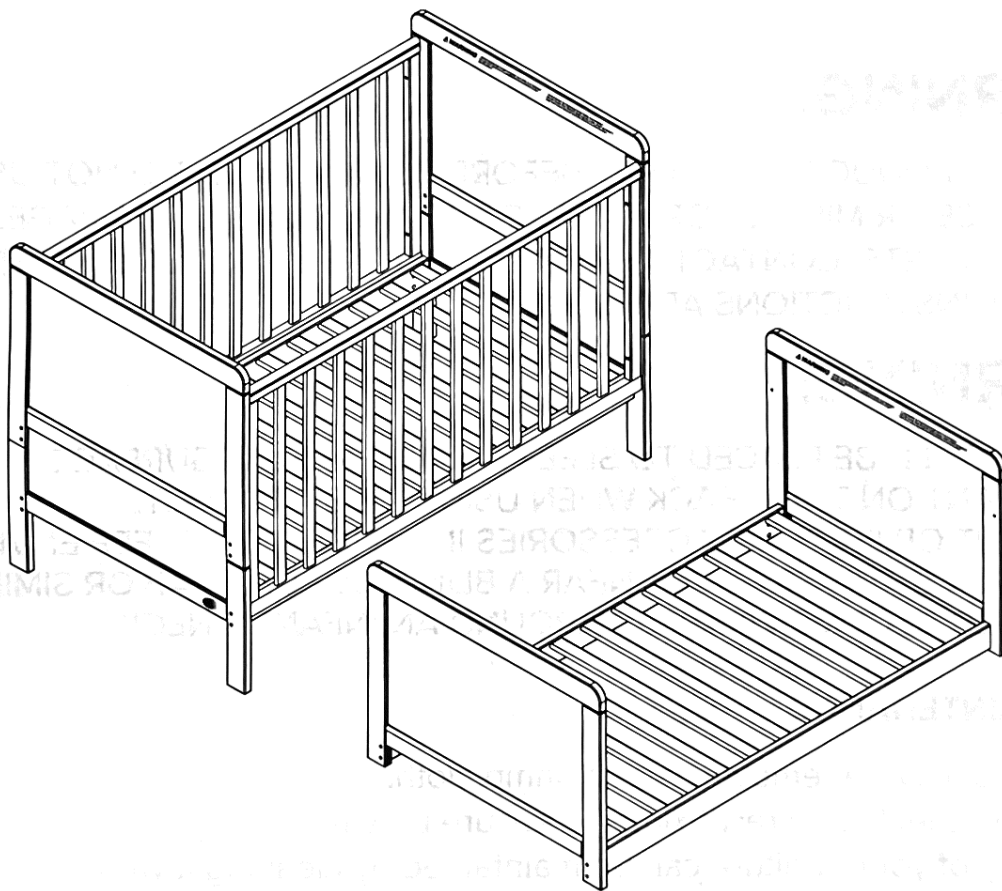




Clara Cot Bed 4021323



**IMPORTANT-RETAIN FOR FUTURE
REFERENCE. READ CAREFULLY**

**WARNING : DO NOT LEAVE YOUR CHILD UNATTENDED -
YOUR CHILD'S SAFETY IS YOUR RESPONSIBILITY**

THESE INSTRUCTIONS ARE IMPORTANT. PLEASE READ CAREFULLY AND RETAIN FOR FUTURE REFERENCE.

We strongly suggest you read through this leaflet in full, and follow the simple step by step guide to assembly.

WARNING:

DO NOT LEAVE YOUR CHILD UNATTENDED.

THE CORRECT USE AND MAINTENANCE OF THE COT WILL ENSURE IT PROVIDES LONGEVITY.

TO PREVENT FALLS, THE MATTRESS BASE OF THIS COT SHOULD ALWAYS BE ADJUSTED TO THE LOWEST POSITION BEFORE THE CHILD CAN SIT UP UNAIDED.

WARNING:

CHECK THIS PRODUCT REGULARLY BEFORE USING IT, AND DO NOT USE IT IF ANY PART IS LOOSE OR MISSING OR IF THERE ARE ANY SIGNS OF DAMAGE. DO NOT SUBSTITUTE PARTS. CONTACT THE MANUFACTURER IF REPLACEMENT PARTS OR ADDITIONAL INSTRUCTIONS ARE NEEDED.

WARNING:

- INFANT SHOULD BE PLACED TO SLEEP ON A FIRM, FLAT SURFACE.
- PLACE INFANT ON THEIR BACK WHEN USING THIS PRODUCT.
- DO NOT PUT OBJECTS OR ACCESSORIES IN AN INFANT'S SLEEP ENVIRONMENT.
- DO NOT PLACE THIS PRODUCT NEAR A BLIND, CORD, STRAP OR SIMILAR ITEM THAT COULD BECOME WRAPPED AROUND AN INFANT'S NECK.

CARE & MAINTENANCE

- Scuff marks may be removed with a damp cloth.
- Periodically check all screw fixings to ensure they remain tight.
- The beauty of your furniture can be maintained by cleaning it with a soft dust absorbing cloth. Occasionally a water-humidified cloth can be used and in this case, ensure to dry the furniture with a dry cloth.
- All furniture can be damaged by knocks and scrapes - if you dent the surface or break the seal of the lacquer, rub some solid wax into the dent to exclude the atmospheric moisture.

MATERIALS

URE This cot is constructed from solid pine and MDF, with all surfaces finished in a protective lacquer. To preserve the furniture's appearance, clean it with a soft dry cloth. For occasional deeper cleaning, use a lightly dampened cloth and immediately follow with a soft dry cloth to wipe dry.

Note that all furniture is susceptible to damage from impacts and scratches. If the surface becomes dented or the lacquer finish is chipped/cracked, apply a solid wax to the affected area to prevent moisture from the air penetrating the material.

ASSEMBLY

VIDES Before starting the assembly, please read through these instructions. Then carefully unpack your cot and check that you have a complete set of parts against the parts list.

S We recommend that you assemble your cot on a clean, flat surface, ensuring there are no sharp objects present that may mark or damage the panels.

CAUTION

There are many small components used in the construction of this cot. These items should be kept out of reach of young children whilst assembling the unit.

IT IF AN
DO NOT supplied by Baby Factory NZ. Ltd.
ARTS O 8 Stonedon Drive
East Tamaki
Auckland
New Zealand
www.babyfactory.co.nz

ONMENT
R ITEM

ust
this
ce
e the

INSTRUCTIONS FOR SAFE USE WHEN IN COT MODE:

Note: 2 height positions in this mode

- This cot has been manufactured for use with a mattress which measures 690 mm wide x 1300 mm long and no more than 120 mm thick.
- The width and length are specified because it is important that the gaps between the mattress, sides and ends will not exceed 40 mm when the mattress is pushed to one corner of the cot and 20 mm when the mattress is in the centre of the cot.
- The thickness of the mattress has been specified to ensure that the depth of the cot is greater than 500 mm when the base is in the lowest position to minimise the risk of a child climbing or falling out.
- This cot has been manufactured for one child only, with a maximum weight of 18kg

WARNING: Be aware of the risk of open fire and other sources of strong heat, such as electric bar fires, gas fires, etc. in the near vicinity of the cot.

WARNING: Ensure that the cot is placed in reasonable distance from curtains, blinds, heaters and electric power points.

WARNING: Always keep the following out of reach from any position in the cot: medication, strings, elastic, small toys or small items such as money.

WARNING: Do not use the cot if any part is broken, torn or missing and use only spare parts provided by the manufacturer.

WARNING: Do not use more than one mattress in the cot.

The lowest position is the safest. The base should always be used in this position as soon as the baby is able to sit up unaided.

WARNING: All assembly fittings should always be tightened properly, checked periodically, and care should be taken to ensure no screws are loose, as a child could trap parts of the body, or clothing (e.g. strings, necklaces, ribbons from baby pacifiers), which could pose a risk of suffocation and strangulation.

WARNING: To prevent injury from falls, do not use this cot if the child is able to climb out of it.

WARNING: Children are likely to play, bounce, jump and climb on beds, therefore the child's bed should not be placed too close to other furniture or windows, and should be placed either tight up against a wall or have a gap of 300 mm between the wall and the side of the bed.

Cot Mode: Designed and Manufactured to AS/NZS 2172-2013

INSTRUCTIONS FOR SAFE USE WHEN IN TODDLER BED MODE:

Note: 1 height position in this mode

Recommended mattress size is 690 mm wide x 1300 mm long and no more than 100 mm thick.

Only use as a toddler bed for children between 15 months and not greater than 22.7kg.

WARNING:

PANTS HAVE DIED IN TODDLER BEDS FROM ENTRAPMENT.

Openings in and between bed parts can entrap the head and neck of a small child.

NEVER use bed with children younger than 15 months.

ALWAYS follow assembly instructions.

WARNING

STRANGULATION HAZARD

NEVER place bed near windows where cords from blinds or drapes may strangle a child.

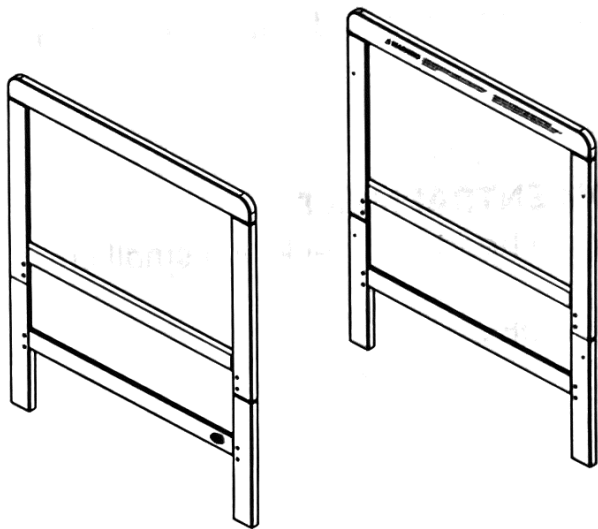
NEVER suspend strings over bed.

NEVER place items with a string, cord, or ribbon, such as hood strings or pacifier cords, around a child's neck. These items may catch on bed parts.

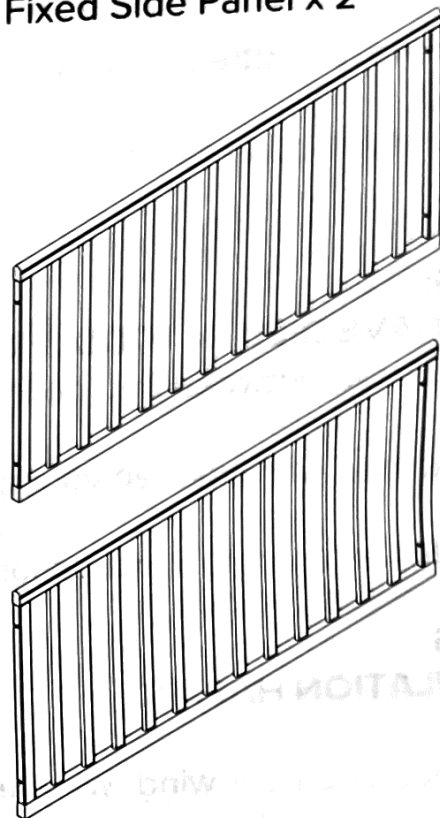
Toddler bed Mode: Designed and Manufactured to ASTM F1821-2019e1

PARTS LIST

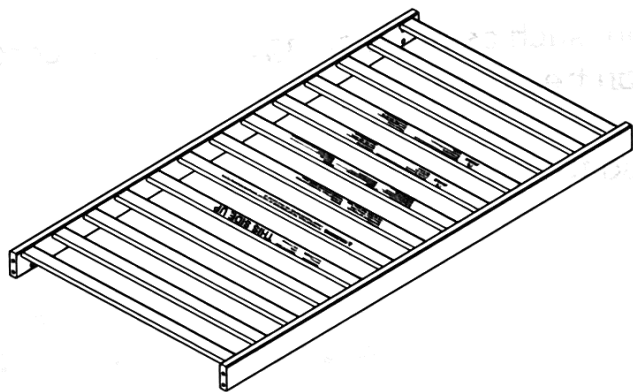
A End Panel x 2



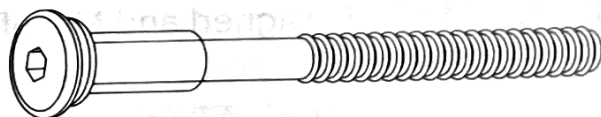
B Fixed Side Panel x 2



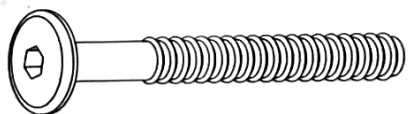
C Mattress Base x 1



D 90mm Cot Assembly Bolts
(with PVC tube and plastic
washers preassembled) x 8



E 50mm Cot Assembly Bolts x 8



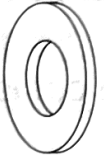
F Cot Assembly nuts x8



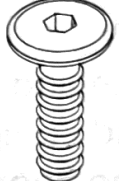
PARTS LIST

COT ASSEMBLY

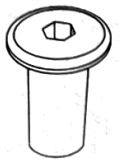
G M6 Plastic Washers x 16
(8pcs in fitting bag)
(8pcs pre-assembled to End panel)



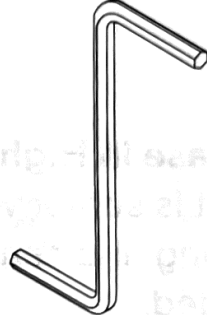
H Filling Bolts x 8
(Pre-assembled to End panel)



I Filling Nuts x 8
(Pre-assembled to End panel)



J Allen Key x 2



ATTENTION
If changing the mattress base from the highest to the lowest position, you must swap over the filling bolts. It is important that the filling bolts are replaced into the correct holes in the end panel, and that once they are secured tightly with the Allen key and checked regularly so they do not loosen.

COT ASSEMBLY

ARTS LIST

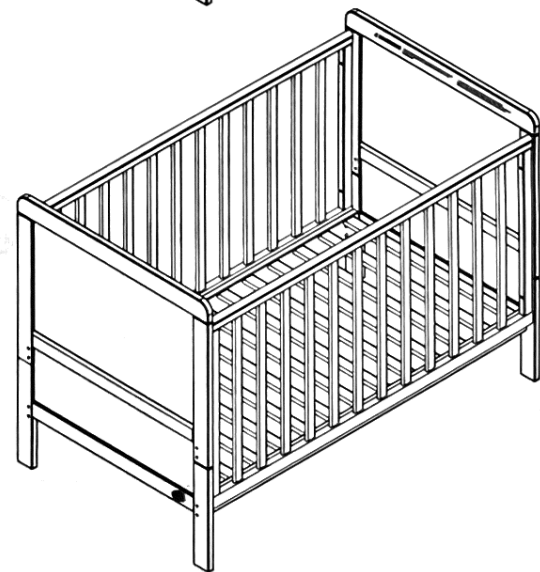
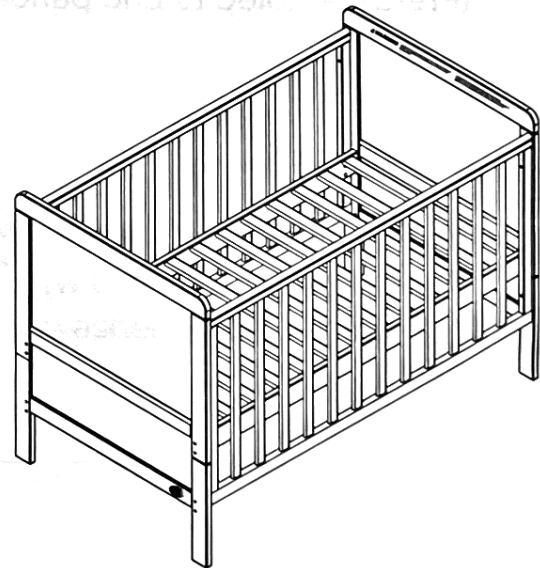
- Unpack all contents and check that all parts are present before starting assembly. Please refer to the parts list.
- It is advisable that two people assemble the cot in the room in which it is to be used.
- As small parts are involved in assembly, children should be kept clear of the assembly area.
- Dispose of all packaging material immediately after the cot is assembled.
- Identify all parts and components.
- Clear an area on the floor for assembly and place a sheet on the floor to ensure the cot is not scratched during assembly.
- The assembly process will demonstrate assembly to the upper position. If you wish to assemble to the lower position, fasten the mattress base (C) to the lower fixing holes where the filling bolts (H) are shown to attach.

Mattress base in High Position: The base height is set for when your baby is young and cannot sit up unaided.

Mattress base in Low Position: This is the normal position for an active baby who can sit up unaided.

ATTENTION:

If changing the mattress base from the highest to the lowest position, you must swap over the filling bolts. It is important that the filling bolts are replaced into the opened holes in the end panels, and to ensure that they are secured tightly with the Allen key and checked regularly so they do not loosen.





WARNING



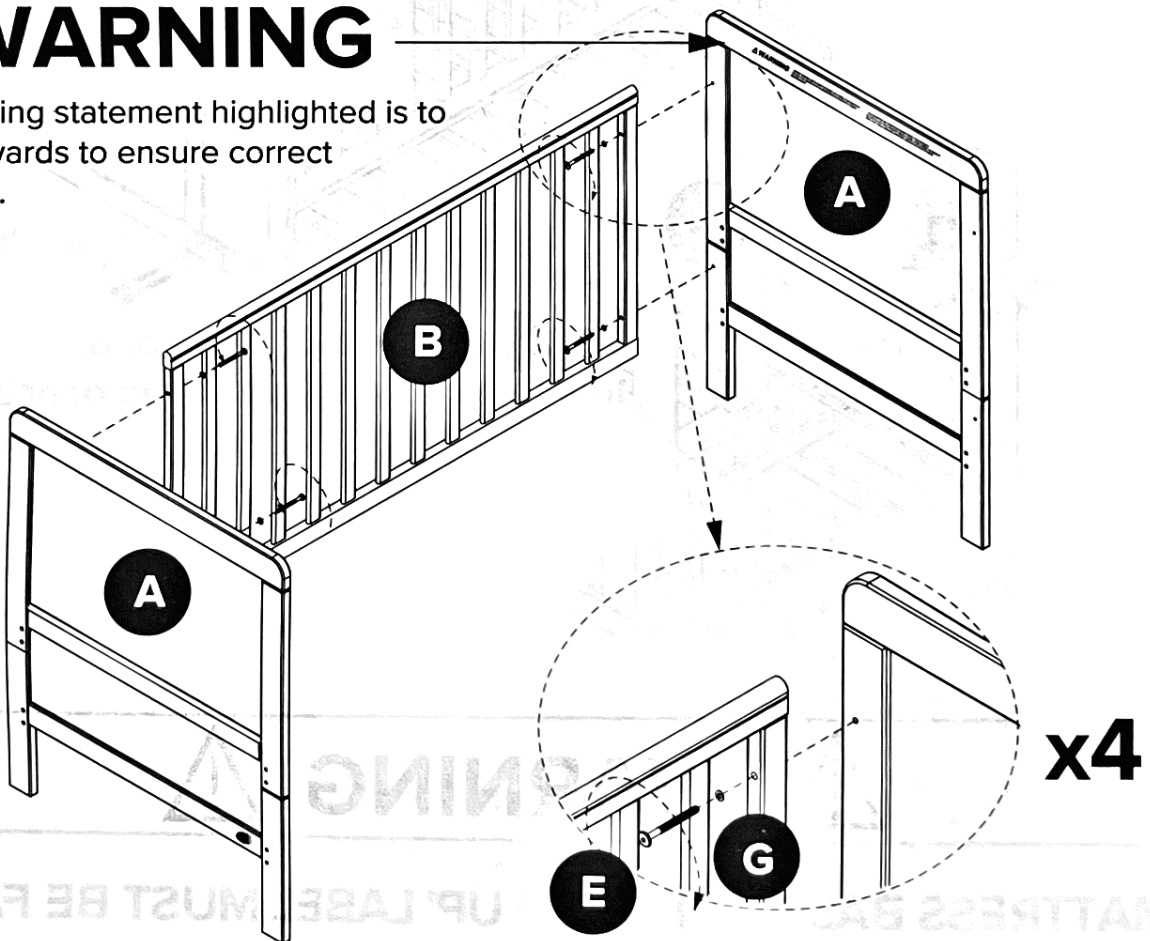
DO NOT OVER-TIGHTEN BOLTS. OVER-TIGHTENING BOLTS CAN CAUSE PANELS TO CRACK.

With two end panels standing upright, attach one end of the side panel to one end panel using 2 pieces of cot assembly bolt and 2 pieces of plastic washer as below.

Secure with Allen key but do not tighten bolts completely.

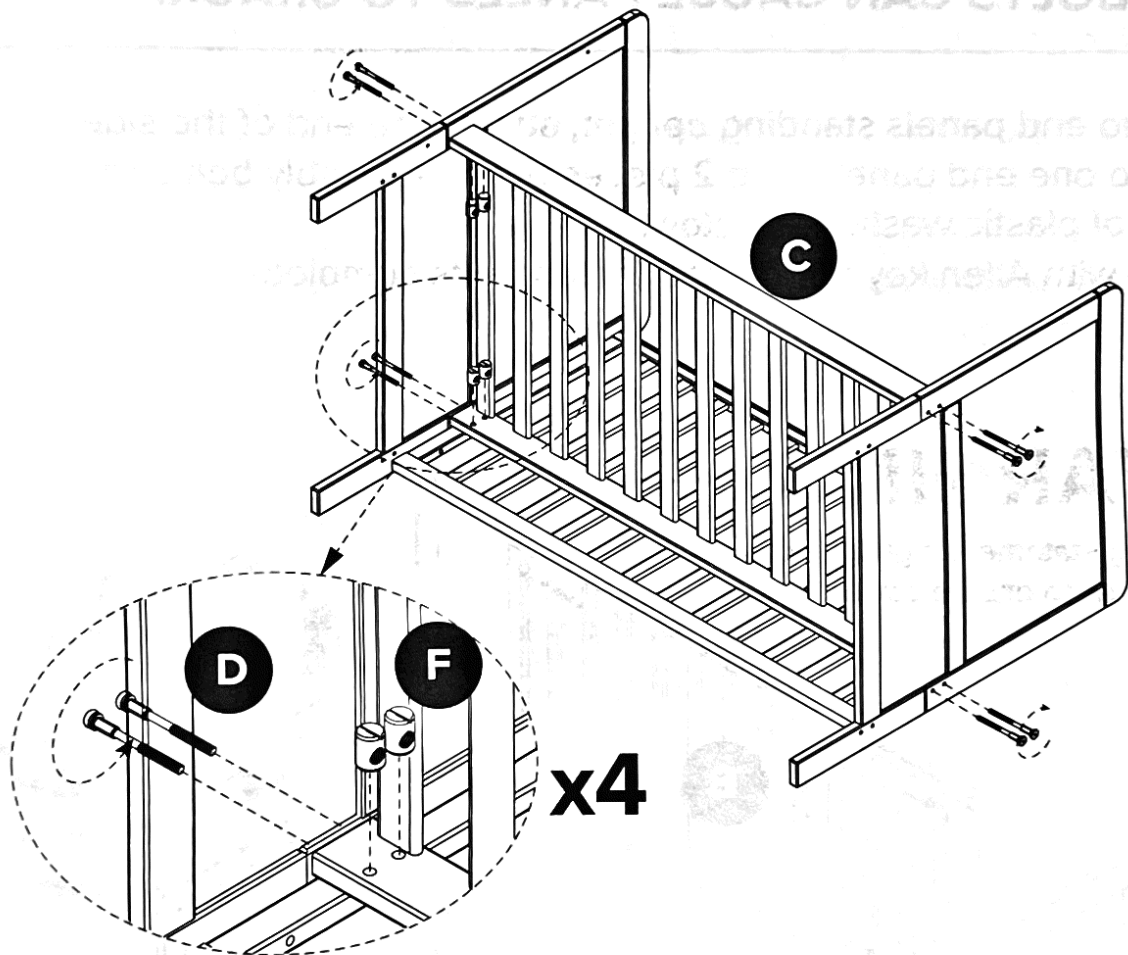
WARNING

The warning statement highlighted is to face outwards to ensure correct assembly.



COT ASSEMBLY

2. Lay down the cot onto the assembled panel. Attach one end of the mattress base to an end panel using 4 assembly bolts (D) and 4 nuts (F). Secure with the Allen key, leaving bolts a bit loose.



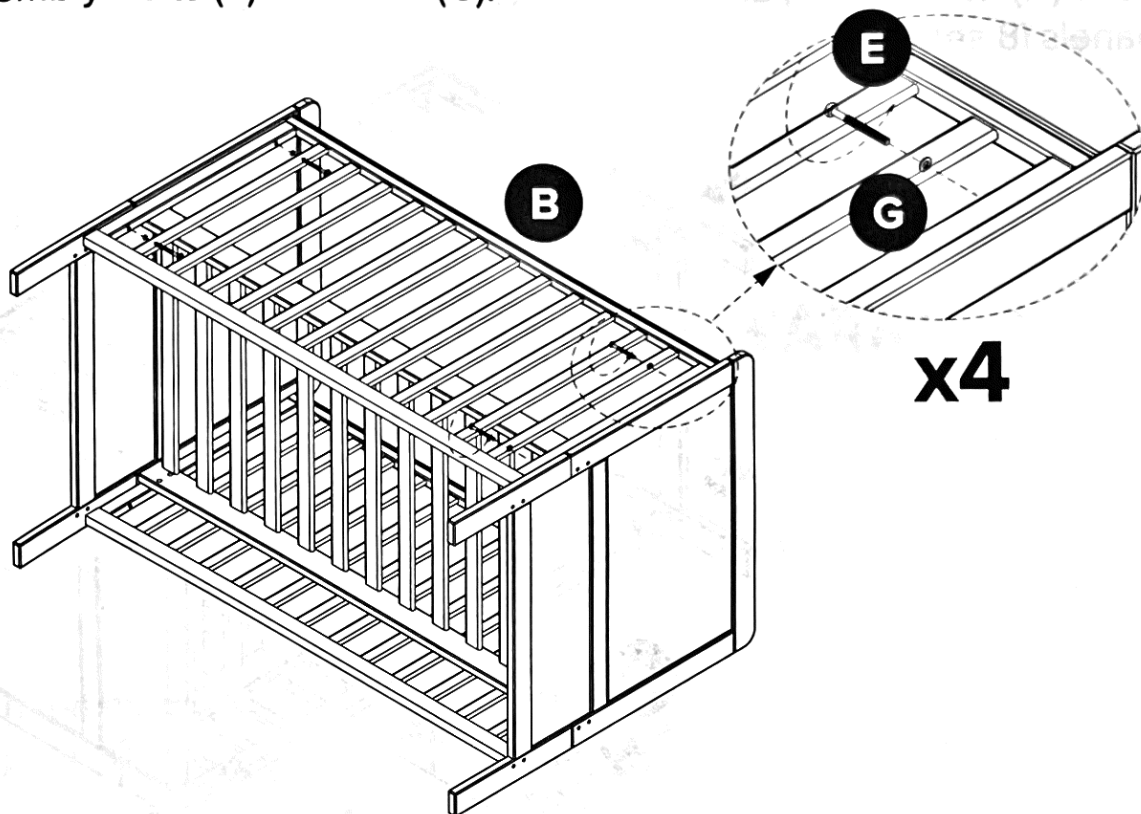
WARNING



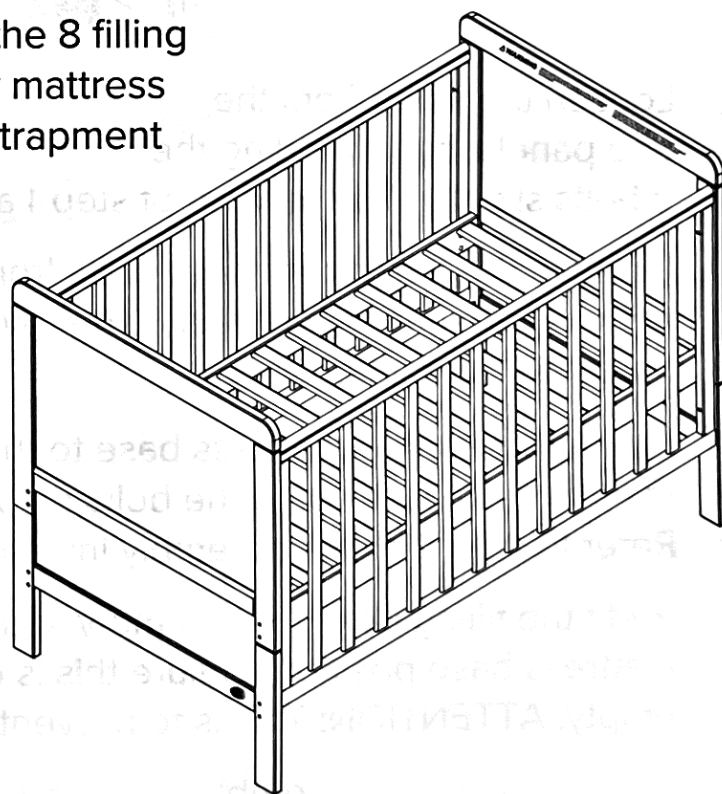
MATTRESS BASE 'THIS SIDE UP' LABEL MUST BE FACING UPWARD WHEN MATTRESS BASE IS INSTALLED

COT ASSEMBLY

3. Attach the remaining side panel by positioning it between the 2 end panels before fixing them together using the remaining 4 sets of assembly bolts (E) and nuts (G).



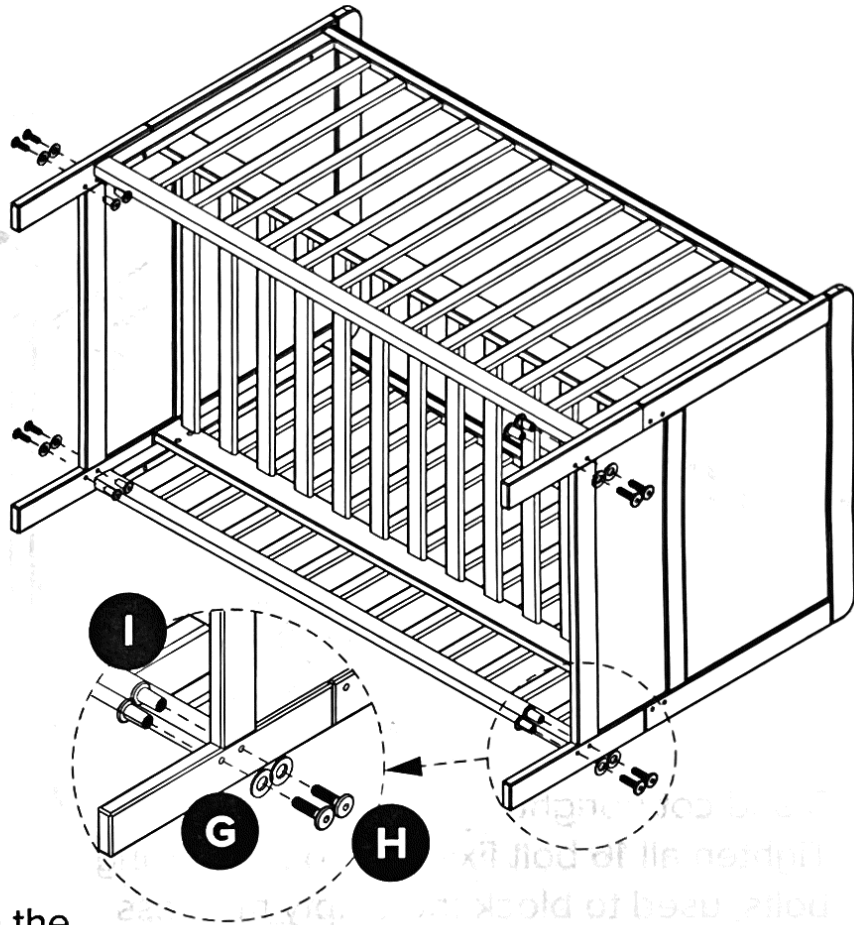
4. Stand cot upright.
Tighten all 16 bolt fixings and the 8 filling bolts, used to block the empty mattress position to prevent a finger entrapment hazard.



The Cot is now ready for use.

CHANGING MATTRESS HEIGHT

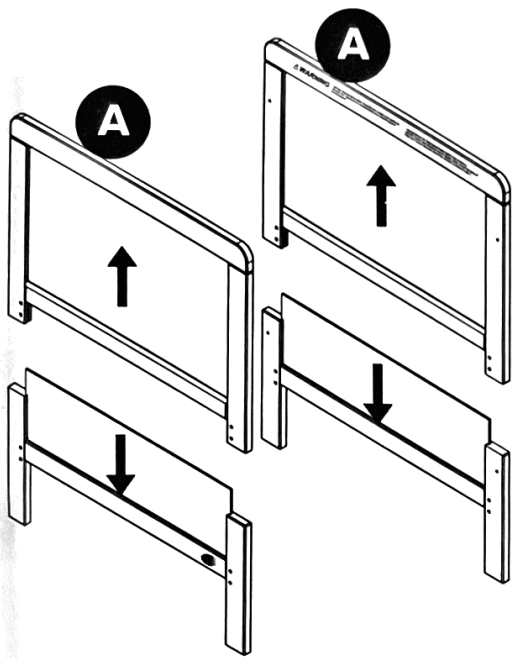
1. Lay down the cot on one side before removing the 4 sets of filler bolts (H), washers (G) and filler nuts (I) from each of the end panels (8 sets total).



3. Loosen the sides from the end panels, by unwinding the 8 bolts slightly. The reverse of step 1 and 3 of assembly instructions.
4. Remove the 8 mattress base bolts from the end panels, allowing the mattress base to move freely. The reverse of step 2 from the assembly instructions.
5. Carefully slide the mattress base to the new position, and reattach the mattress base using the bolts previously removed in step 4. Refer to step 2 of the assembly instructions if needed.
6. Re-fit the filling bolts to the empty spaces left by the previous mattress base position. Ensure this is completed. Do not leave empty. **ATTENTION:** This is to prevent a finger entrapment hazard.
7. Tighten all 16 cot assembly bolts and 8 filling bolts.

TODDLER BED ASSEMBLY

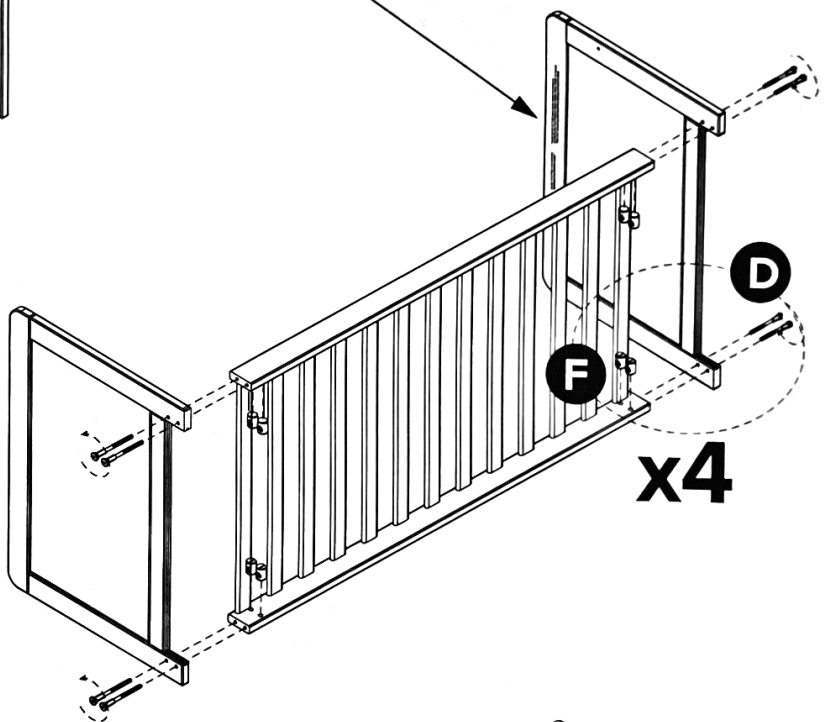
Split the end panels into upper and bottom sections.



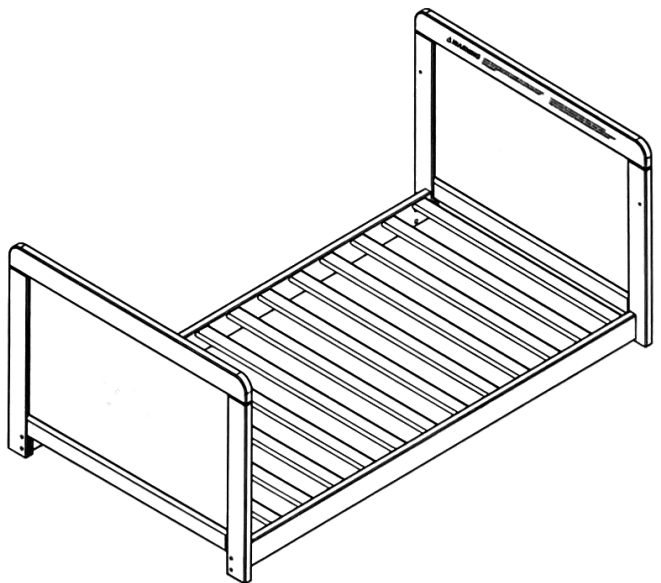
2. Attach the mattress base to upper end panels using 8 sets of cot assembly bolts (D) and nuts (E) as below.

ATTENTION: Tighten all assembly bolts.

⚠ WARNING



3. Stand bed upright.



The Bed is now ready for use.