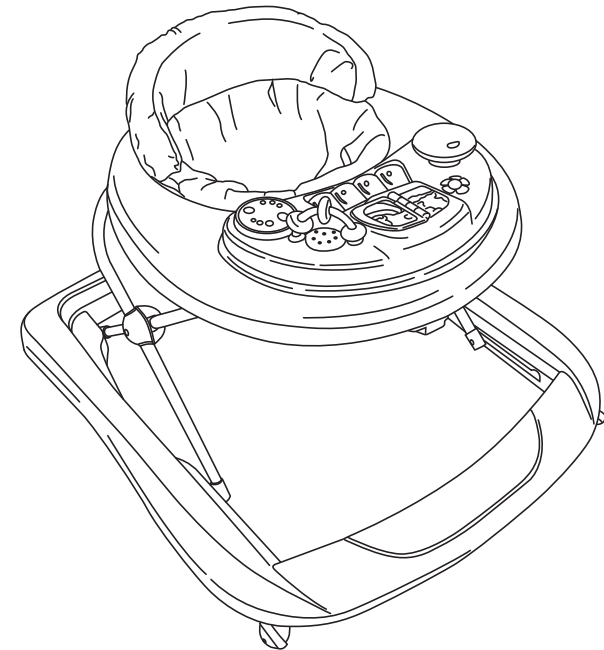


# Woodland Walker



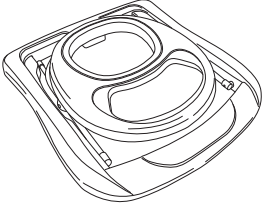
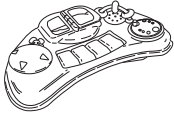

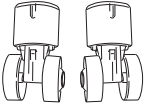

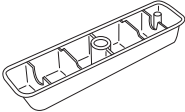
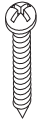
**IMPORTANT: KEEP FOR FUTURE  
REFERENCE. READ CAREFULLY**



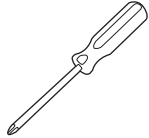
# Care & Maintenance

This product requires regular maintenance to keep it in good working order. Regularly check all parts of the product to ensure that they are operating correctly and for signs of wear or damage. Only replacement parts supplied or recommended by the manufacturer should be used. Refer to care label on the product for cleaning instructions for fabrics. Clean metal or plastic components with mild detergent and warm water. Never use abrasive, ammonia based, bleach based or spirit type cleaners. Ensure the product is fully dry before use or storage.

# Parts

A x1 	B x1 	C x1 
D x2 	E x2 	F x6 
G x6 		

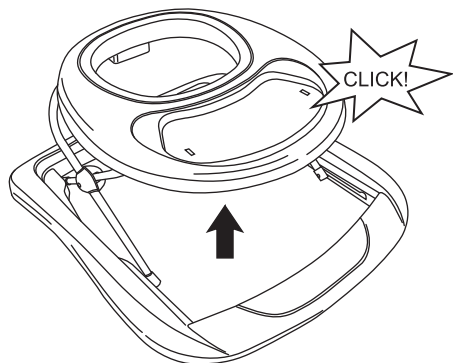
Tools required

 not included

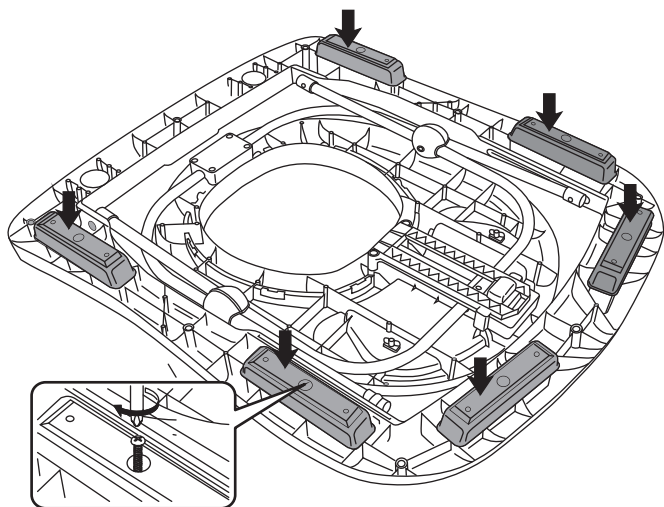
cross head screwdriver

# Assembly

1. Unpack all contents and check that all parts are present before starting assembly. Please refer to parts list.  
To open the baby walker (A), raise the tray to the middle position as shown. The top tray will click when in position



2. Place walker on a solid flat surface with bottom of base facing upwards. Insert the anti-slip strips (F) into the required holes. Secure the strips with screw (G).  
**WARNING!** Ensure all 6 anti-slip strip are attached securely before beginning use.



# Safety

## ⚠ CAUTION: TO AVOID INJURY OR DEATH.

Read these instructions carefully before use and keep for future reference. The child may be hurt if you do not follow these instructions.

⚠ **WARNING:** Never leave the child unattended. Always keep child in view while in walker.

⚠ **WARNING:** Do not use until the baby can sit upright by itself.

⚠ **WARNING:** The walker is not intended for babies that can already walk unassisted.

⚠ **WARNING - STAIR HAZARD:** Avoid serious injury or death. Block stairs/ steps securely before using walker even when using parking brake.

⚠ **WARNING:** Clean friction components regularly to maintain stopping performance.

⚠ **WARNING:** Use only on flat surfaces free of objects that could cause the walker to tip over.

⚠ **WARNING:** To avoid burns, keep the child away from hot liquids, ranges, radiators, space heaters, fireplaces etc.

- Prevent access to stairs, steps and uneven surfaces.
  - Guard all fires, heatings and cooking appliances.
  - Remove hot liquids, electrical flexes and other potential hazards from reach.
  - Prevent collisions with glass in doors, windows and furniture.
  - Check that tabs on the seat unit are fitted correctly and securely fitted before use.
  - Do not use the baby walking frame if any components are broken or missing.
  - This baby walking frame should be used only for short periods of time (e.g. 20mins).
  - This baby walking frame is intended to be used by children who can sit unaided, approximately from 6 months. It is not intended for children weighing more than 12kg or/ and more than 78cm in height.
  - Do not use replacement parts other than those approved by the manufacturer or distributor.
  - Do not lift the walker by the tray and toys.
  - Do not lift the walker while the baby is in the seat unit.
- Complies with EN 1273 : 2005 & ASTM F9077-12

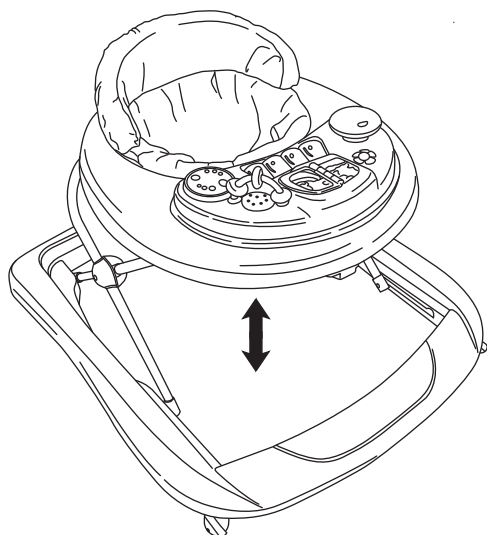
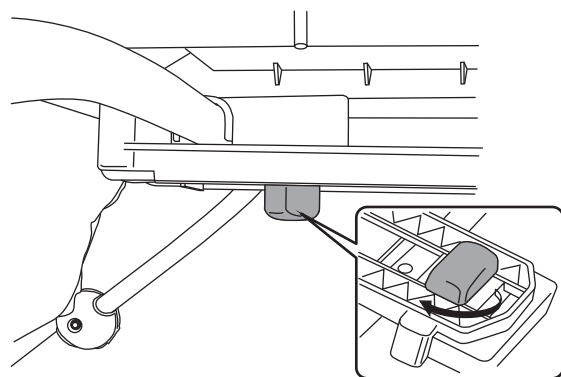
## Adjusting the Seat Height/ Folding

The baby walker has 3 different heights. To adjust heights, remove baby from walker. Rotate the safety button and press in until the mechanism is released. Adjust to desired height.

Once mechanism is released, walker can be pushed down to fold.

**WARNING!** When the position has been selected, check the safety button is turned 90° to prevent the accidental release.

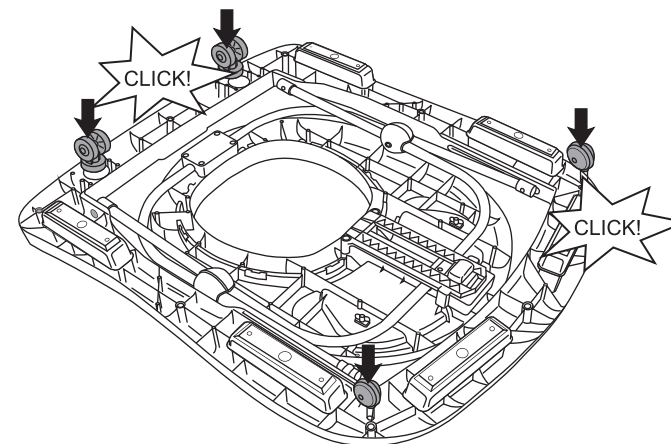
Ensure the baby is not in the walker when you are adjusting height and ensure the mechanism is locked before placing baby in walker.



## Assembly

**3.** Next, insert the pins of the wheels into their housing. Wheels (D) should be assembled to the rear, and wheels (E) to be assembled to the front of walker base. Press until they click into position.

**WARNING!** Ensure you have installed the wheels properly before continuing.

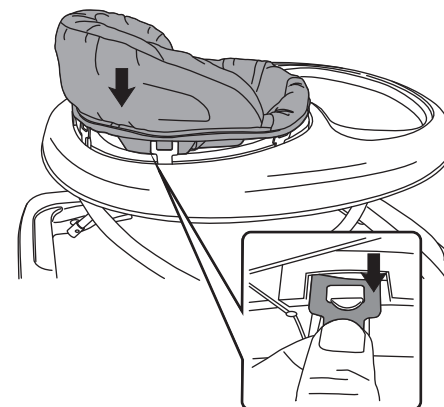


**4.** Insert the tabs on the seat pad (C) into slots located around the walker top tray seat ring.

Push down over allocated hooks around seat ring, to secure.

**NOTE.** Push down on seating area of seat pad to ensure seat is securely in place.

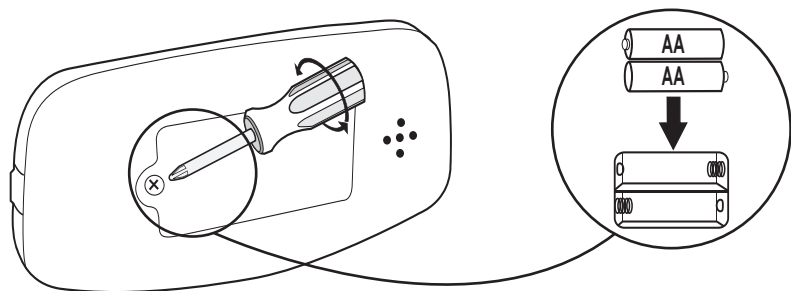
**WARNING!** Do not use walker if all tabs are not secured properly.



# Assembly

5. The toy tray (B) requires 2 x "AA" batteries (not included). Use a screw driver to unfasten battery cover. Insert batteries. Secure battery cover back into position.

WARNING! Remove battery before storing the toy tray.



**⚠ CAUTION: TO PREVENT BATTERY LEAKAGE:**

- Be sure to insert correctly and always follow the toy and battery manufacturer's instructions.
- Never mix old and new batteries (replace all batteries at the same time)
- Never mix Alkaline standard (Carbon Zinc) or rechargeable (Nickel-Cadium) batteries.
- Use only batteries of the same equivalent type as recommended.
- Do not use RECHARGEABLE batteries.

**ATTENTION:**

- Batteries should be installed by adult only.
- Do not recharge non-rechargeable batteries.
- Always remove exhausted or dead batteries from the product; do not dispose of in fire.
- Remove batteries from product before extended storage.
- Do not short circuit the supply terminals.
- Batteries may explode or leak if misused.

**Note. batteries not included.**

# Assembly

5. Once batteries are assembled, attach the toy tray (B) to the walker. Place the toy tray into the allocated slot on the top tray. Secure either side by rotating the joint underneath the top tray.

To remove the toy tray, rotate the joint back and lift from walker top tray.

