



Ultima

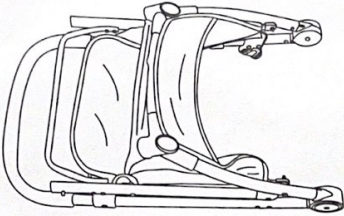
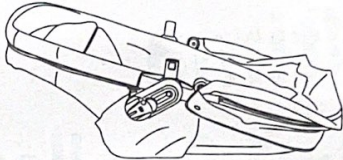

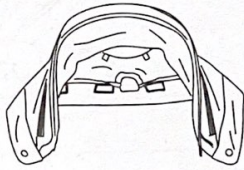

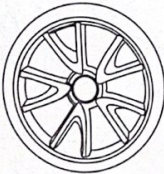
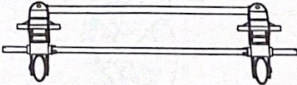
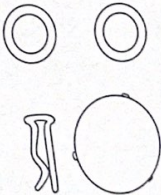
2 in 1 Stroller

Instruction Manual



**IMPORTANT:
RETAIN FOR FUTURE REFERENCE
READ CAREFULLY**

Parts List

<p>A</p>  <p>chassis x1</p>	<p>B</p>  <p>seat unit x1</p>	
<p>C</p>  <p>bumper bar x1</p>	<p>D</p>  <p>canopy x1</p>	<p>E</p>  <p>front wheels x2</p>
<p>F</p>  <p>rear wheels x2</p>	<p>G</p>  <p>rear wheel axle x1</p>	<p>H</p>  <p>rear wheel fittings x2</p>

Safety

⚠ CAUTION:
TO AVOID INJURY

Read these instructions carefully for reference. The child may be injured.

⚠ WARNING!

⚠ WARNING!
the stroller is stationary.

⚠ WARNING!

⚠ WARNING!

⚠ WARNING!
this stroller.

⚠ WARNING!
moving parts if you are injured.


⚠ WARNING!


⚠ WARNING!
stroller rolling away.

Safety


CAUTION: **TO AVOID INJURY OR DEATH**


Read these instructions carefully before use and keep for future reference. The child may be hurt if you do not follow these instructions.


 **WARNING!** Follow the manufacturers instructions.


 **WARNING!** Always apply the brakes whenever the stroller is stationary.


 **WARNING!** Do not leave the child unattended.

 **WARNING!** Secure the child in the harness at all times.


 **WARNING!** Do not carry extra children or bags on this stroller.


 **WARNING!** Make sure children are clear of any moving parts if you adjust the stroller. Otherwise they may be injured.

 **WARNING!** Use the harness at all times.

 **WARNING!** Use the tether strap to stop the stroller rolling away.

Safety

 **WARNING!** check that the pram body or seat unit attachment devices are correctly engaged before use.

 **WARNING!** the product is not suitable for running or skating.

Remember, your child's safety is your responsibility:

- Always fit and use the tether strap when the stroller is in use.
- When using the stroller, always ensure your hand is positioned in and around the tether strap. The strap is a compulsory safety feature which must be used at all times. It is for the safety and benefit of your child.
- This product is suitable for one child in an upright or reclined position from birth and up to 15kg.
- The stroller will become unstable if the manufacturer's recommended load is exceeded.
- The correct use and maintenance of this stroller are essential.
- Be sure that all clamps and buckles are securely fixed and in place before use.
- When in the stroller, your child must always wear the safety harness, correctly fitted and adjusted, at all times.
- Always use the harness correctly fitted and adjusted, with your child in the seat.
- Never leave the harness buckles when not fitted to a child in the stroller because the harness can form loops which may pose a strangulation hazard.
- When in use, the head of the child in the product should never be lower than the body of the child.
- Use the stroller on flat or gentle sloping surfaces. It may be unstable on higher sloping and uneven surfaces - be aware of the possibility of the stroller tipping over.
- Care should be taken if the stroller is used on stairs or escalators.
- Care must be taken when folding and unfolding the product to prevent finger entrapment.

Safety

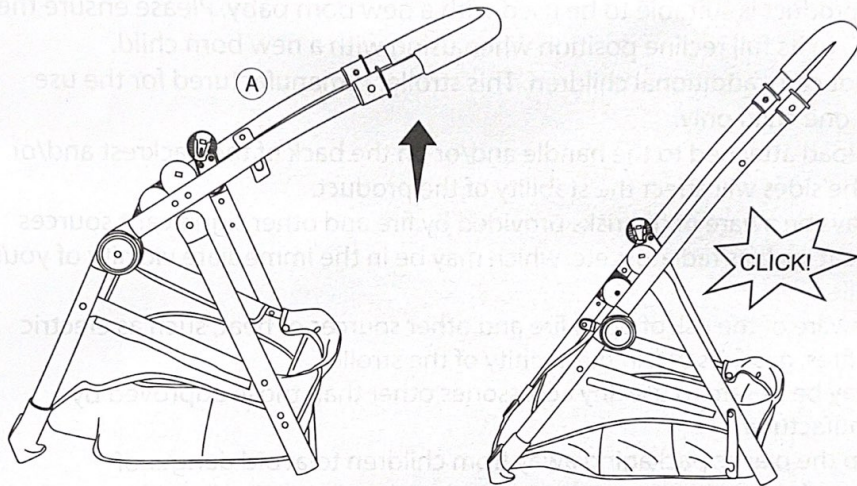
- Check all parts before use for breakage or fatigue. Discontinue use immediately if any part is found to be damaged or broken.
- The basket can carry a maximum load of 5kg.
- This product is suitable to be used with a new born baby. Please ensure the seat is in its full recline position when using with a new born child.
- Do not carry additional children. This stroller is manufactured for the use with one child only.
- Any load attached to the handle and/or on the back of the backrest and/or on the sides will affect the stability of the product.
- Always be aware of the risks provided by fire and other significant sources of heat such as radiators etc. which may be in the immediate vicinity of your stroller.
- Be aware of the risk of open fire and other sources of heat, such as electric bar fires, gas fires etc. in the vicinity of the stroller.
- It may be unsafe to use any accessories other than those approved by manufacturer.
- Keep the plastic packaging away from children to avoid danger of suffocation.
- Take extra care in windy conditions.
- Lift and carry the stroller safely. Please ensure all locking devices are engaged before lifting stroller - injuries can occur from moving parts.
- Only carry stroller if folded and locking or storage latches are engaged. Please apply storage latch if latch does not engage automatically.
- Never leave a raincover, hood or apron on the product indoors, in a hot atmosphere or near a heat source, as your child may overheat
- To prevent damage, always remove a raincover before folding the pram.
- This product is intended for domestic use only. It is not for commercial use.

This product conforms to AS/NZS 2088:2013

Assembly

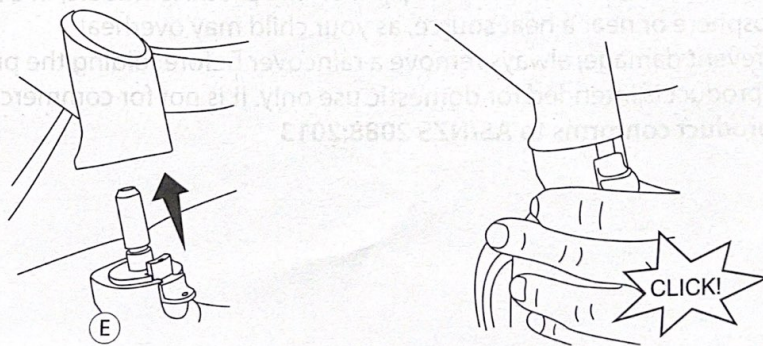
1. Pull the handle bar up to unfold the chassis (A).

NOTE. The folding mechanism will “click” into place when the legs are fully extended.



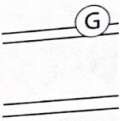
2. Lean the chassis backwards and push each front wheel (E) assembly into the front wheel housing until the lock into place.

NOTE. Pull on the wheel assembly to ensure that it is securely attached to the chassis.



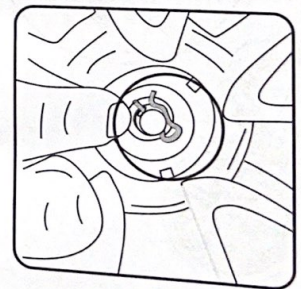
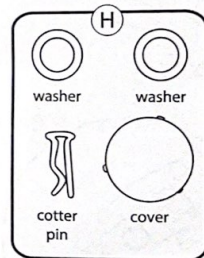
Assembly

3a. Attach the rear wheel a



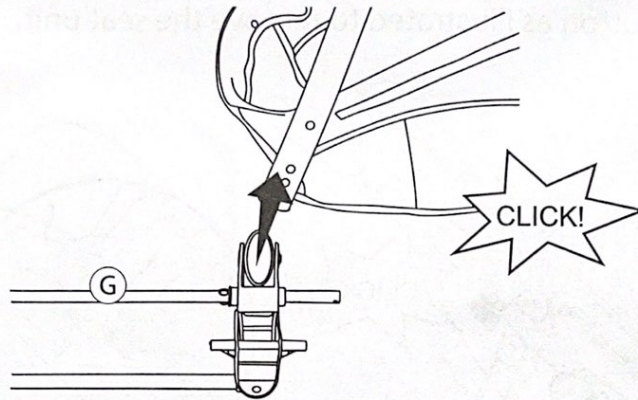
3b. Use the rear wheel fitti
As illustrated, assemble a v
another washer.

3c. Insert the cotter pin thr
cover. Repeat steps for the



Assembly

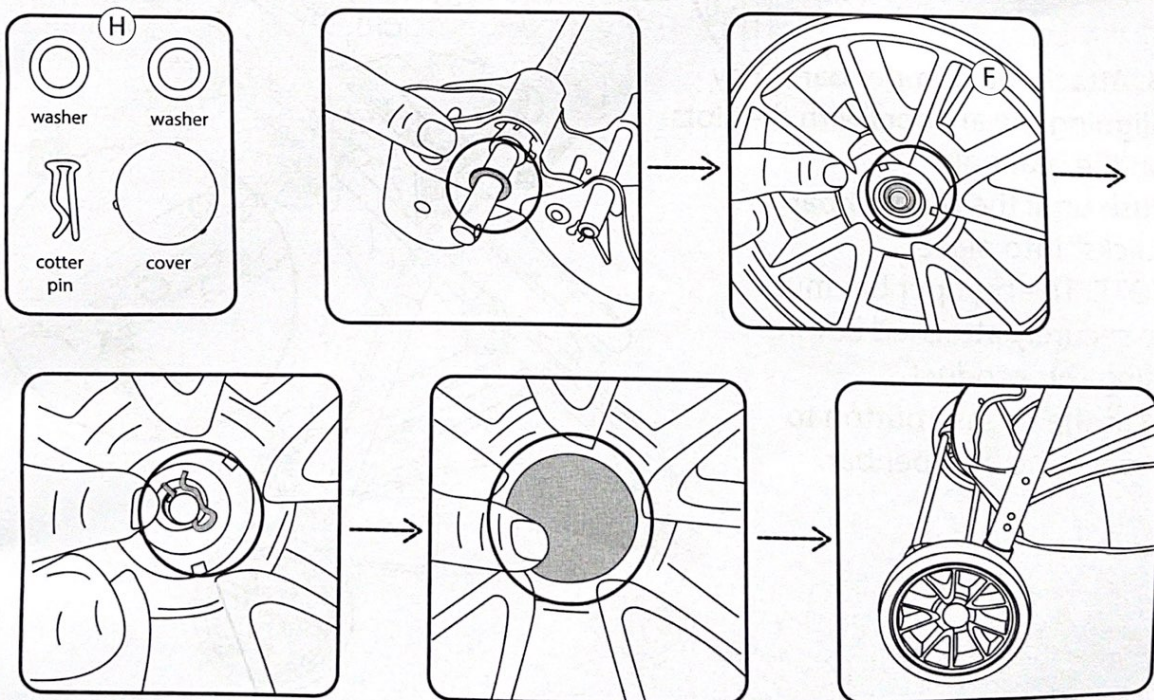
3a. Attach the rear wheel axle (G) to the chassis.



3b. Use the rear wheel fittings (H) for the next steps.

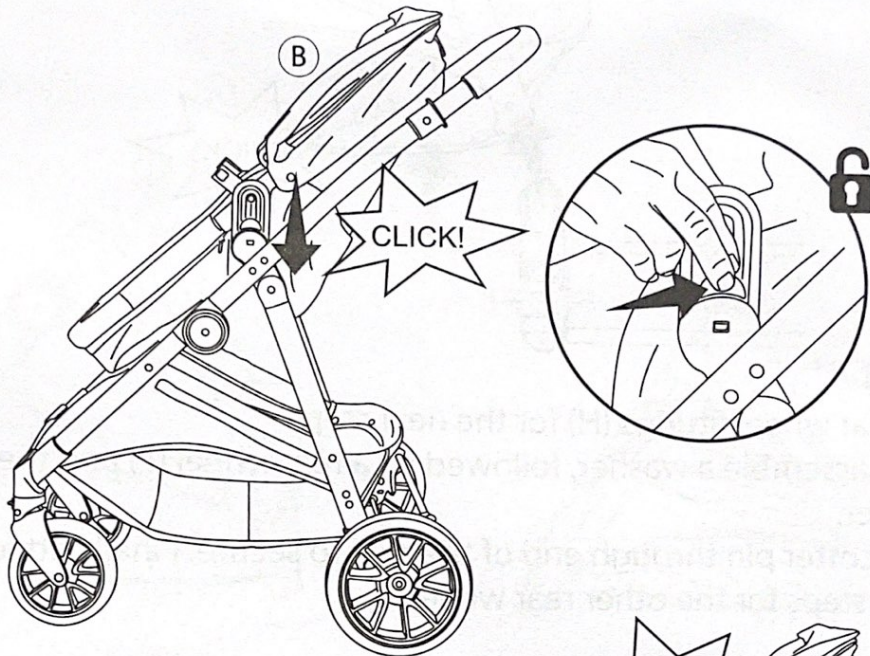
As illustrated, assemble a washer, followed by a rear wheel (F) and then another washer.

3c. Insert the cotter pin through end of the axle to secure. Finally attach the cover. Repeat steps for the other rear wheel.

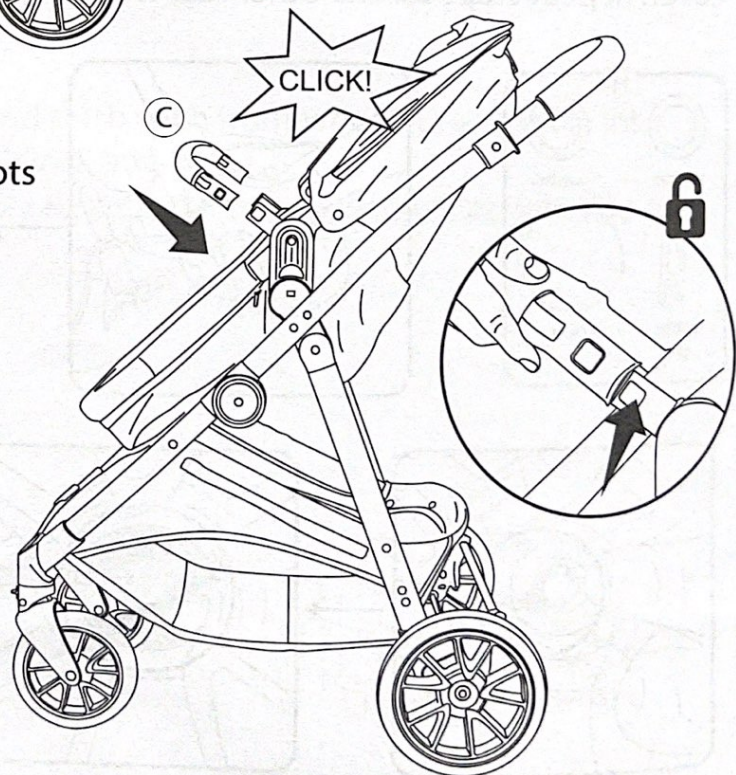


Assembly

4. Align the seat unit (B) with the anchors on the side of the chassis and push them together until they “click” securely. Press the release button as illustrated to remove the seat unit.

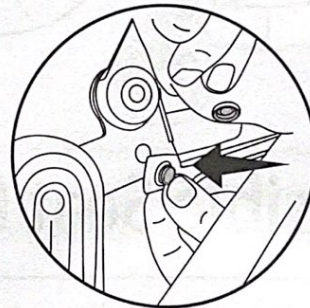
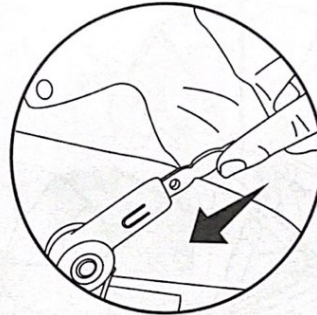
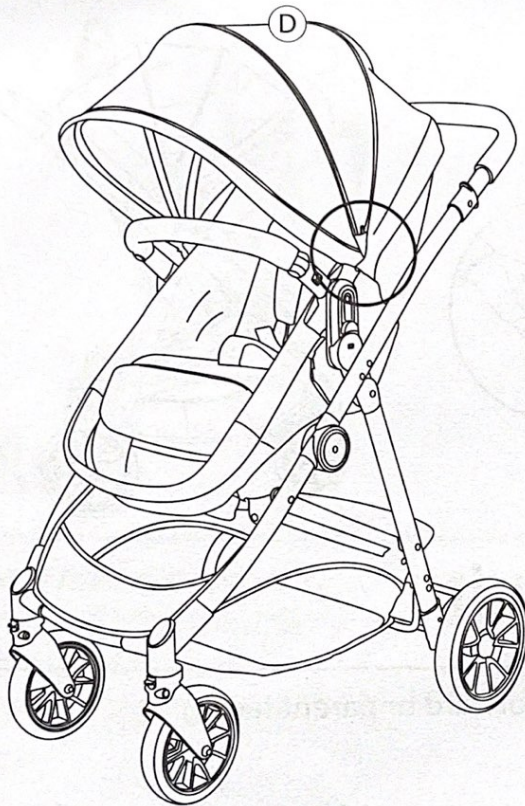


5. Attach the bumper bar (C) by aligning the anchors with the slots on the seat unit. Push until the bumper bar “clicks” into place. NOTE. The bumper bar must be securely attached before using this product. Press the release button to remove the bumper bar.



Assembly

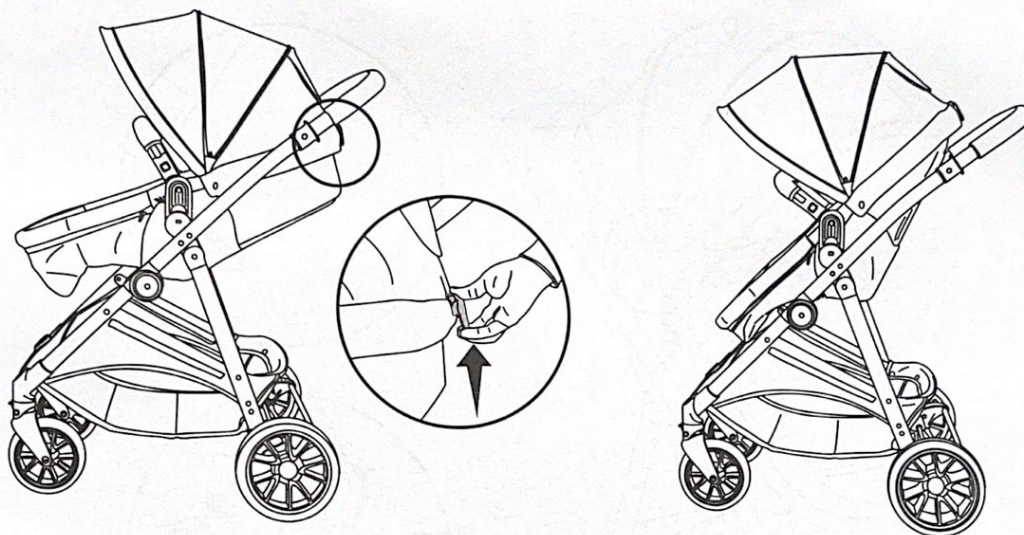
6. Insert the bow of the canopy (D) into the anchors on the seat unit until it "clicks" into place. Fasten the snap buttons and do the zip.



Backrest Adjustment

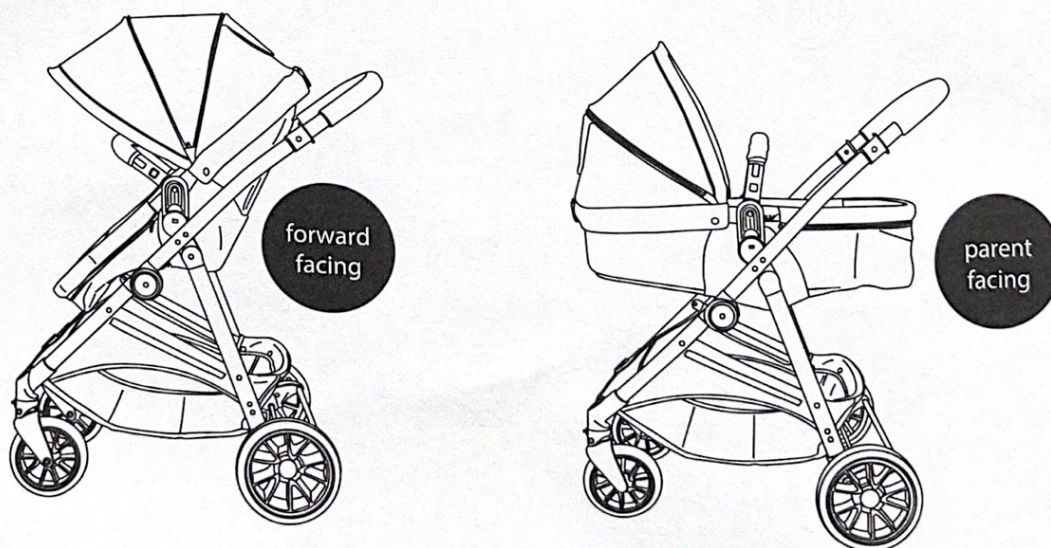
The seat can be adjusted into upright, half-reclined and reclined positions. Pull up the recline lever on the rear of the seat unit and adjust the seat into the desired position.

NOTE. The footrest will adjust as the backrest is adjusted.



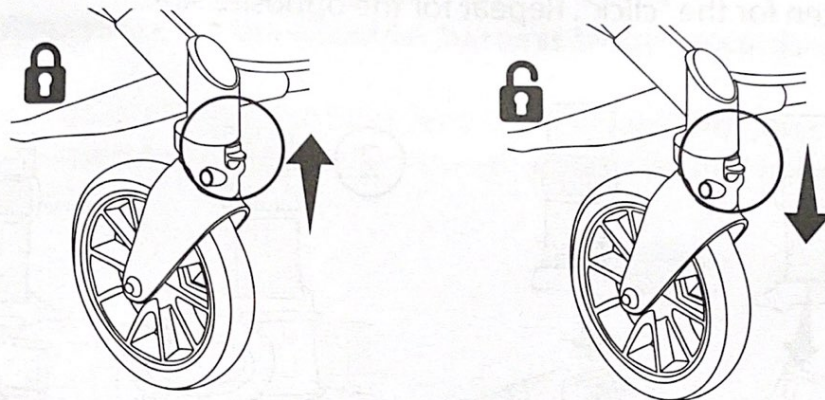
Reversible Seat Unit

The seat unit is reversible. It can be forward or parent facing.



Swivel Wheels

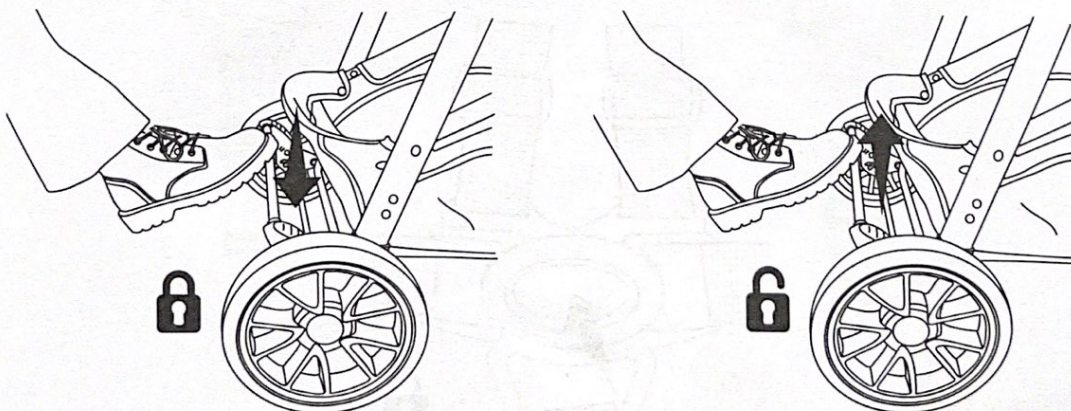
The front wheels are equipped with a swivel locking device. Push the button on each wheel up to fix the locks and push down to disengage the locks.



Brakes

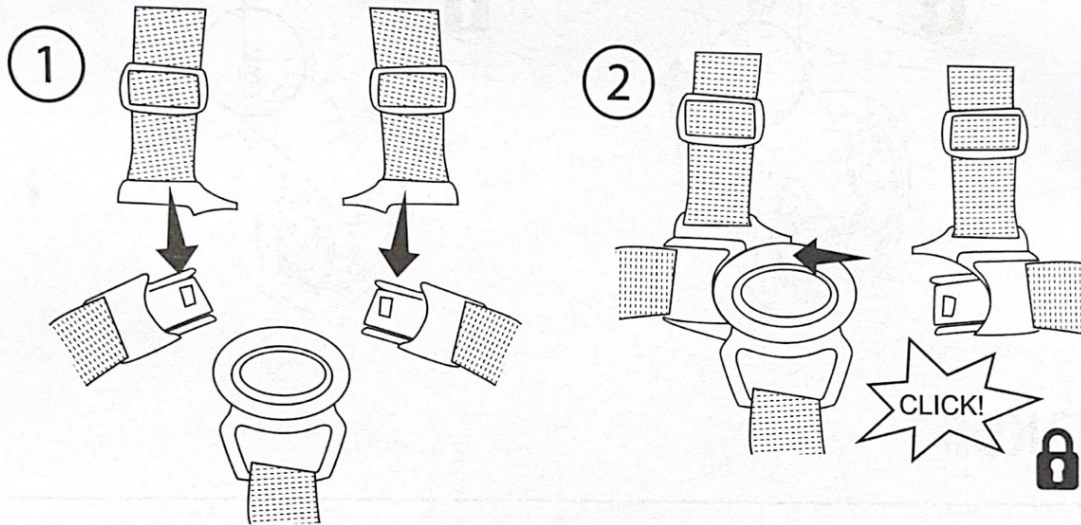
To engage brakes, apply downward pressure to the brake lever located on the rear axle. Check that the stroller does not move once the brakes are properly applied.

To release, gently lift up on the brake lever.

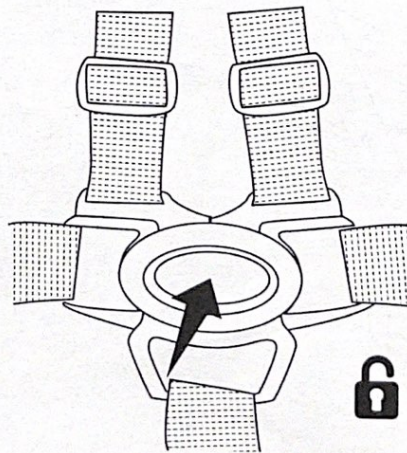


Harness

1. Slide the shoulder strap buckle onto the housing of the waist strap buckle. Repeat for the other side.
2. Insert the completed buckle into the buckle housing until it engages securely in place. Listen for the "click". Repeat for the opposite side.



3. Press the centre button to release child from harness.



Harness

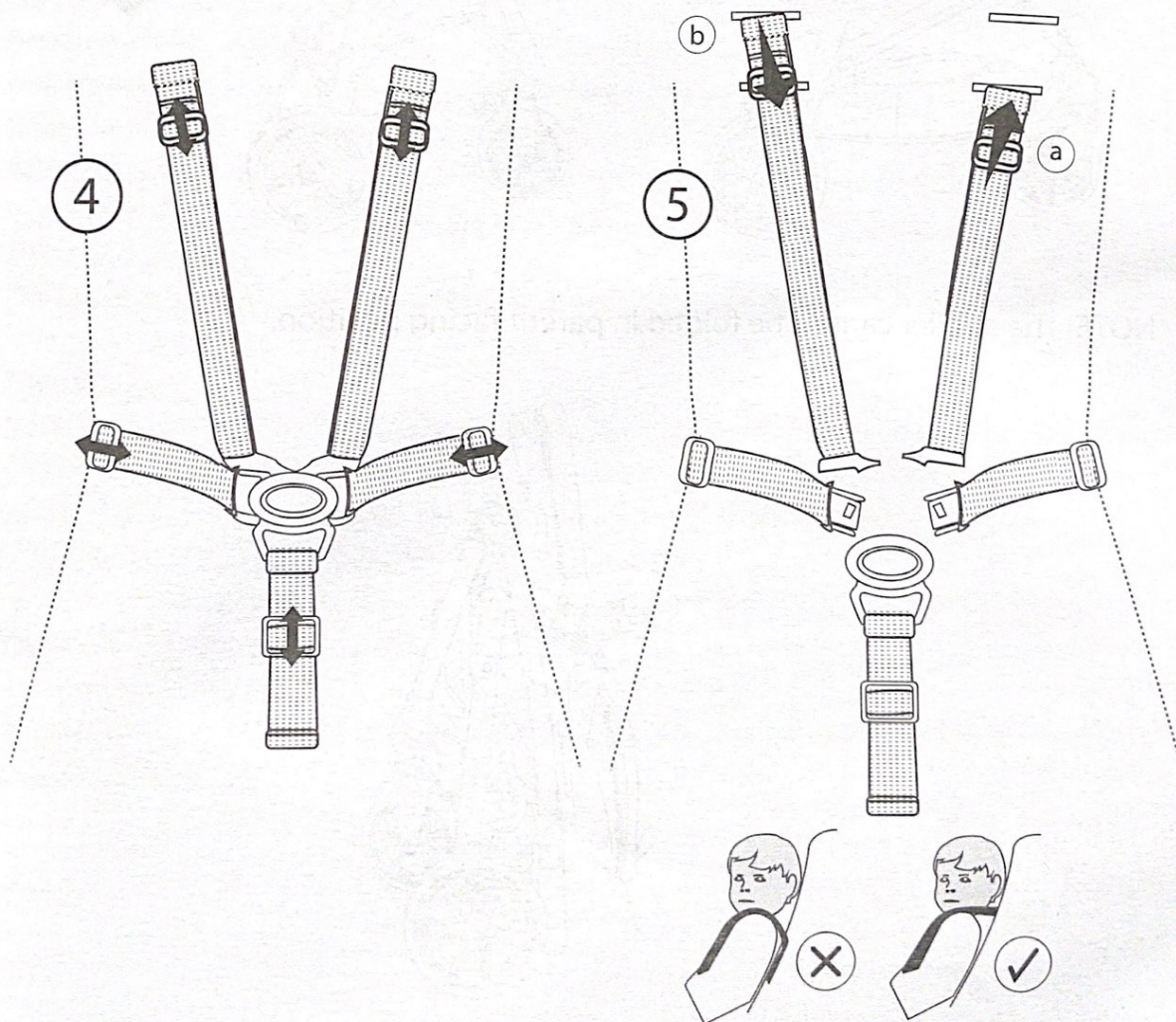
4. To adjust the harness, move the slides as shown.

WARNING! Always adjust the harness to fit your child correctly for their comfort and safety. A loose fitting harness can be very dangerous.

5. The stroller has 2 shoulder height positions.

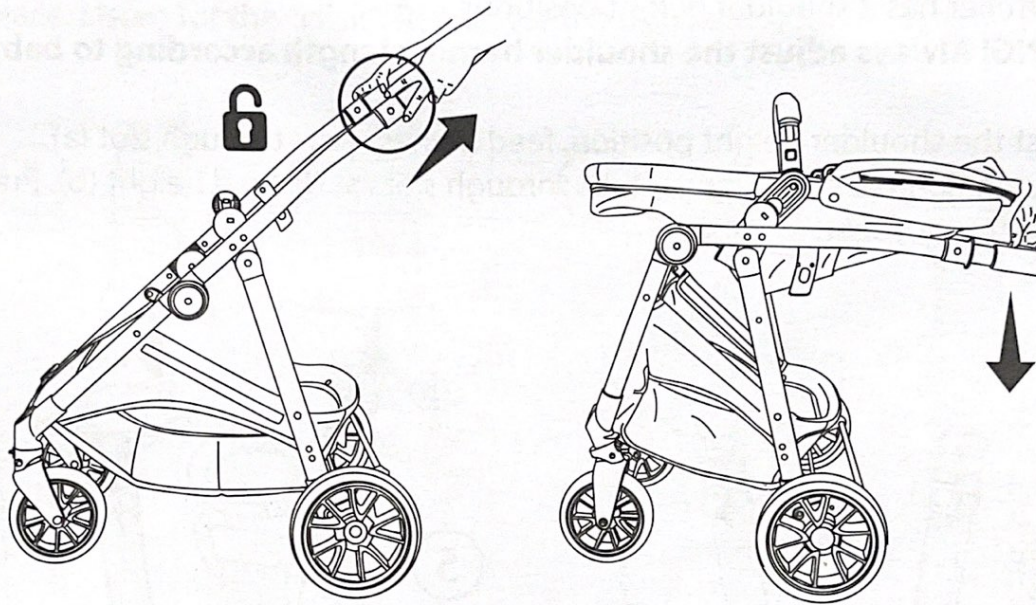
WARNING! Always adjust the shoulder harness length according to baby height.

To adjust the shoulder height position, feed harness tabs through slot (a) in seat unit. Re-insert the harness tabs through slots at desired height (b). Pull out from front of seat.

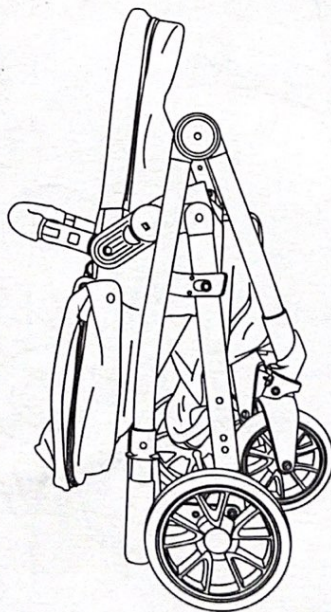


Folding

1. Fold the canopy and apply the brake.
2. Pull both release triggers and push the handle toward the floor.



NOTE. The stroller cannot be folded in parent facing position.



Care

Maintenance:

The product requires regular maintenance to ensure correct and safe performance.

Regularly inspect the wheels, locks, brakes, harness, catches, seat adjusters, joints and fixings to ensure they are clean, operating correctly and in full working order.

Replace tyres if they are excessively worn.

Do not use this product if any part is broken, torn or missing and use only spares provided by the manufacturer.

If parts become stiff or difficult to operate, ensure dirt is not the cause, then try a light application of a silicon lubricant, ensuring it penetrates between the components. Regular lubrication of moving parts will extend the life of your product and make opening and folding easier.

The stroller should be serviced and reconditioned before using for a second baby, or within 18 months, whichever is sooner.

After exposure to damp conditions, dry off with a soft cloth and leave fully open in a warm environment. Storing damp will encourage mildew to form. Store in a dry place.

Do not leave in sunlight for prolonged periods as some fabrics may fade.

Cleaning:

Spot or sponge clean fabrics with mild detergent. Use mild soap or upholstery shampoo. Wash separately. NEVER use bleach. Dry in shade thoroughly before reuse and avoid direct heat and sunlight. Do not iron. Do not dry clean.

Wipe clean plastics and metals with damp cloth.

Never clean any part of the product with abrasive, ammonia based, bleach based or spirit type cleaners.

Ensure the product is fully dry before use or storage.

Always ensure the product is stored in a dry place to prevent mold or mildew developing.



Supplied by Baby Factory NZ. Ltd.
58 Stonedon Drive, East Tamaki, Auckland, New Zealand

www.babyfactory.co.nz

Due to variation in style and design the illustrations used in this instruction manual are generic.
Variation in design may occur in the images shown.