



# Sprint GT Lite Pushchair

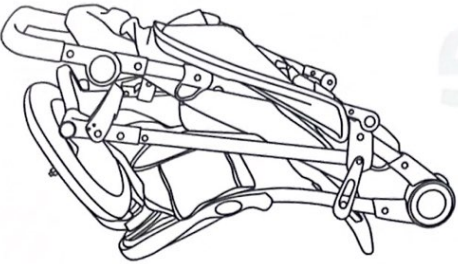


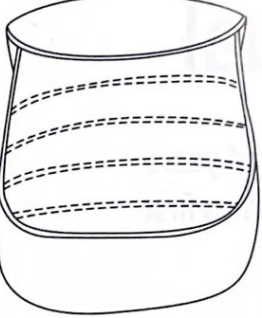
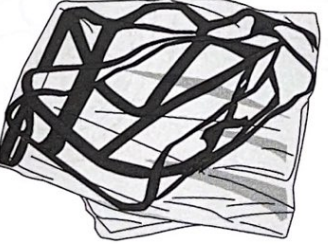
## Instruction Manual

Up to 22 kg or 4 years  
whichever comes first



**IMPORTANT:  
READ CAREFULLY AND KEEP FOR  
FUTURE REFERENCE**

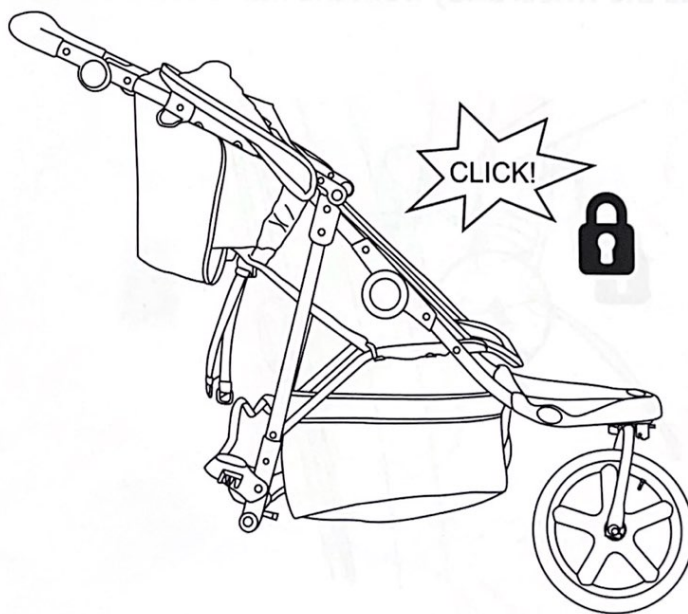
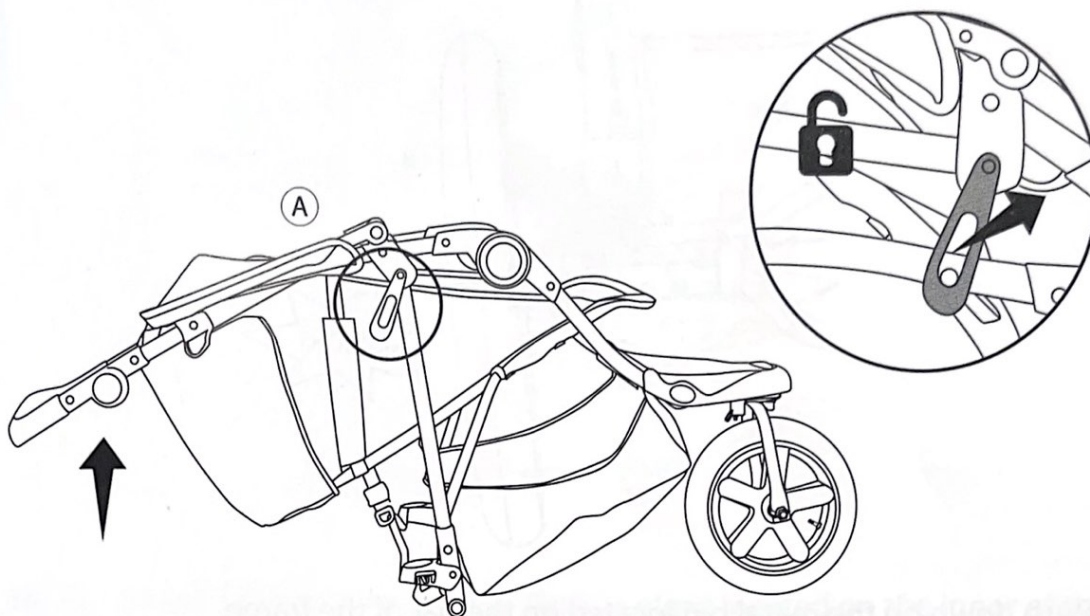
# Parts List

<p><b>A</b></p>  <p>stroller <b>x1</b></p>	<p><b>B</b></p>  <p>rear wheels <b>x2</b></p>
<p><b>C</b></p>  <p>bumper bar <b>x1</b></p>	<p><b>D</b></p>  <p>apron <b>x1</b></p>
<p><b>E</b></p>  <p>raincover <b>x1</b></p>	<p>Accessories that are not approved by the manufacturer shall not be used.</p>

# Assembly

Assembly

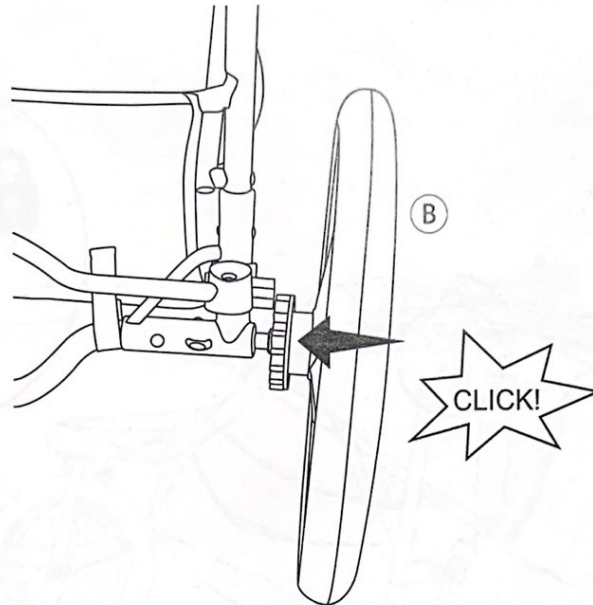
- 1a. Release the storage latch to unfold the stroller (A).
- 1b. Simultaneously lift handle and pull up with a swift motion until an audible "click" is heard. This will ensure the locking mechanism has engaged.



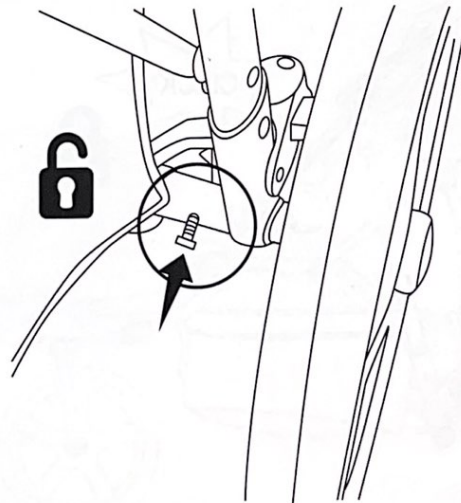


# Assembly

**2a.** Align the round opening on the side of the stroller with the rear wheel (B) axle. Push down on the metal pin located on the bar of the frame. Simultaneously slide the wheel onto the frame until it locks into position.

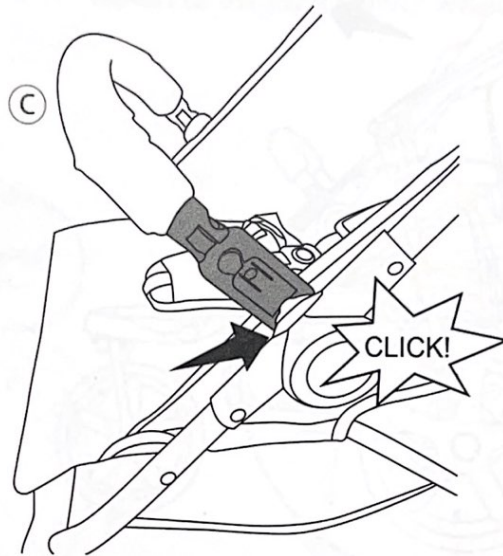


**2b.** Push down on the metal pin located on the bar of the frame. Simultaneously pull the wheel away from the frame to remove.

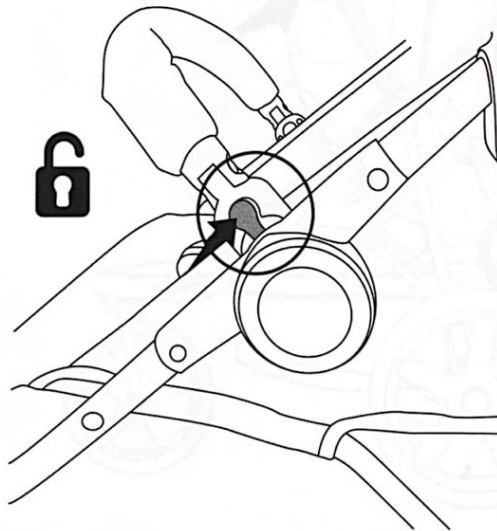


# Assembly

**3a.** Align the bumper bar (C) with the frame. Push down onto the bumper bar until an audible “click” confirms it is secure and in the correct position.

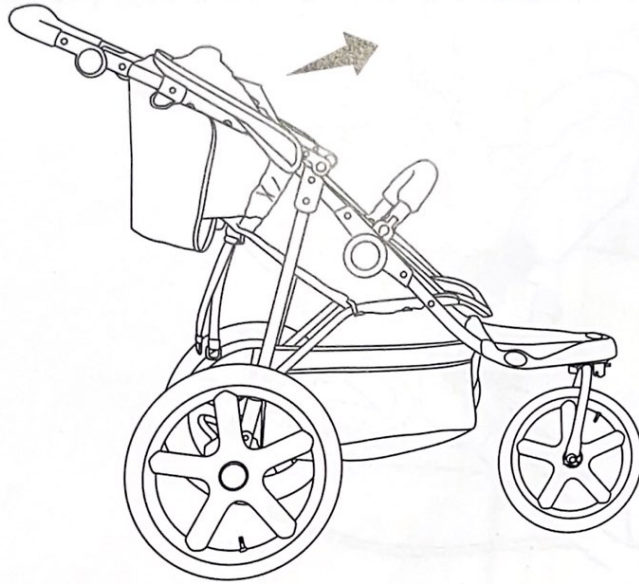


**3b.** To remove bumper bar, push in both buttons located on the inner of the bumper bar and remove from frame.

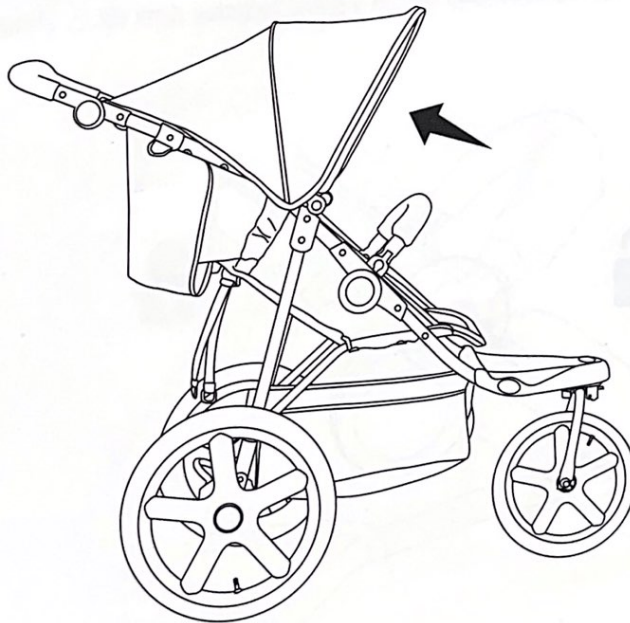


# Canopy

**TO OPEN:** Pull the front edge of the canopy.



**TO FOLD:** Push back on the front edge of the canopy.

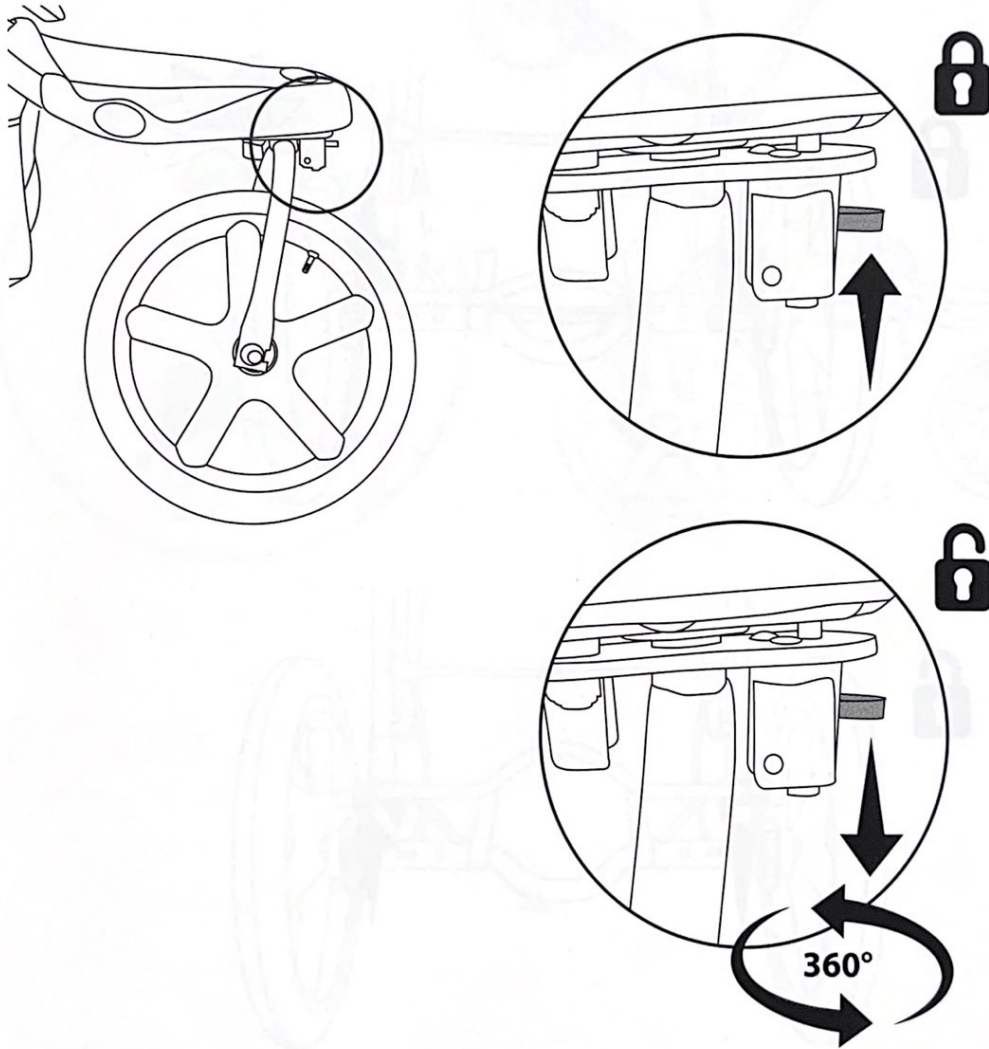


# Front Swivel Wheel

When travelling along straight surfaces or uneven terrain, the front wheels may spin.

**TO LOCK:** Push the lever up to lock.

**TO UNLOCK:** Push the lever down to engage swivel wheel.



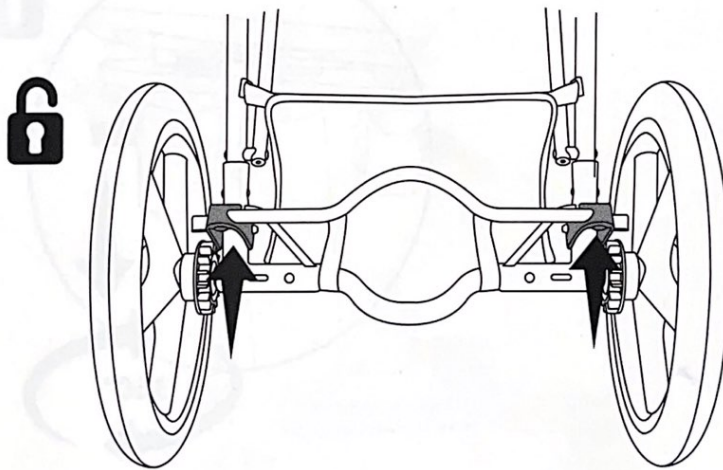
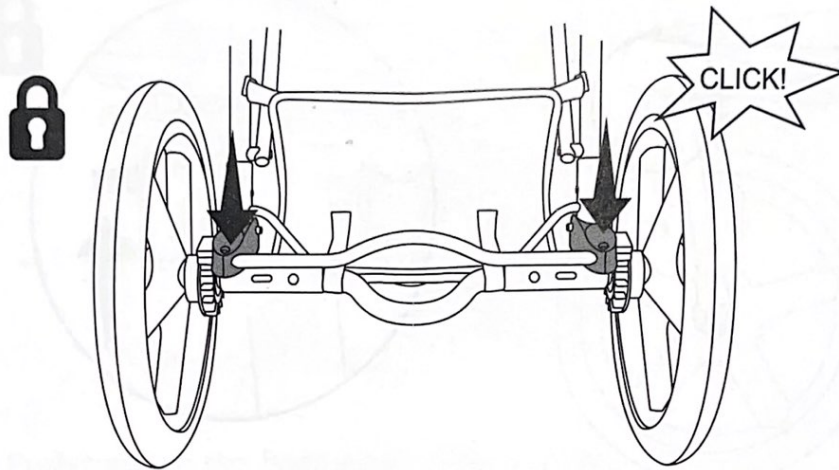


# Brakes

---

To apply the brake, press down firmly on the red brake pedals.

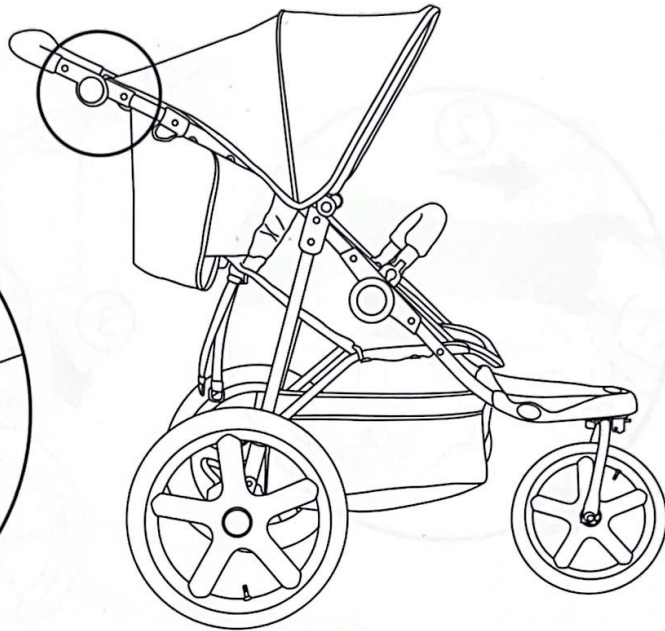
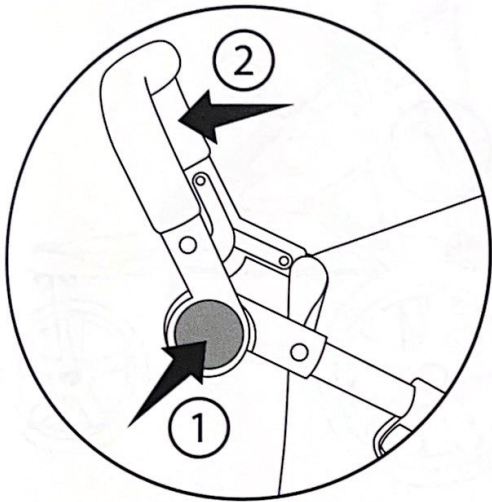
**WARNING! Always engage brakes when the stroller is not moving.**





# Handle Adjustment

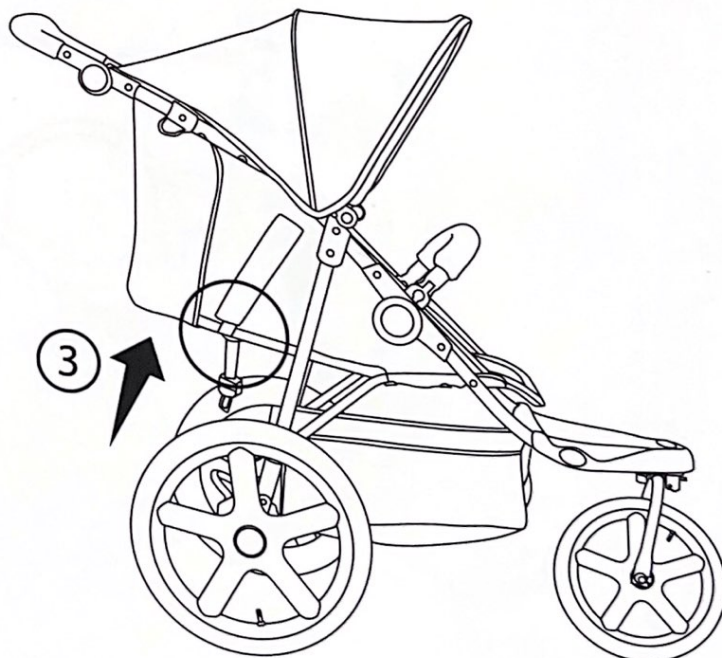
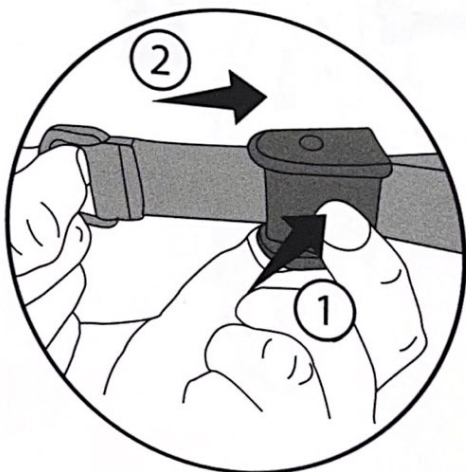
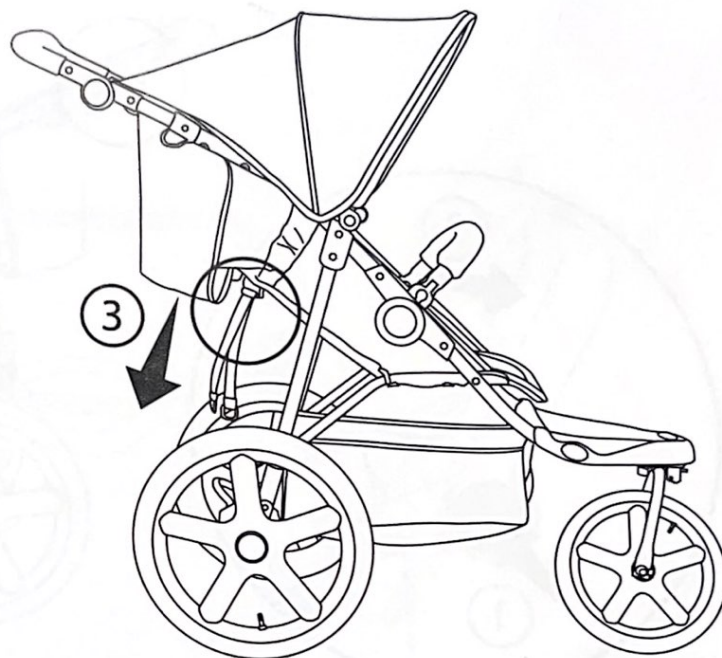
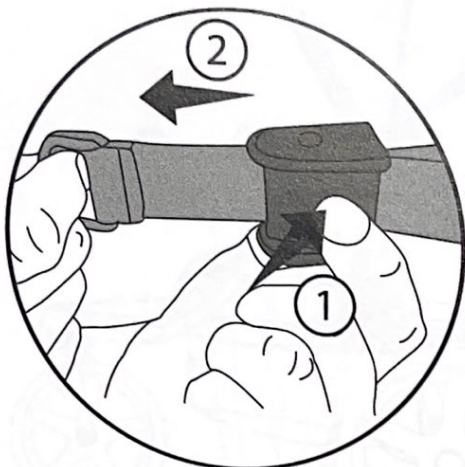
There are two buttons either side of the handle bar. Press both adjustment buttons simultaneously and rotate to the desired position. Listen for "click". There are 6 effective handle positions.



# Backrest Adjustment

**TO LOWER:** Squeeze the clasp to release and pull in a downward motion. Release the clasp once desired position has been reached.

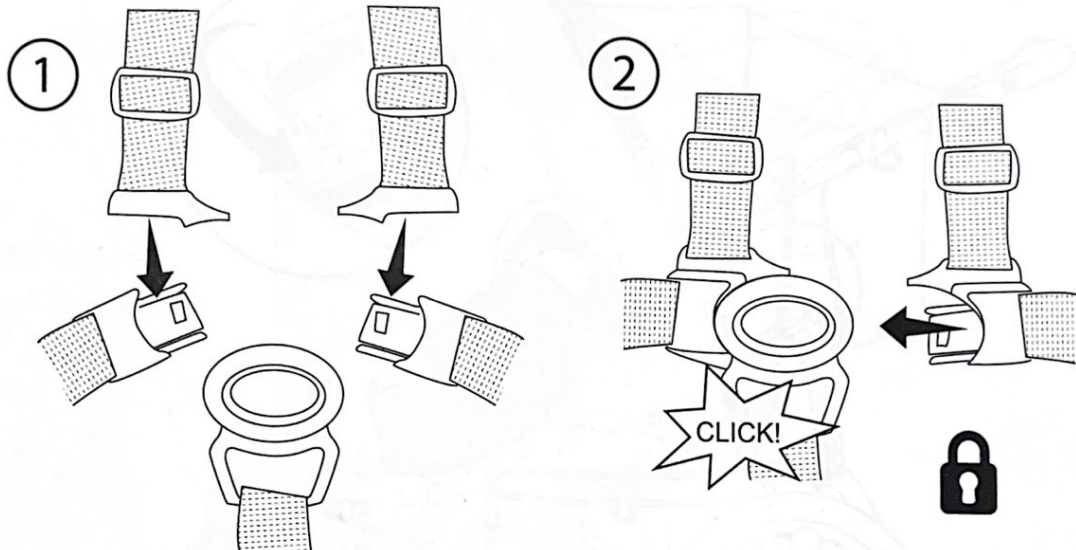
**TO RAISE:** Squeeze the clasp and push whilst sliding upwards to desired position.



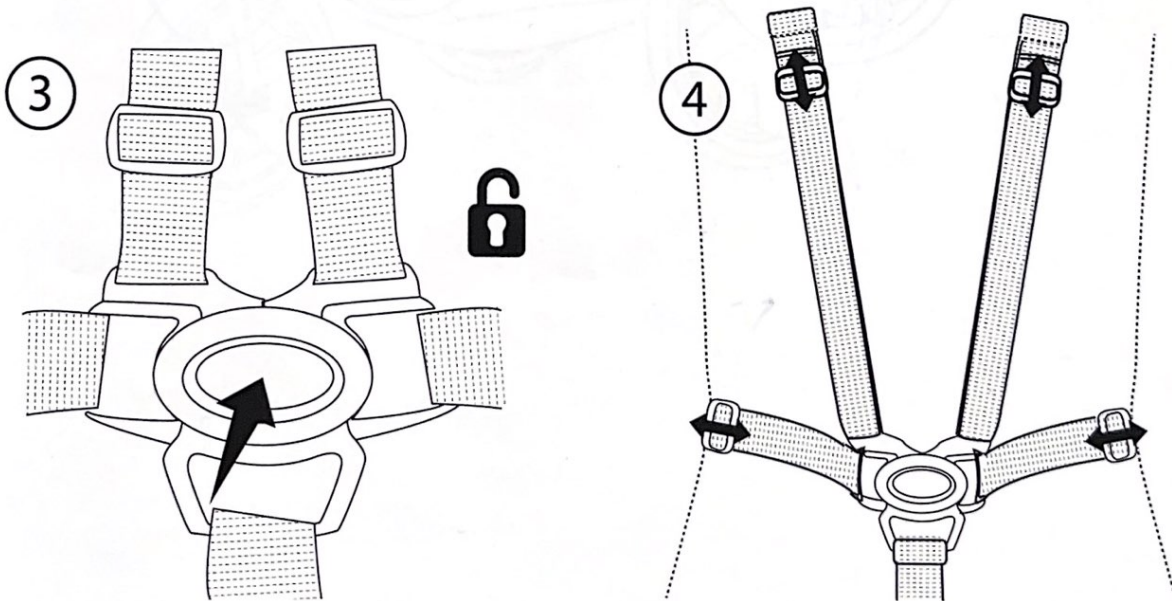


# Harness

1. Slide the shoulder strap buckle onto the housing of the waist strap buckle. Repeat for the other side.
2. Insert the completed buckle into the buckle housing until it engages securely in place. Listen for the 'click'. Repeat for the opposite side.



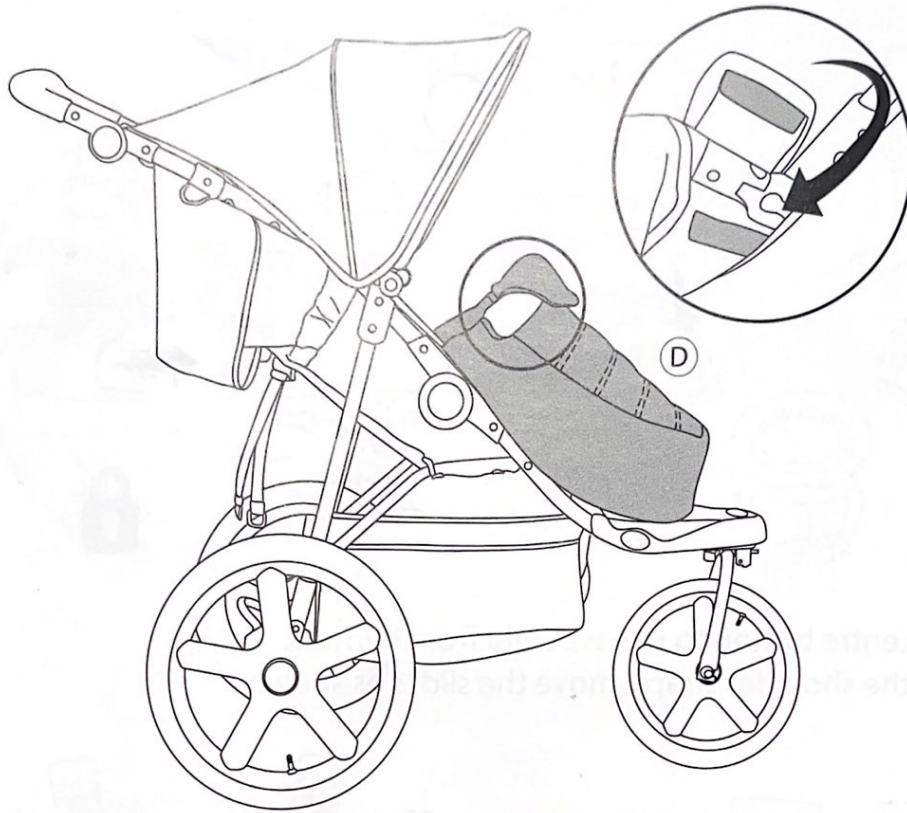
3. Press the centre button to release child from harness.
4. To adjust the shoulder straps, move the slides as shown.





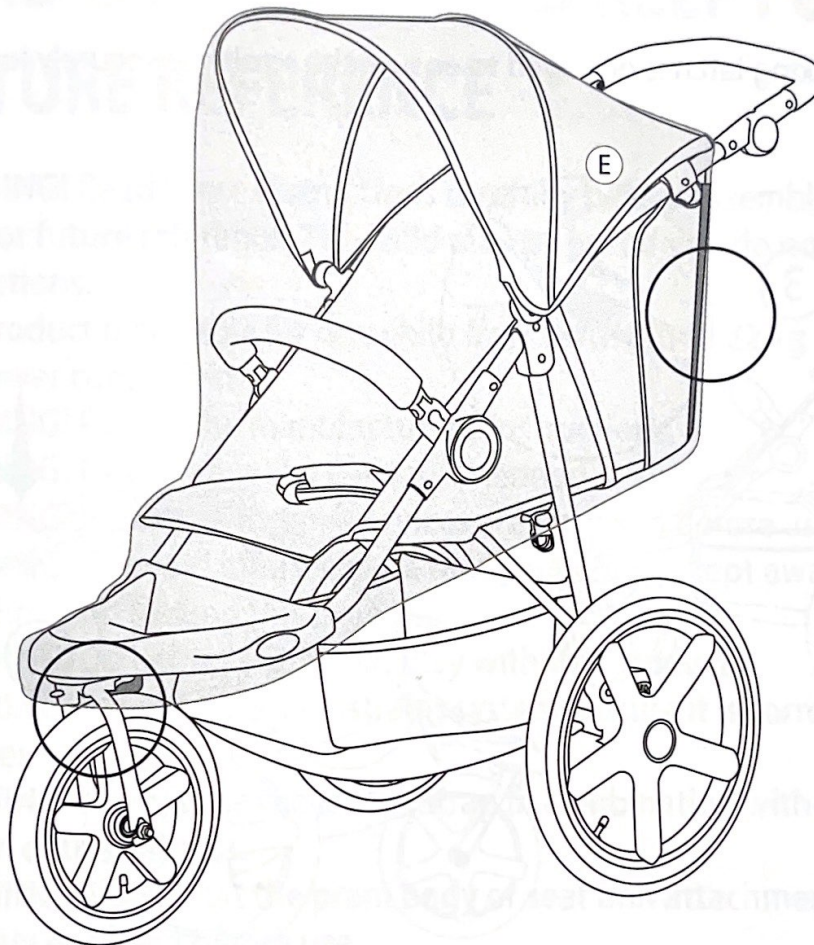
# Apron

Place the apron (D) onto the stroller and fasten the velcro around the bumper bar.



# Raincover

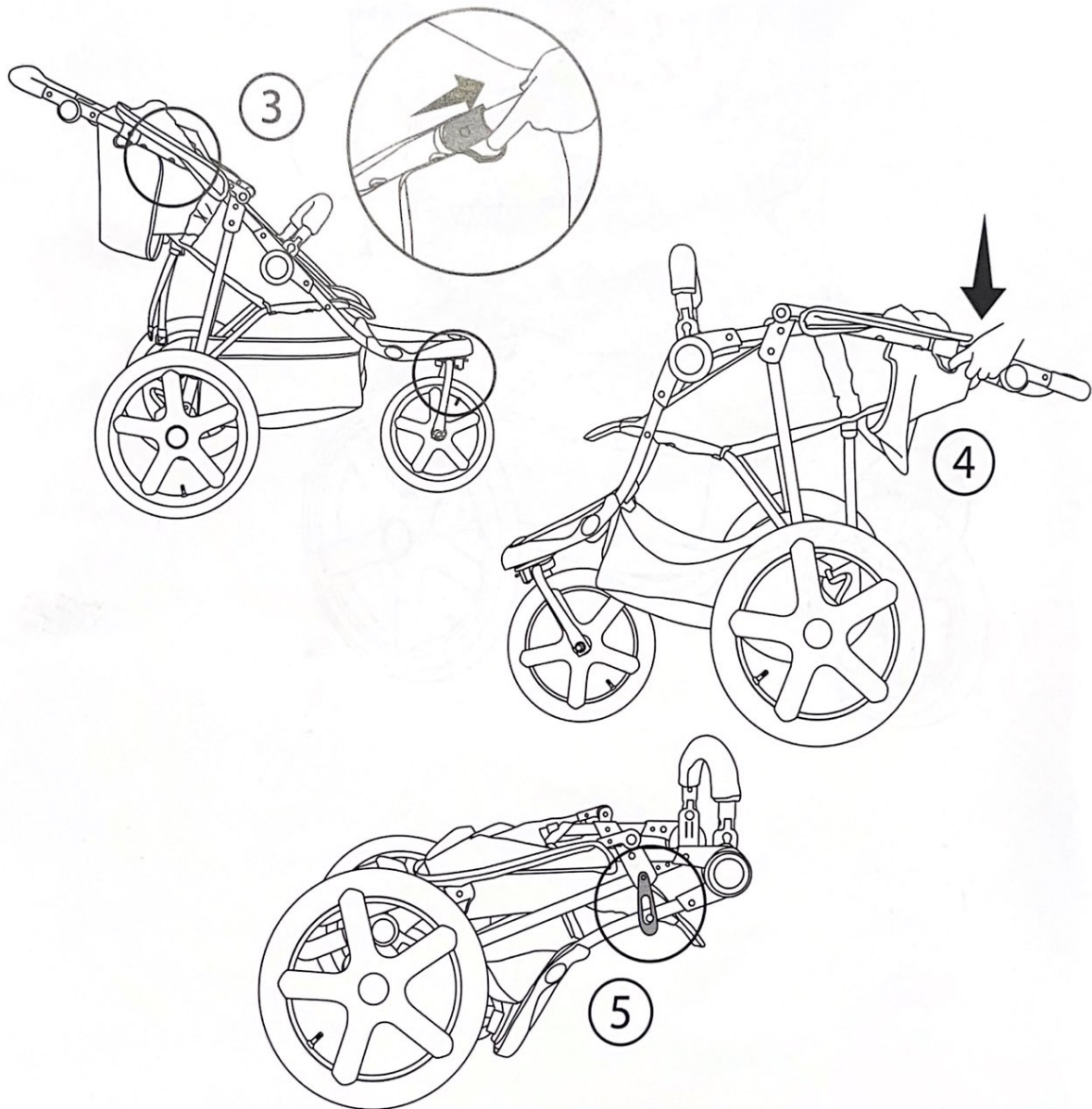
1. Place the raincover (E) over the front hood and down over the stroller.
2. Fasten the velcro strips at the back of the canopy.
3. Wrap the velcro strap behind the front wheel.



WARNING! This product is not suitable for running or skating.  
WARNING! Do not let children play unattended near the product.  
WARNING! Do not use the product on uneven, slippery, torn or melting surfaces.  
WARNING! Do not place the product near open flames or other sources of strong heat.  
- Adult assembly required  
- Ensure that the parking brake is engaged when the stroller is left unattended and supervision of children.

# Folding

1. Apply rear wheel brakes and unlock the front swivel wheel.
2. Remove all items in the shopping basket and fold the canopy.
3. Adjust the backrest to full layback position (see page 10).
4. Pull the folding locks up and simultaneously push down on the stroller to fold.
5. Ensure the locking latch is engaged to ensure the stroller is securely locked.





## **IMPORTANT:**

# **READ CAREFULLY AND KEEP FOR FUTURE REFERENCE**

**WARNING!** Read these instructions carefully before assembly and use and keep for future reference. The child may be hurt if you do not follow these instructions.

This product is suitable for one child from birth (up to 22 kg or 4 years whichever comes first).

**WARNING!** Follow the manufacturer's instructions.

**WARNING!** Never leave the child unattended.

**WARNING!** Ensure all locking devices are engaged before use.

**WARNING!** To avoid injury ensure that your child is kept away when unfolding and folding this product.

**WARNING!** Do not let your child play with this product.

**WARNING!** Always use the restraint system. Ensure it is correctly fitted at all times.

**WARNING!** Always use the crotch strap in combination with the waist belt section of the harness.

**WARNING!** Check that the pram body or seat unit attachment devices are correctly engaged before use.

**WARNING!** This product is not suitable for running or skating.

**WARNING!** Do not let other children play unattended near the product.

**WARNING!** Do not use this product if any part is broken, torn or missing.

**WARNING!** Do not place the product near an open fire or other source of strong heat.

- Adult assembly is required.
- Ensure that the parking brake is engaged during the loading and unloading of children.

# Safety

---

- The basket can carry a maximum load of 5kg.
- Use the most reclined position for new born babies.
- Any load attached to the handle and/or on the back of the backrest and/or on the sides will affect the stability of the product.
- Do not overload the stroller with additional children, goods or accessories.
- Always apply the parking brake when the stroller is stationary.
- Take care when going up or down kerbs.
- Any additional or replacement parts should only be obtained from the manufacturer or distributor.
- Never substitute parts.
- Keep the plastic packaging away from children to avoid danger of suffocation.
- Take extra care in windy conditions.
- Remove your child and fold the stroller when going up or down stairs or escalators.
- Do not use this stroller near an open fire or exposed flame.
- To prevent damage, always remove a raincover before folding the stroller.
- Do not place anything on top of the raincover.
- Never leave a raincover, hood or apron on the product indoors, in a hot atmosphere or near a heat source, as the child may overheat.

**This product conforms to EN 1888-2:2018**



# Maintenance

---

- The product requires regular maintenance to ensure correct and safe performance.
- Regularly inspect the wheels, locks, brakes, harness, catches, seat adjusters, joints and fixings to ensure they are clean, operating correctly and in full working order.
- Replace tyres if they are excessively worn.
- Do not use this product if any part is broken, torn or missing and use only spares provided by the manufacturer.
- If parts become stiff or difficult to operate, ensure dirt is not the cause, then try a light application of a silicon lubricant, ensuring it penetrates between the components. Regular lubrication of moving parts will extend the life of your product and make opening and folding easier.
- Your pram should be serviced and reconditioned before using for a second baby, or within 18 months, whichever is sooner.
- After exposure to damp conditions, dry off with a soft cloth and leave fully open in a warm environment. Storing damp will encourage mildew to form. Store in a dry place.
- Do not leave in sunlight for prolonged periods as some fabrics may fade.



# Cleaning

---

- Spot or sponge clean fabrics with mild detergent. Use mild soap or upholstery shampoo. Wash separately. NEVER use bleach. Dry in shade thoroughly before reuse and avoid direct heat and sunlight. Do not iron. Do not dry clean.
- Wipe clean plastics and metals with damp cloth.
- Never clean any part of the product with abrasive, ammonia based, bleach based or spirit type cleaners.
- Ensure the product is fully dry before use or storage.
- Always ensure the product is stored in a dry place to prevent mold or mildew developing.



Supplied by Baby Factory NZ. Ltd.  
58 Stonedon Drive  
East Tamaki  
Auckland, New Zealand  
[www.babyfactory.co.nz](http://www.babyfactory.co.nz)  
[customerservice@babyfactory.co.nz](mailto:customerservice@babyfactory.co.nz)