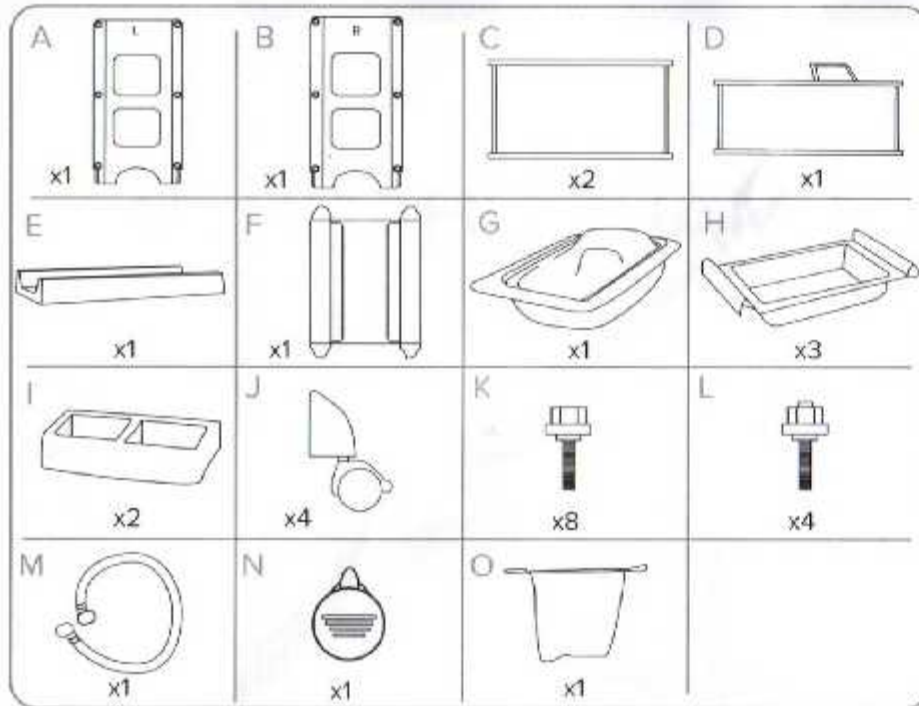
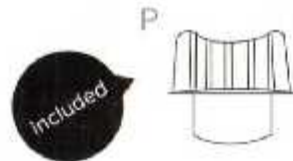


parts



Tools required

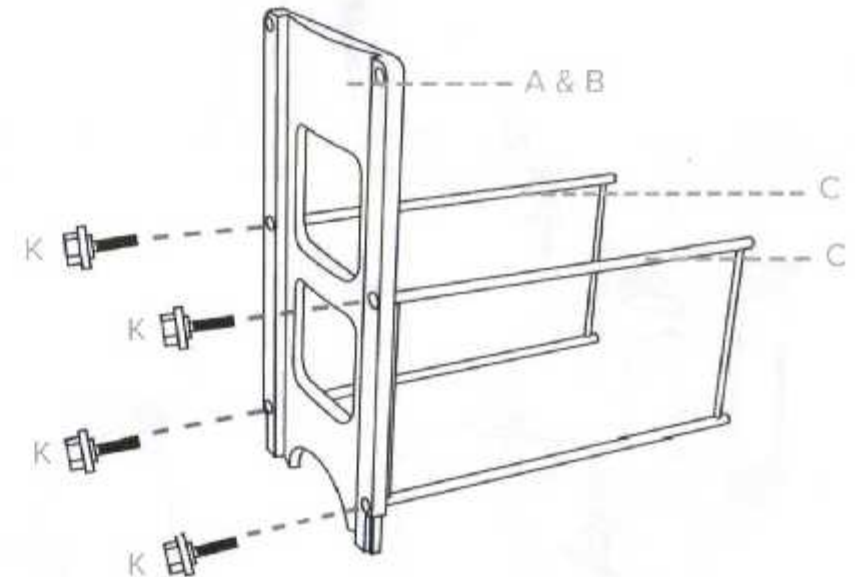


assembly

1. Unpack the changing unit carefully and unwrap each part taking care not to lose small items. Check the contents against the list of parts.

Attach the two side frames (C) to the left side panel (A) by inserting bolts (K) through the holes in the side panel and tightening into the threaded ends of the side frames using the supplied tool (P).

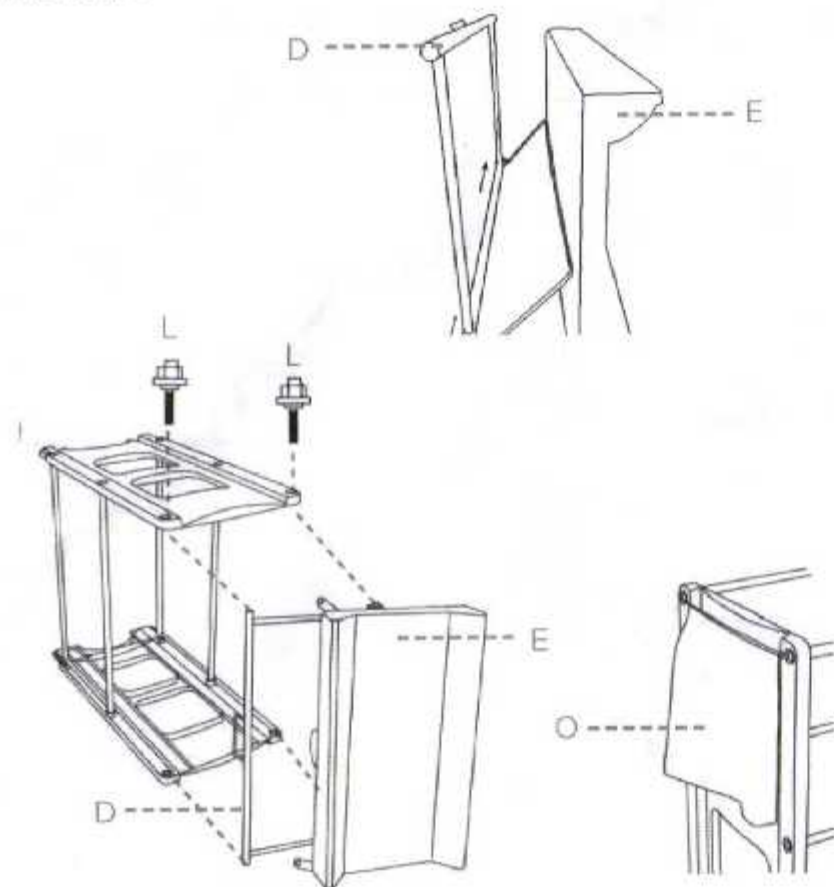
Attach the right hand side panel (B) in the same fashion.



assembly

2. Turn the changing unit on its side. Attach frame (D) and padded top (E) as shown below. Secure with 2 press studs (L) into the tubing of the frame of the padded top and before fully inserting the bolts slip the elastic loops of the mesh bag (O) over the bolt heads then tighten.

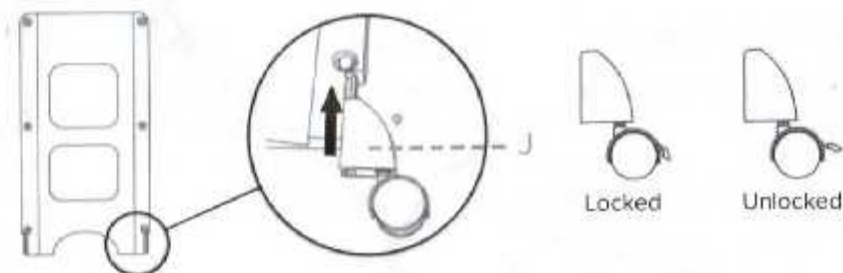
Carefully turn the changing unit over and secure the opposite side with 2 more bolts.



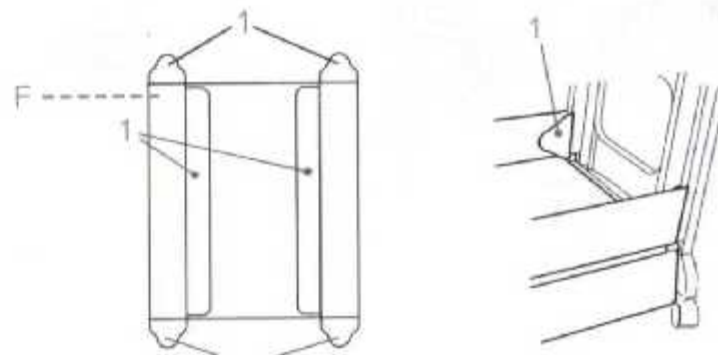
assembly

3. Attach the wheels (J) to all four corners of the changing unit, pushing the wheels firmly into place along the slots provided.

NOTE. Please ensure the wheels are locked when using the changing unit.



4. Attach the base shelf (F) with press studs, by placing the shelf in position then securing with flaps (1) wrapped around the uprights of the two frames (C).



assembly

5. Attach the utility holders (I) by hooking them over the front of the support frame for the padded top (E).

Attach the pan trays (H) by hooking each tray over the tops of the two side frames (C) as shown below.

Finally the bath (G) can be placed into the top of the changing unit.



in use

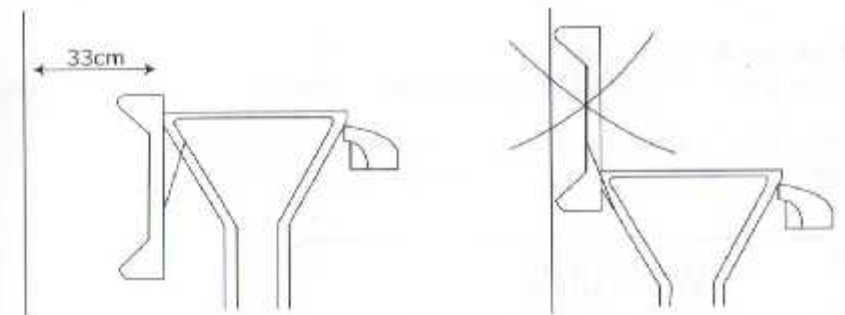
**WARNING: DO NOT LEAVE THE CHILD UNATTENDED.
ALWAYS KEEP THE CHILD WITHIN REACH.**

Babies can drown in a very short period of time and in very shallow water (less than 2cm).

Recommended maximum bath water temperature 37°C.

Recommended maximum bath duration 10 minutes.

The changing unit bath tub comes complete with a handy drainage hose (M) which can be attached to the outlet on the underside of the bath. Before placing water in the bath ensure the plug (N) is firmly located in the plug hole on the inside of the bath.



Safety

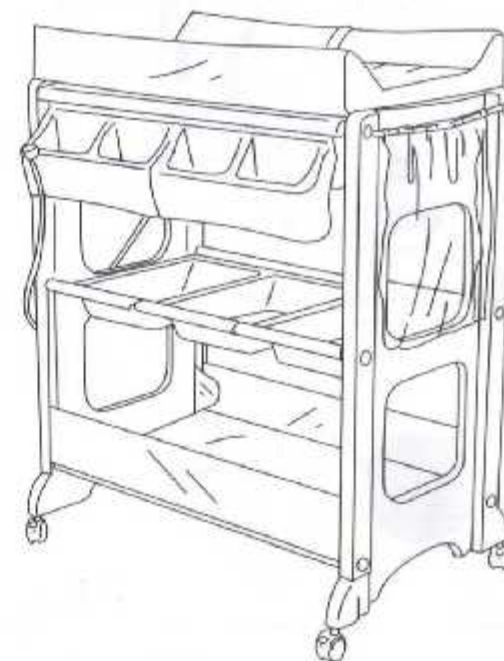
- **WARNING "Do not leave the child unattended"**
- **WARNING "The drainage hose should be permanently attached to the bath tub drainage outlet or stored out of the reach of children.**
- Keep this product away from fire and direct heat sources.
- Regularly check the screw fittings for tightness and security.
- Always apply studs while changing mat is hanging.
- Do not use the changing station if any parts seem to be broken or missing.
- Screws should not be loose because a child can squeeze parts of the body, or clothing [e.g. strings, necklaces, ribbons for babies, dummies etc.] Could get caught. There would be a danger of strangulation.
- Do not move the the changing station when using as a baby changer.
- Do not use the changing station for a manner it was not designed for.
- Assemble the dresser once. It is not designed to be taken apart and re-assembled.
- When lockable castor/ wheels are fitted, they should be locked when the changing unit is in use.
- The weight of the child should not exceed 14kg.

Maintenance & Cleaning

- The changing station may be lightly dusted and can be cleaned with a household spray polish.
- The surface of the shelves should be wiped over using a damp cloth.
- Never clean with abrasive, ammonia based, bleach or spirit type cleaners.

WARNING

Children have **DROWNED** while using bath aids. This is **NOT** a safety device. **ALWAYS** keep baby within arm's reach. **NEVER** leave baby in care of children.



Important: Keep for future reference. Read carefully