



# Mitro Stroller

Instruction manual

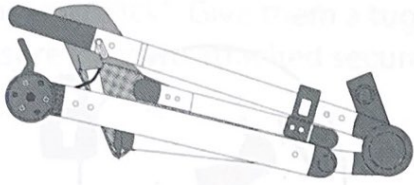


**IMPORTANT:  
RETAIN FOR FUTURE REFERENCE  
READ CAREFULLY**

# Parts List

Assembly

A



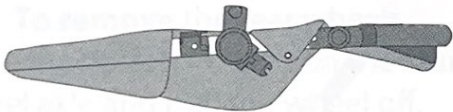
chassis  
**x1**

B



rear wheels  
**x2**

C



seat unit  
**x1**

D



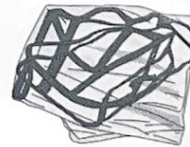
bumper bar  
**x1**

E



canopy  
**x1**

F

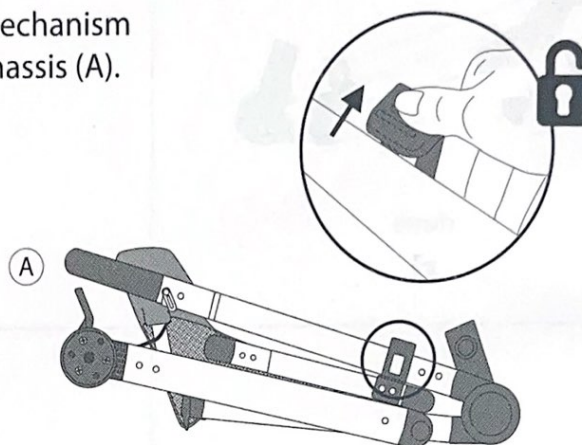


raincover  
**x1**

# Assembly

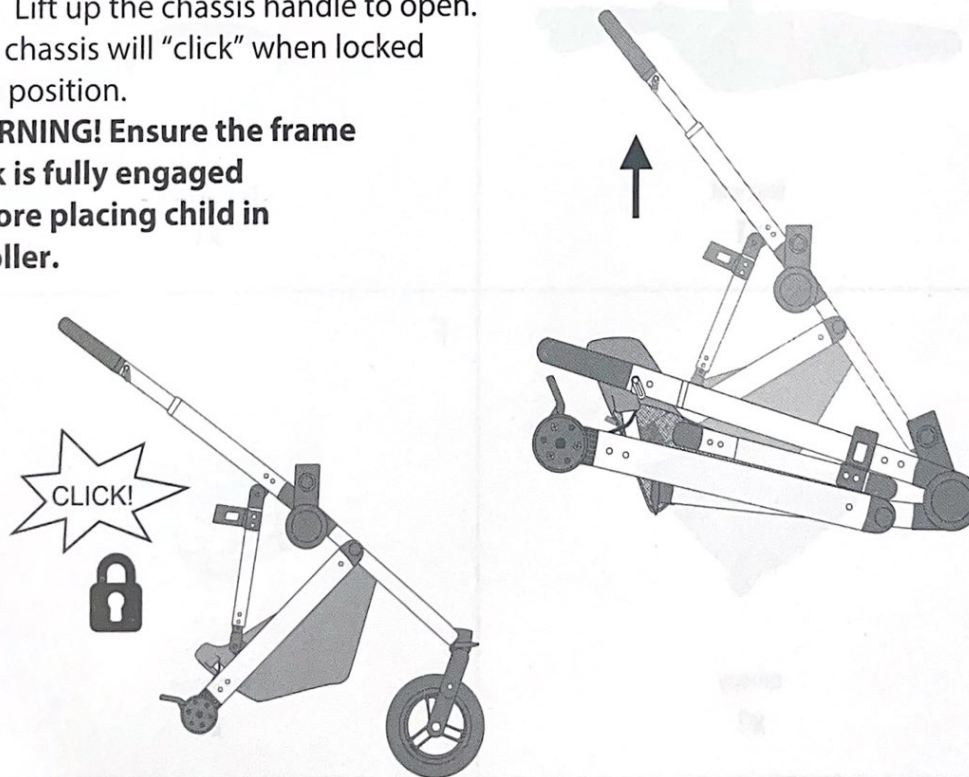
Unpack all contents and check that all parts are present before starting assembly. Please refer to the parts list.

**1a.** Pull back the locking mechanism located on the side of the chassis (A).



**1b.** Lift up the chassis handle to open. The chassis will “click” when locked into position.

**WARNING! Ensure the frame lock is fully engaged before placing child in stroller.**

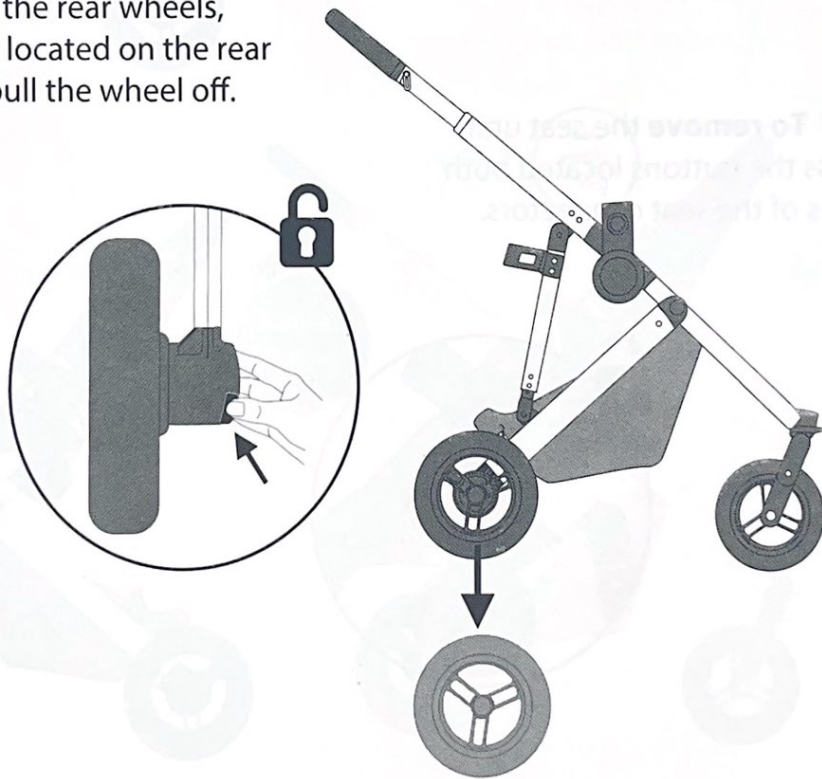


# Assembly

**2a.** Push each rear wheel (B) into the sides of the rear wheel axle until you hear a “click”. Give them a tug to ensure they are attached securely.

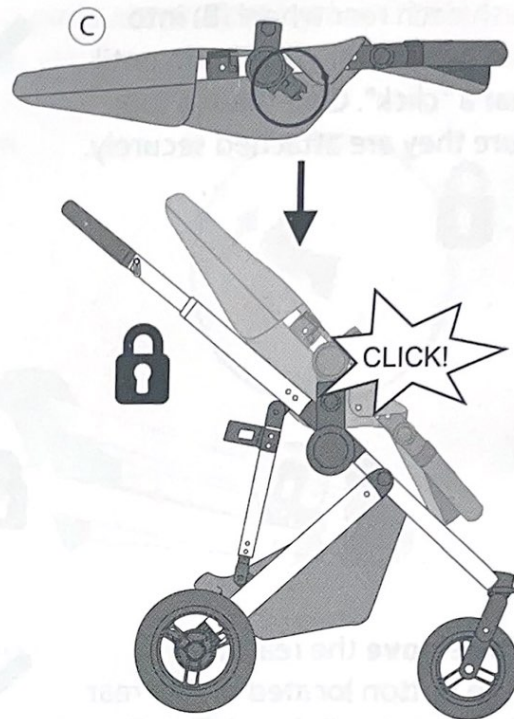


**2b.** To remove the rear wheels, press the button located on the rear wheel axle and pull the wheel off.

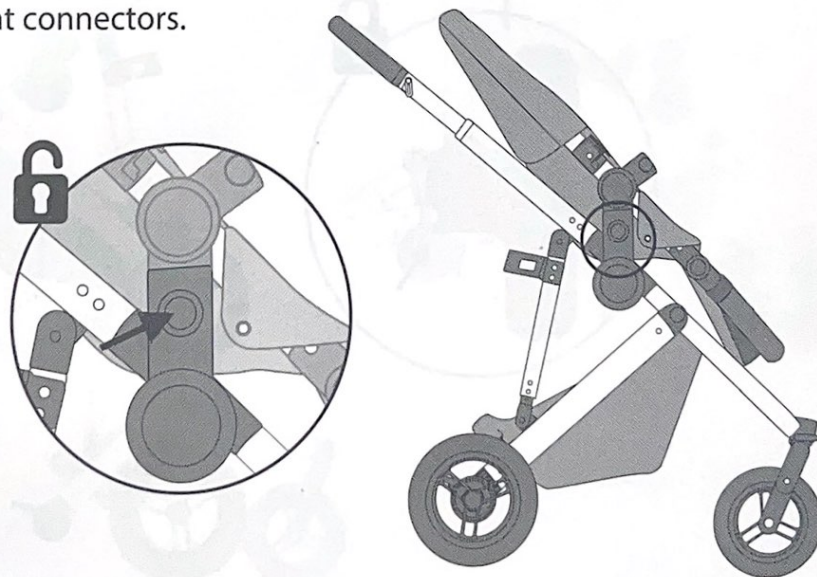


# Assembly

**3a.** Attach the seat unit (C) to the chassis. Line up the seat connectors with the chassis housing and press downwards. Listen for a “click” to signal correct assembly.



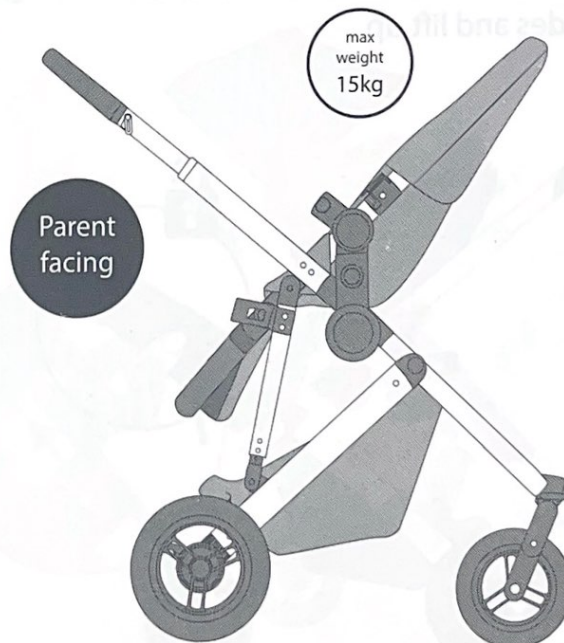
**3b. To remove** the seat unit, press the buttons located both sides of the seat connectors.



# Assembly

**3c.** The seat unit is reversible  
It can be forward or rearward  
facing.

**WARNING! The seat is suitable  
from birth up to 22kg in  
forward-facing mode and  
from birth up to 15kg in  
parent-facing mode.**



# Assembly

**4a.** Insert the bumper bar (D) into the bumper bar connectors located both sides of the seat unit. Ensure the release buttons are on the outside and you hear a “click”. Give the bumper bar a tug to ensure it’s securely in place.



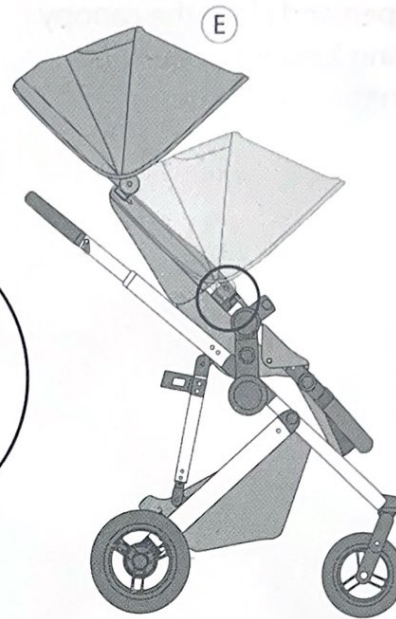
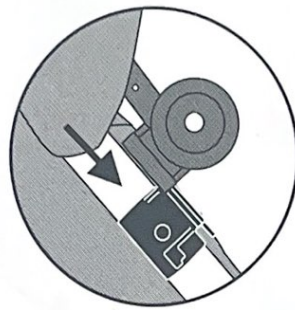
**4b.** To remove the bumper bar, press the release buttons on either or both sides and lift up.



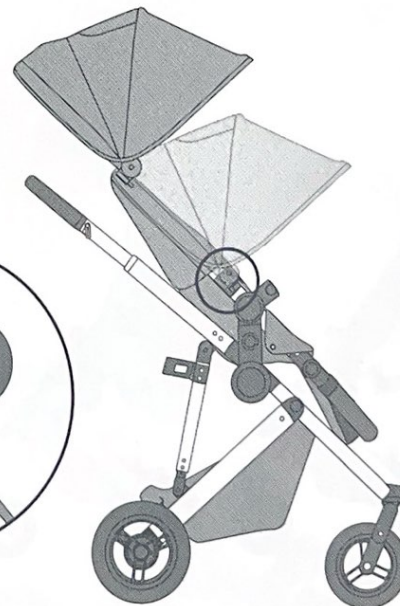
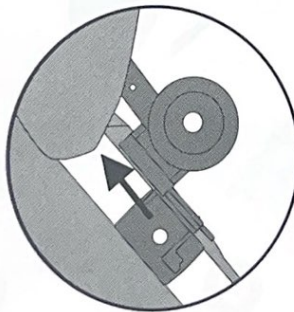
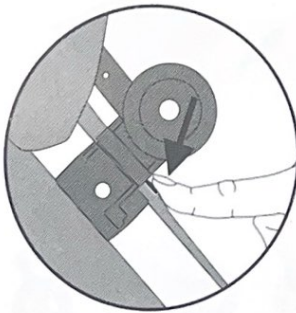
# Assembly

---

**5a.** Attach the canopy (E) to the seat unit. Slide the canopy connectors onto the seat unit at their respective sides.



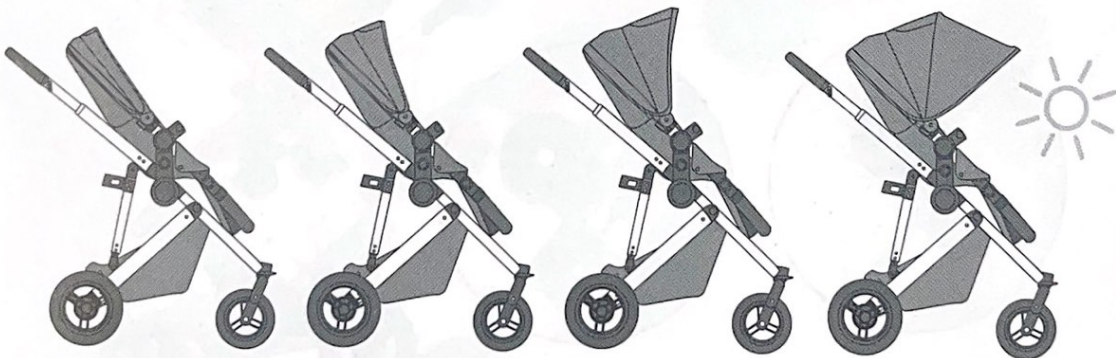
**5b.** To remove the canopy, press down on the release buttons located both sides of the canopy connectors and slide the canopy off the seat unit.





# Assembly

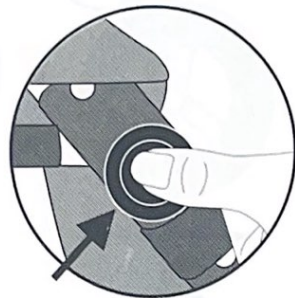
**5c.** Open and close the canopy by pulling forward or pushing back on the canopy rim.



# Footrest and Backrest Adjustment

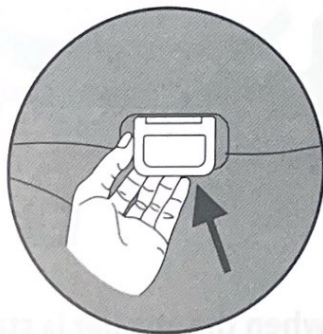
---

**6. Footrest:** Press and hold the buttons both sides to adjust the footrest up and down.



**7. Backrest:** Pull up the recline lever on the rear of the seat unit and adjust the seat into the desired position.

**WARNING! Always ensure that the seat is securely fixed in position before use.**



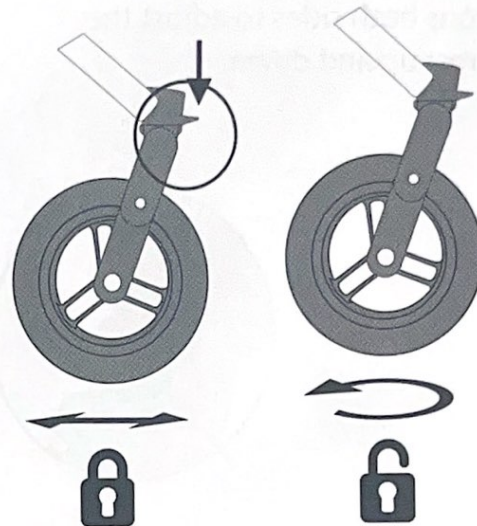
# Swivel Wheels and Brakes

---

7. When travelling on straight surfaces or uneven ground the front wheels may spin.

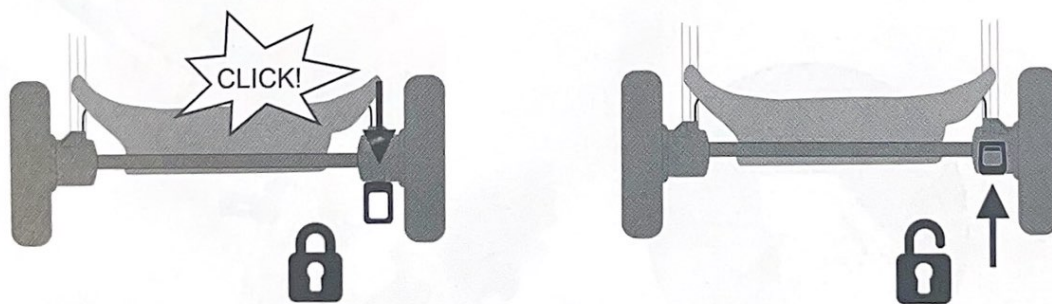
7a. **To lock** the front wheels, push down on the lever located at the front of the wheels.

7b. **To unlock** the front wheels so they swivel 360°, push lever upwards.



8a. **To lock/engage** brakes, apply downward pressure to the brake lever located on the rear axle. Check that the stroller does not move once the brakes are properly applied.

8b. **To unlock/release**, gently lift up on the brake lever.

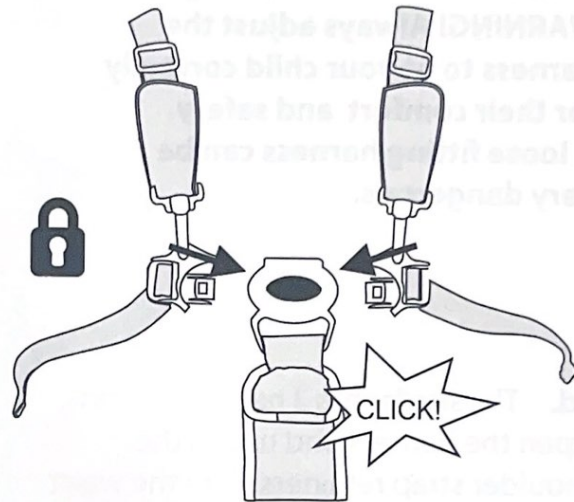


**WARNING!** Always apply the parking brake when the stroller is stationary.  
**WARNING!** Ensure the parking brake is engaged during the loading and unloading of children.

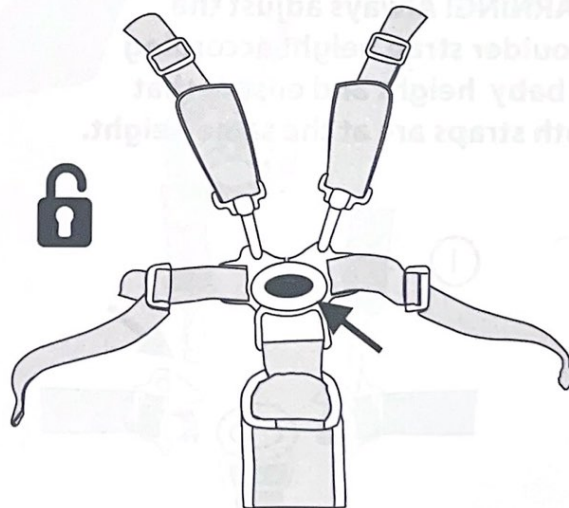
---

# Harness Adjustment

**9a.** Insert the harness retainers into the crotch buckle housing until it engages securely in place. Listen for the "click".



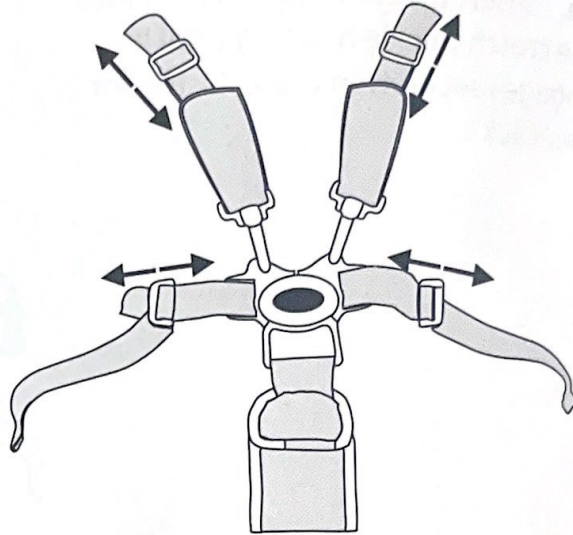
**9b.** Press the centre button to release child from harness.



# Harness Adjustment

9c. Move the sliders to adjust the shoulder and waist strap length.

**WARNING! Always adjust the harness to fit your child correctly for their comfort and safety. A loose fitting harness can be very dangerous.**

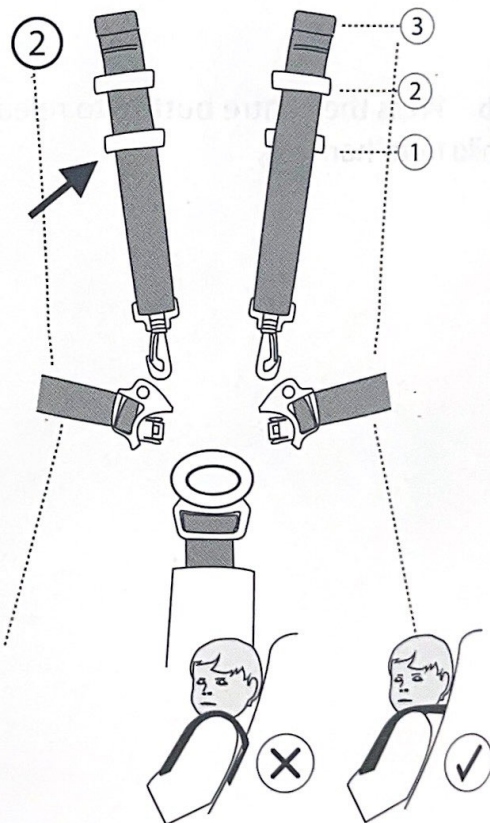
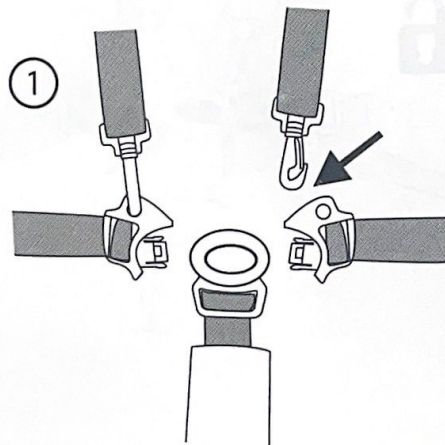


9d. The stroller has 3 height positions.

Open the harness and unclip the shoulder strap retainers from the waist strap buckle.

Remove the shoulder pads to adjust the shoulder height. Remove harness strap from webbing holders. Redo harness.

**WARNING! Always adjust the shoulder strap height according to baby height and ensure that both straps are at the same height.**



# Raincover

---

10. Place the raincover (F) over the front hood. Pull the raincover all the way down over the footrest for full protection from head to toe.



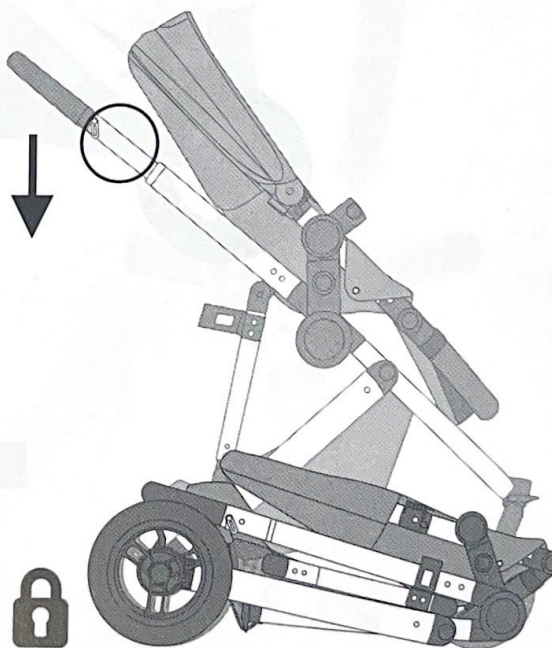
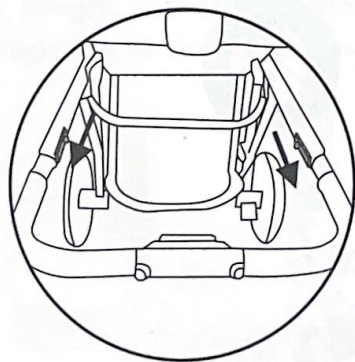
# Folding

11a. Fold the canopy.

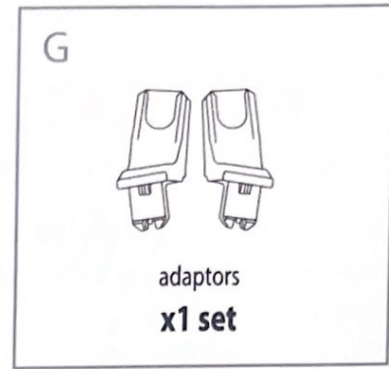


11b. Pull both release triggers towards you. At the same time, push the handle downwards to fold.

**WARNING! To avoid injury ensure that your child is kept away when unfolding and folding this product.**

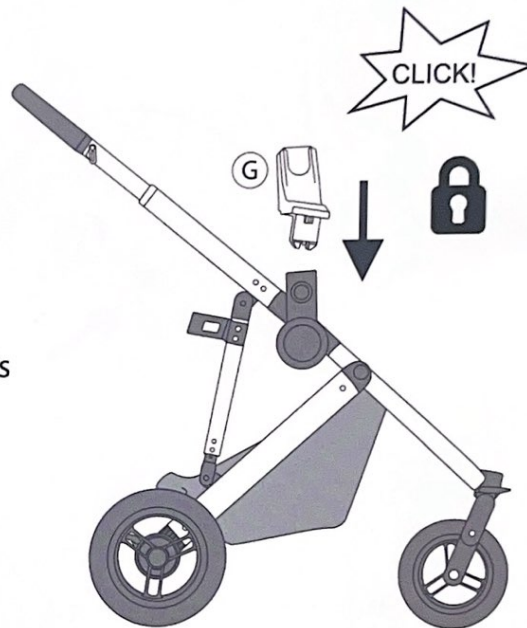


# Travel System

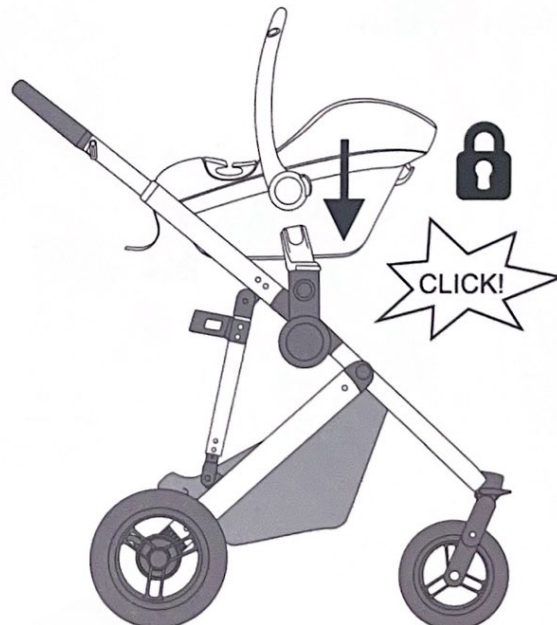


A set of adaptors (G) are included to complete the travel system. These adaptors are compatible with Maxi-Cosi and Joie infant carriers.

1. Remove the seat unit from the chassis to fit the adaptors.
2. Line up the adaptors with the chassis housing and press downwards. Listen for a "click" to signal correct assembly.



3. Place the infant carrier onto the adaptors. Push down to "click" into place. Lift by handle to ensure infant carrier is secure. Alternatively, attach the adaptors to the infant carrier first and then attach the infant carrier to the chassis.  
**WARNING! Never attach the capsule forward facing.**



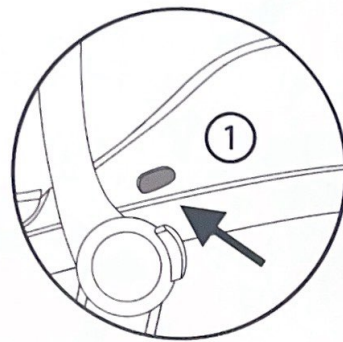


# Travel System

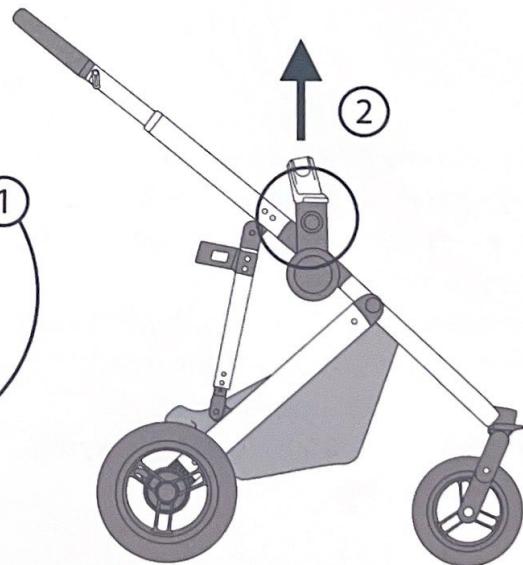
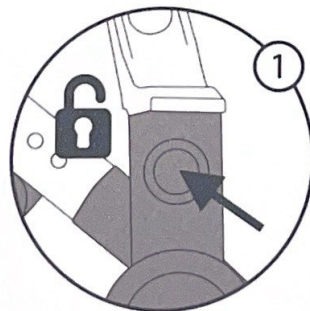
---

**4. To remove,** press the button located on the side of the infant carrier and pull upwards to remove.

Note. the button and it's location will depend on which model infant carrier you are using.



**5. Press button on both sides of the chassis** to remove the adaptors from the chassis.



# Safety

---

## **IMPORTANT:** **RETAIN FOR FUTURE REFERENCE** **READ CAREFULLY**

**WARNING! TO AVOID INJURY OR DEATH READ THESE INSTRUCTIONS CAREFULLY BEFORE USE AND KEEP FOR FUTURE REFERENCE.**

**THE CHILD MAY BE HURT IF YOU DO NOT FOLLOW THESE INSTRUCTIONS.**

The maximum weight of the child for which this stroller is intended is 22kg.

**WARNING! Follow the manufacturers instructions.**

**WARNING! Always apply the brakes whenever the stroller is stationary.**

**WARNING! Do not leave the child unattended.**

**WARNING! Secure the child in the harness at all times.**

**WARNING! Do not carry extra children or bags on this stroller.**

**WARNING! Make sure children are clear of any moving parts if you adjust the stroller. Otherwise they may be injured.**

**WARNING! Use the harness at all times.**

**WARNING! This stroller is intended for children from birth to 22kgs (approx 4 years). It is not suitable for children under 6 months old when in upright position.**

**WARNING! The seat is suitable from birth up to 22kg in forward-facing mode and from birth up to 15kg in parent-facing mode.**

**Remember, your child safety is your responsibility:**

- The correct use and maintenance of this stroller are essential.
- Be sure that all clamps and buckles are securely fixed and in place before use.
- When in the stroller, your child must always wear the safety harness, correctly fitted and adjusted, at all times.
- Ensure the parking brake is engaged during the loading and unloading of children.

# Safety

---

- Do not allow your child to climb into the stroller.
- Never leave a raincover, hood or apron on indoors, in a hot atmosphere or near a heat source as your child may overheat.
- Be careful when going up or down kerbs.
- Remove your child and fold the stroller when going up or down escalators.
- If your stroller is used by someone unfamiliar with it e.g. Grandparents, always show them how it works.
- Do not use this stroller near an open fire or exposed flame.
- Take care in windy conditions.
- To prevent damage, always remove the raincover before folding the stroller.
- Do not place anything on top of the raincover.
- To prevent your child overheating, always fold or remove a raincover when indoors or in warm environments.

**This product conforms to EN 1888-2:2018+A1:2022**

# Care

---

## Cleaning

- Spot or sponge clean fabrics with mild detergent. Use mild soap or upholstery shampoo. NEVER use bleach. Dry in shade thoroughly before reuse and avoid direct heat and sunlight. Do not iron. Do not dry clean. Do not bleach.
- Wipe clean plastics and metals with a damp cloth.
- Never clean any part of the product with abrasive, ammonia based, bleach based or spirit type cleaners.
- Ensure the product is fully dry before use or storage.
- Always ensure the product is stored in a dry place to prevent mold or mildew developing.

## Maintenance

- The product requires regular maintenance to ensure correct and safe performance.
- Regularly inspect the wheels, locks, brakes, harness, catches, seat adjusters, joints and fixings to ensure they are clean, operating correctly and in full working order.
- Regularly check and lubricate the wheels.
- Do not use this product if any part is broken, torn or missing and use only spares provided by the manufacturer.
- Always check your stroller for loose screws, ensure they are tightened properly.
- If parts become stiff or difficult to operate, ensure dirt is not the cause, then try a light application of a silicon lubricant, ensuring it penetrates between the components. Regular lubrication of moving parts will extend the life of your product and make opening and folding easier.
- After exposure to damp conditions, dry off with a soft cloth and leave fully open in a warm environment. Storing damp will encourage mildew to form.
- Store in a dry place.
- Do not leave in sunlight for prolonged periods as some fabrics may fade.

Cleaning

- Do not use harsh cleaning agents with mild detergent. Use mild soap or upholstery cleaner. NEVER use bleach. Try to clean thoroughly before using and avoid direct heat and sunlight. Do not rub. Do not dry clean. Do not steam clean.
  - Wipe clean with a damp cloth and water with a damp cloth.
  - Wipe clean - any part of the product with abrasive ammonia based bleach based or spirit type cleaners.
  - Ensure the product is fully dry before use.
  - Always ensure the product is stored in a dry place to prevent mild or mould.
- Do not leave in sunlight for prolonged periods as some fabrics may fade.

After exposure to damp conditions, dry off with a soft cloth and leave fully open in a warm environment. Storing damp will encourage mildew to form.

your product and make opening and folding easier.

the components. Regular lubrication of moving parts will extend the life of the product. Regular lubrication of moving parts will extend the life of the components. Regular lubrication of moving parts will extend the life of the product. Regular lubrication of moving parts will extend the life of the product.

Apply a light application of a silicon lubricant, ensuring it penetrates between the parts become stiff or difficult to operate, ensure dirt is not the cause, then Always check your stroller for loose screws, ensure they are tightened properly.

spare provided by the manufacturer.
  - Do not use this product if any part is broken, torn or missing and use only regular check and lubricate the wheels.
  - Regularly check and lubricate the wheels.
  - Regularly inspect the wheels, locks, brakes, harness, catches, seat adjusters, joints and hinges to ensure they are clean, operating correctly and in full working order.
  - Regularly inspect the wheels, locks, brakes, harness, catches, seat adjusters, joints and hinges to ensure they are clean, operating correctly and in full working order.
  - Regularly inspect the wheels, locks, brakes, harness, catches, seat adjusters, joints and hinges to ensure they are clean, operating correctly and in full working order.

Due to variation in style and design the illustrations used in this instruction manual are generic. Variation in design may occur in the images shown.



Supplied by Baby Factory NZ. Ltd.  
58 Stonedon Drive  
East Tamaki  
Auckland  
New Zealand  
www.babyfactory.co.nz