



Drift Travel System

Instruction Manual



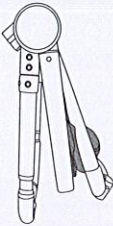


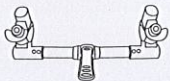


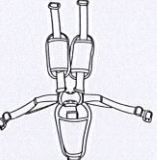

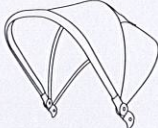
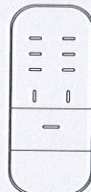


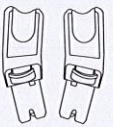
Due to variation in style and design the illustrations used in this instruction manual are generic.
Variation in design may occur in the images shown.



Supplied by Baby Factory NZ. Ltd.
58 Stonedon Drive
East Tamaki
Auckland
New Zealand
www.babyfactory.co.nz

**IMPORTANT:
RETAIN FOR FUTURE REFERENCE
READ CAREFULLY**

Parts List

<p>A</p>  <p>chassis x1</p>	<p>B</p>  <p>front wheels x2</p>	<p>C</p>  <p>rear wheels x2</p>	<p>D</p>  <p>rear wheel axle x1</p>
<p>E</p>  <p>bumper bar x1</p>	<p>F</p>  <p>seat unit x1</p>	<p>G</p>  <p>harness x1</p>	<p>H</p>  <p>apron x1</p>
<p>I</p>  <p>canopy x1</p>	<p>J</p>  <p>seat liner x1</p>	<p>K</p>  <p>raincover x1</p>	<p>L</p>  <p>car seat x1</p>
<p>M</p>  <p>car seat adaptors (set) x1</p>			

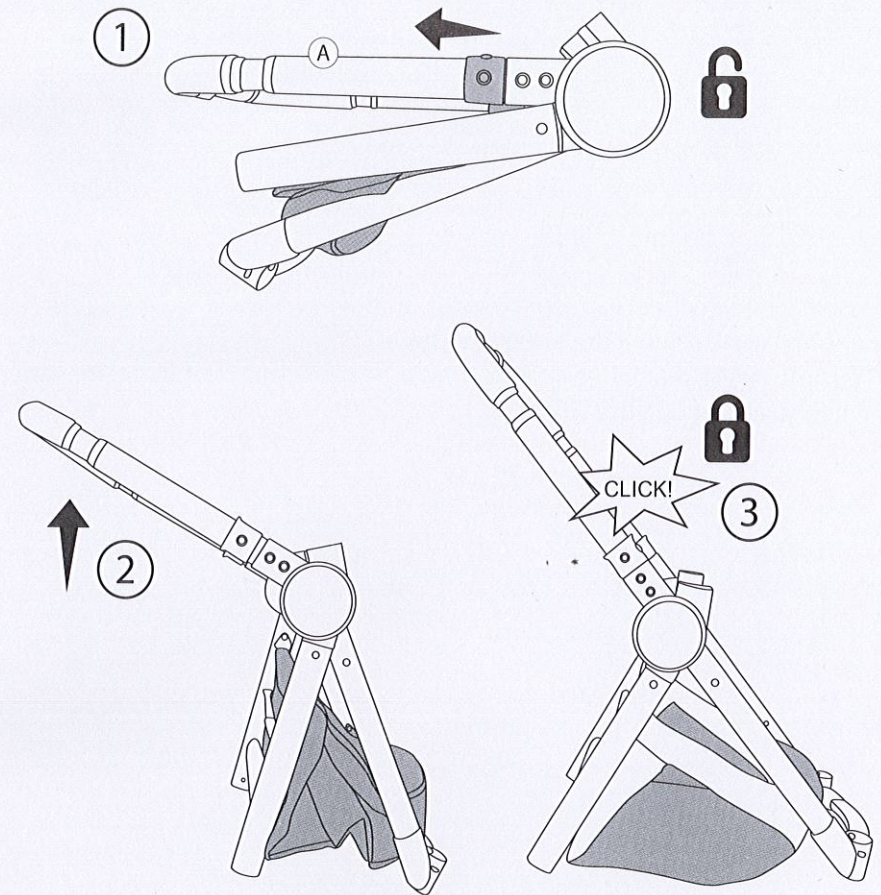
Chassis Assembly

Unpack all contents and check that all parts are present before starting assembly. Please refer to the parts list.

1a. Release the chassis (A) from the locked folded position. Press the grey safety release button on the right frame release lever and pull both frame release levers back.

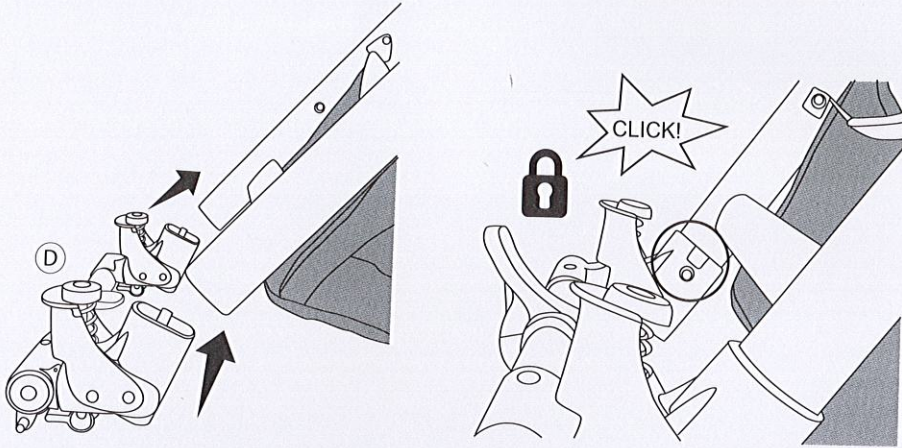
1b. Lift the handle to open the chassis.

1c. When the chassis is completely open, you will hear a "click" indicating it is locked into place.



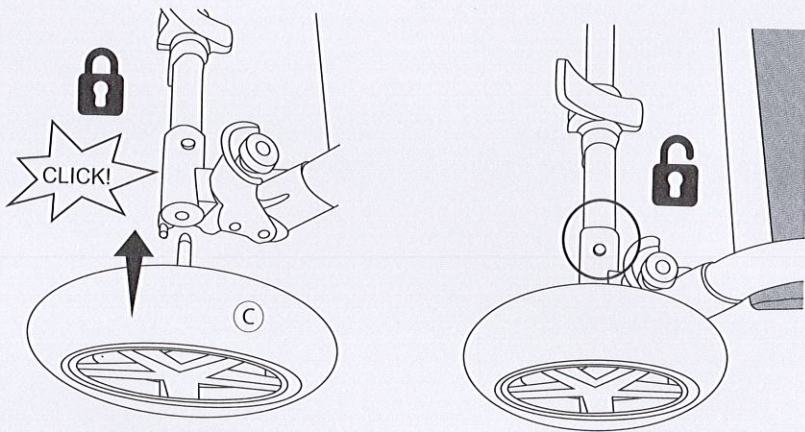
Chassis Assembly

2. Attach the rear wheel axle (D) to the rear of the chassis. Push down until you see the silver locking pins lock into place and you hear a "click".



3a. Push each rear wheel (C) into the sides of the rear wheel axle until you hear a "click". Give them a tug to ensure they are attached securely.

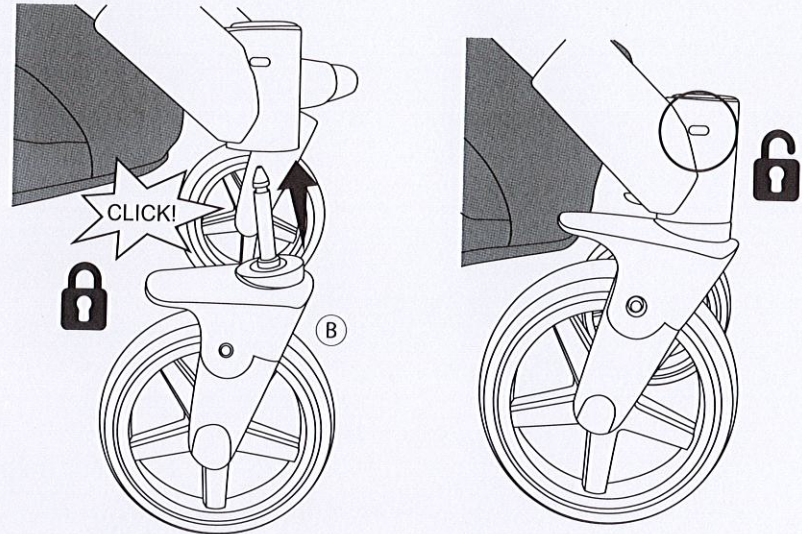
3b. To remove the rear wheels, simply press the grey button located on the rear wheel axle and pull the wheel off.



Chassis Assembly

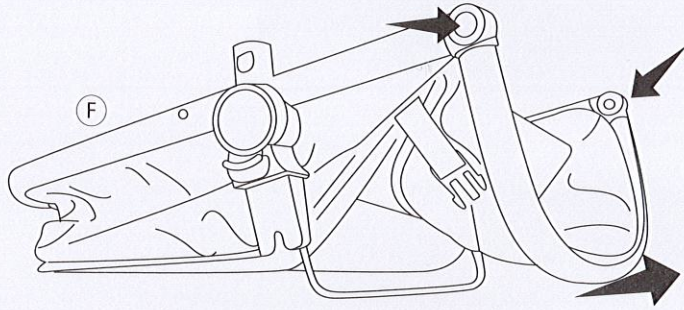
4a. Insert each of the front wheel (B) pins into the center of the socket until you hear a "click". Give each wheel a firm tug to ensure they're securely attached.

4b. To remove the front wheels, simply press the grey button on the side of the wheel socket and pull.

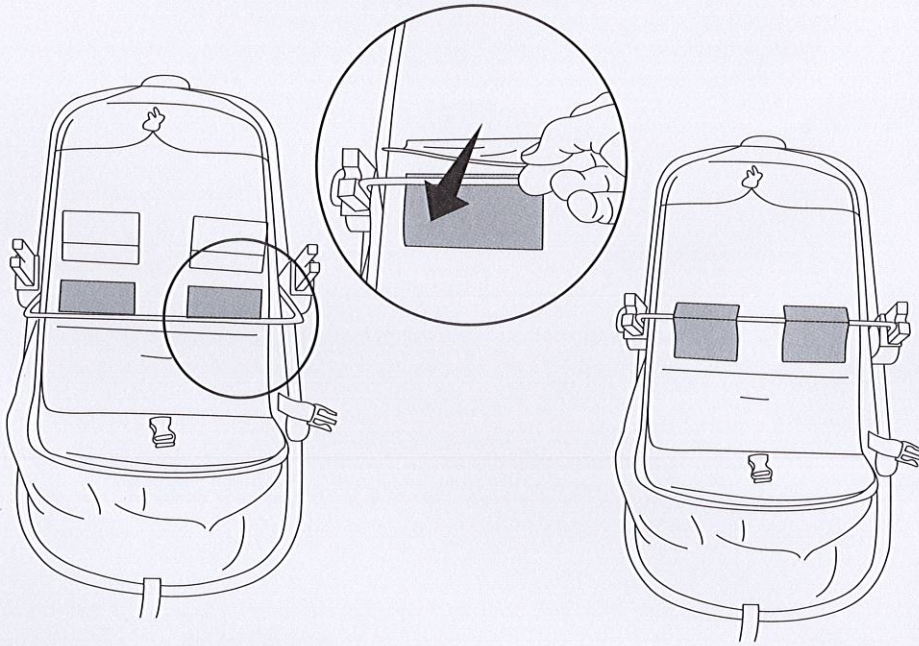


Pram Mode

1. Press the buttons either side of the seat unit (F) footrest and pull up the footrest so it is in line with the rest of the frame.

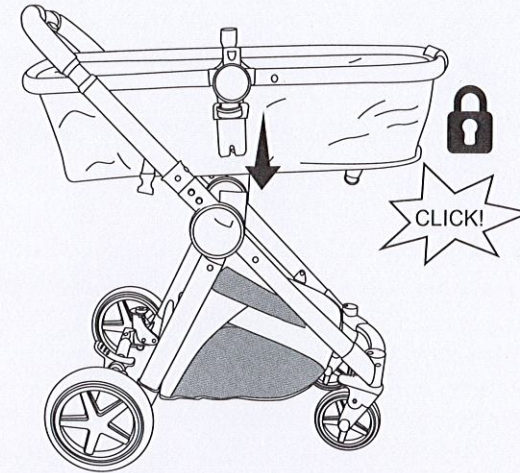


2. On the rear of the seat unit, fasten the Velcro® panels as illustrated. **WARNING! The fabric must cover the metal bracket.**

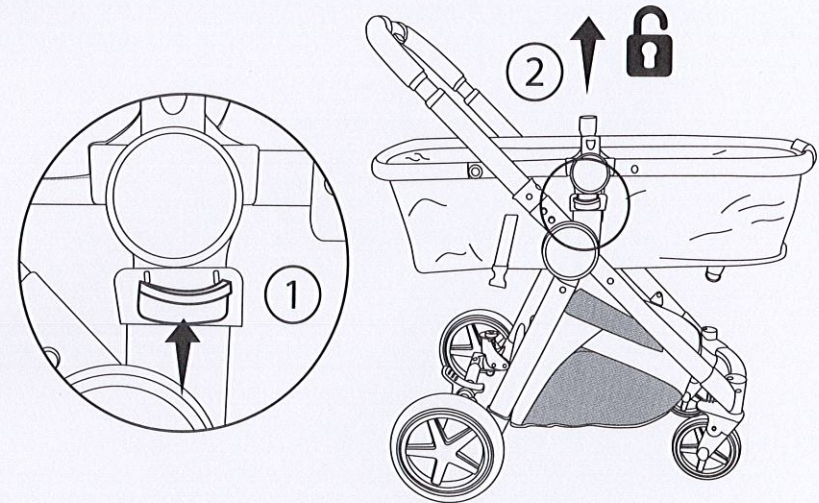


Pram Mode

3a. Attach the seat unit to the chassis. Line up the seat connectors with the chassis housing and press downwards. Listen for a "click" to signal correct assembly.

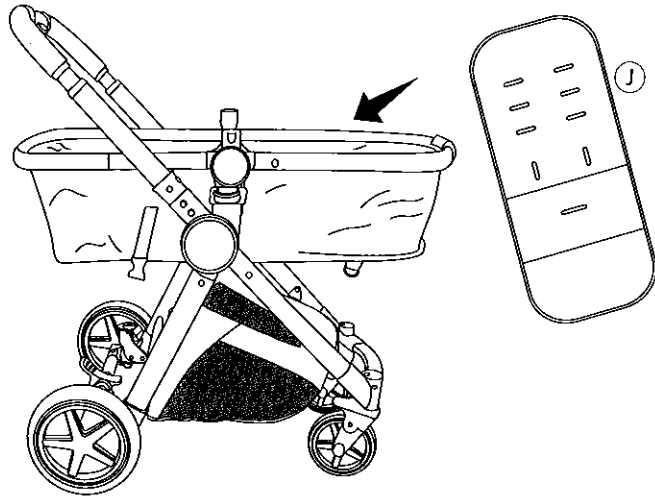


3b. Lift lever both sides of the seat connectors to remove the seat unit from the chassis.



Pram Mode

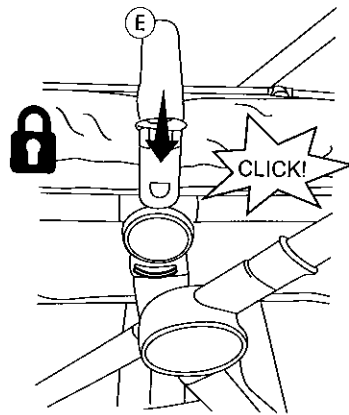
4. Insert the seat liner (J) into the seat unit to add extra comfort for baby.



5. Insert the bumper bar (E) into the seat unit slots ensuring that the release buttons are on the outside and you hear a "click".

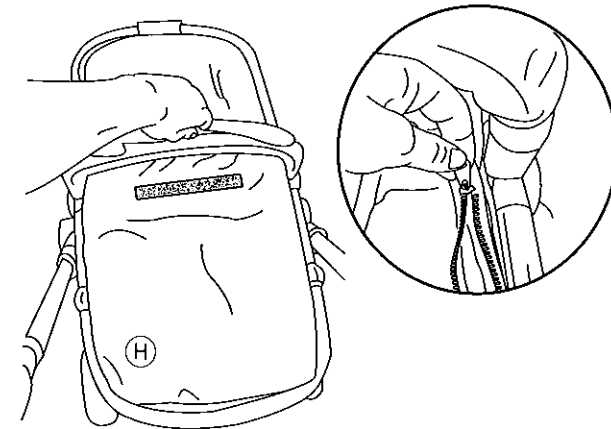
Give the bumper bar a tug to ensure it's securely in place.

To remove the bumper bar, simply press the release buttons on either or both sides and lift up.



Pram Mode

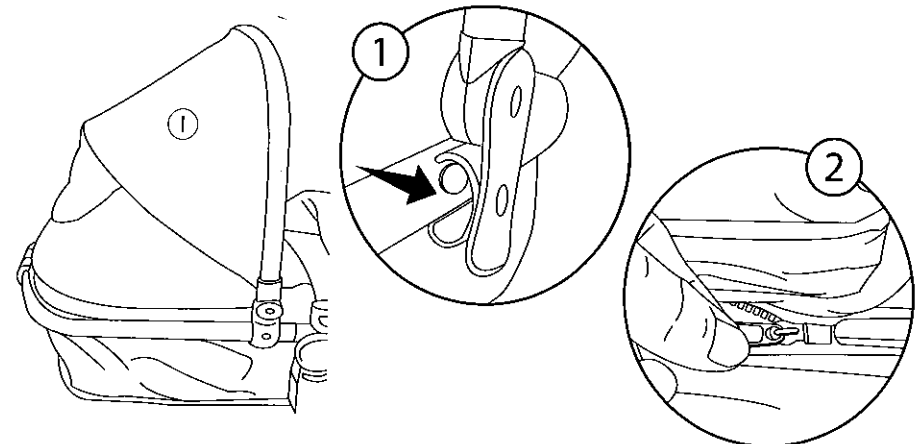
6. Fasten the apron (H), secure the zip around the side and attach Velcro® over the bumper bar.



7a. Attach the canopy (I) to the seat unit.

First attach the plastic canopy clips to their respective sides, ensuring that they sit over the small plastic guides located on each side of the seat unit frame.

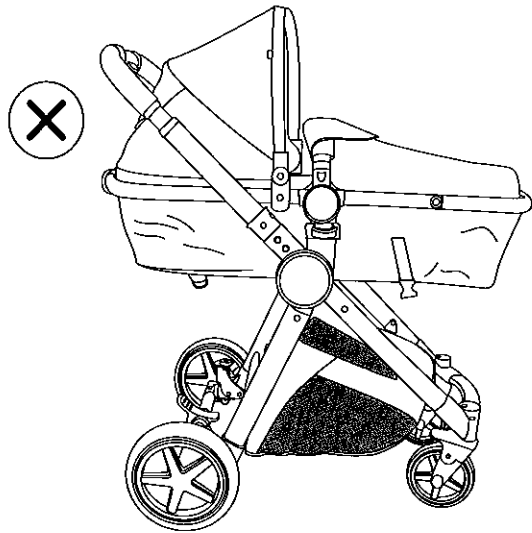
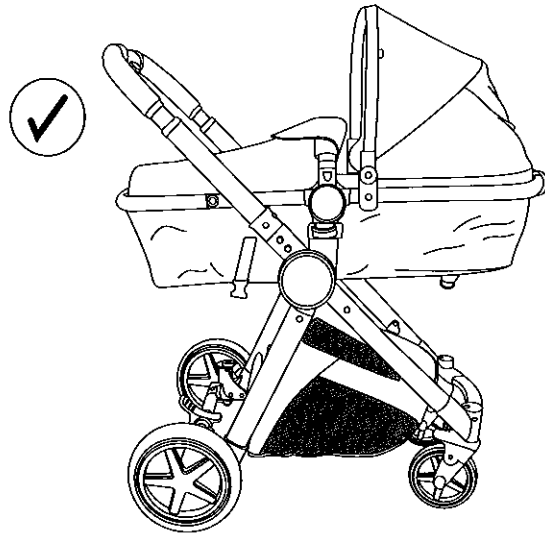
7b. Next, secure the canopy to the frame with the zip. Start with the right side (when facing the seat).



Pram Mode

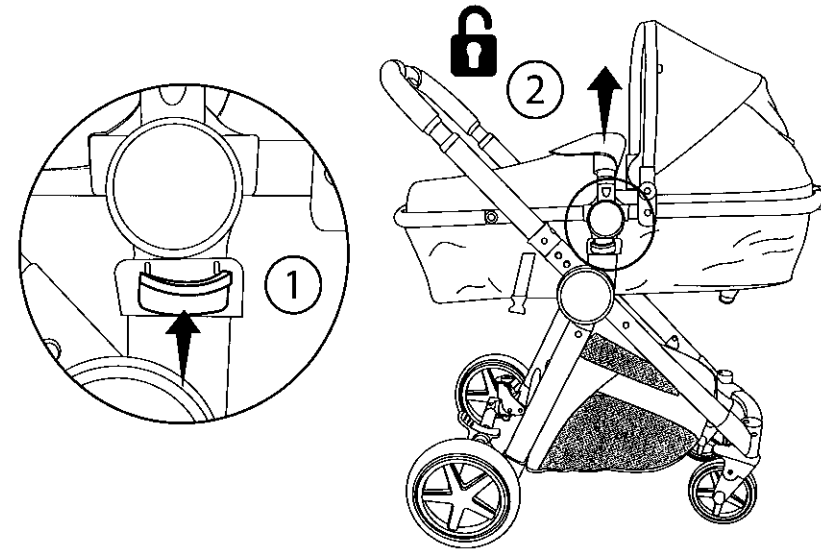
Suitable from birth in pram mode up to a maximum weight of 9kg or until the child can sit up unaided, roll over or push itself up on its hands and knees.

WARNING! Never use in pram mode with seat unit forward facing.

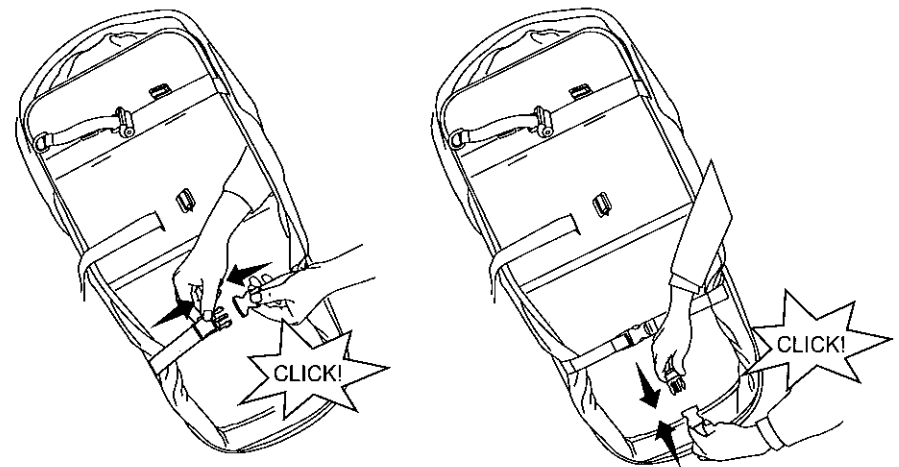


Pushchair Mode

1. Lift lever both sides of the seat connectors to remove the seat unit from the chassis.



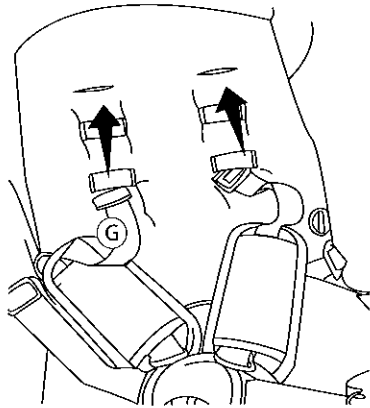
2. Fasten the webbing belts located on the rear side of the seat unit footrest. Listen for the "click" to signal buckles are secure.



Pushchair Mode

3a. Attach the harness (G) to the seat unit.

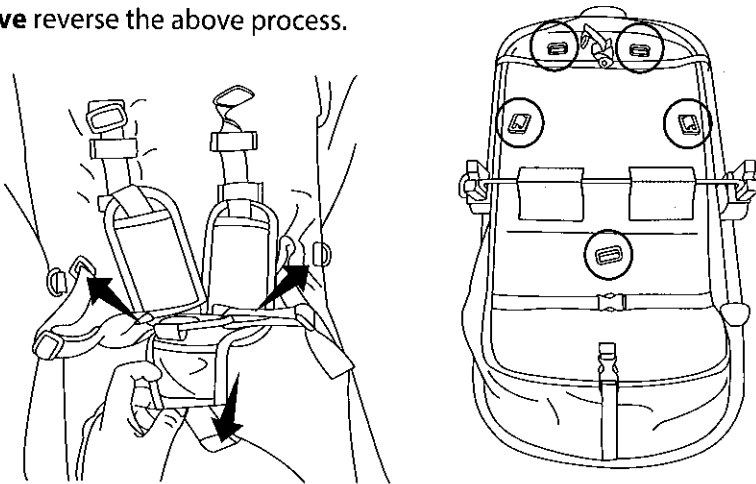
Thread the shoulder strap retainers under the webbing holders and out through the horizontal slots in the seat unit backrest.



3b. Thread the waist strap retainers through the vertical slots in the seat unit backrest and thread the crotch strap retainer through the horizontal slot at the centre of the seat unit.

WARNING! Ensure the strap retainers are fully through and secure at the rear of the seat unit.

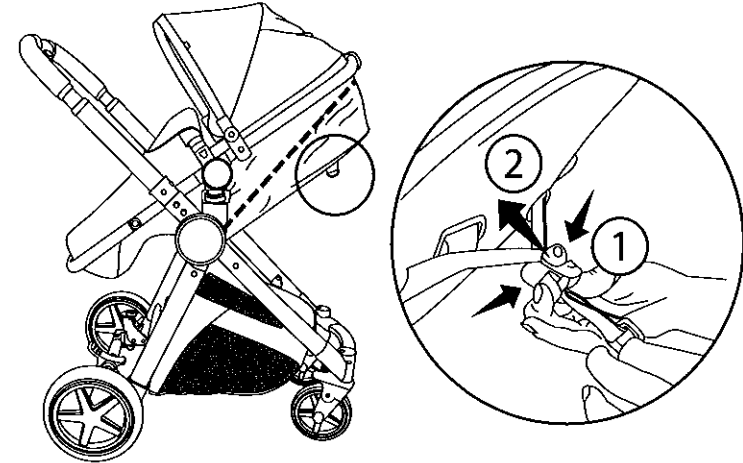
To remove reverse the above process.



Pushchair Mode

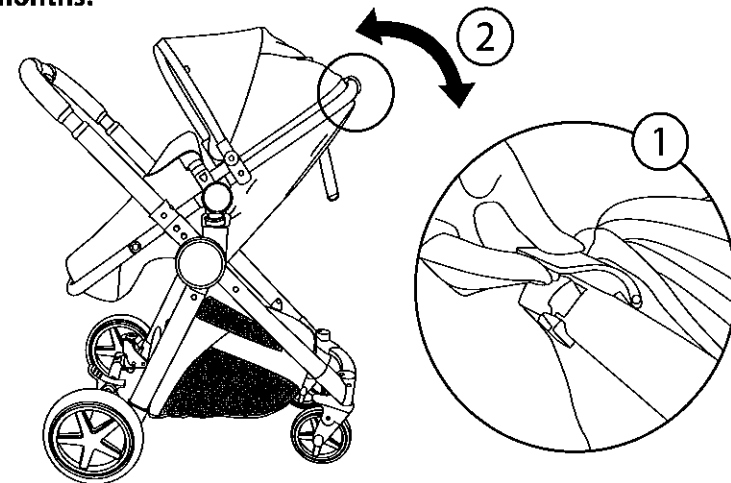
4a. Re-attach the seat unit to the chassis.

Locate the backrest adjustment mechanism at the rear of the seat unit. Squeeze the clip on the reclining harness and gently pull up the backrest.



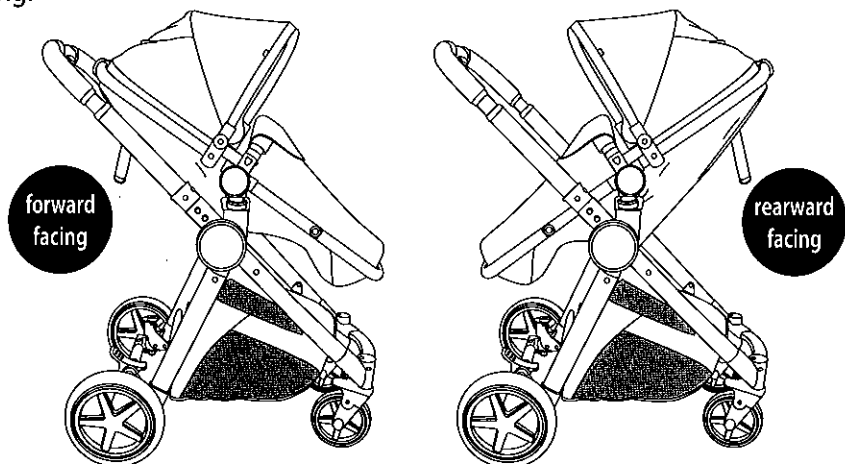
4b. Lift the lever at the back of the seat unit to adjust the seat unit recline. Ensure you hear a "click" as the seat engages at your desired position.

WARNING! The seat unit is not suitable in pushchair mode for children under 6 months.



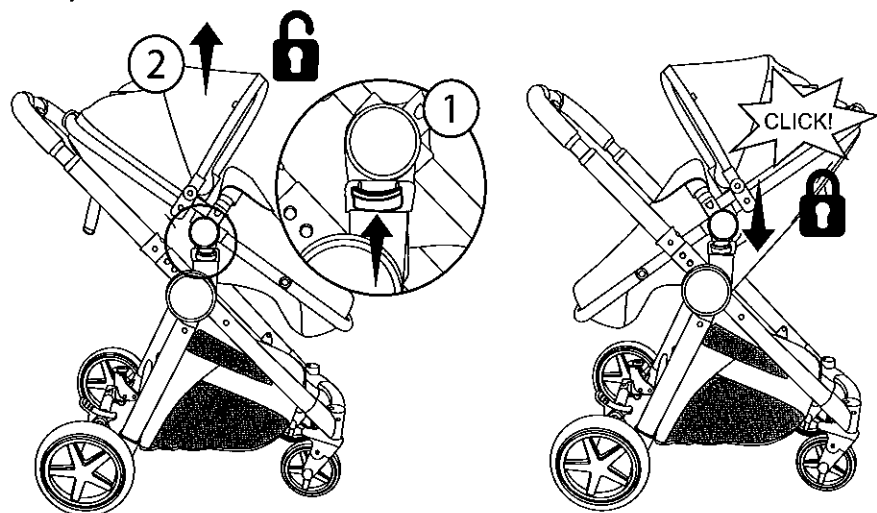
Pushchair Mode

5a. The seat unit is reversible in pushchair mode. It can be forward or rearward facing.



5b. Lift lever both sides of the seat connectors to remove the seat unit from the chassis.

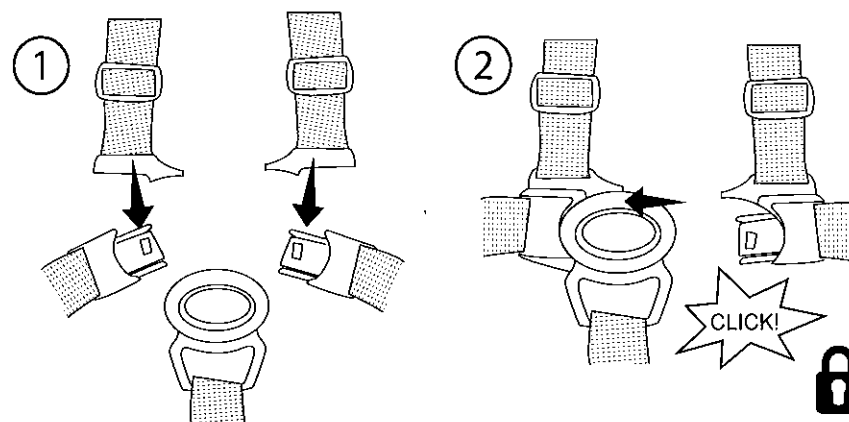
To re-attach the seat unit to the chassis, line up the seat connectors with the chassis housing and press downwards. Listen for a "click" to signal correct assembly.



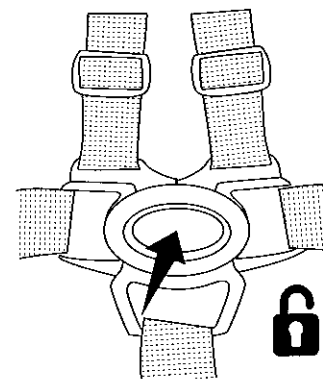
Harness

1. Slide the shoulder strap buckle onto the housing of the waist strap buckle. Repeat for the other side.

2. Insert the completed buckle into the buckle housing until it engages securely in place. Listen for the 'click'. Repeat for the opposite side.



3. Press the centre button to release child from harness.



Harness

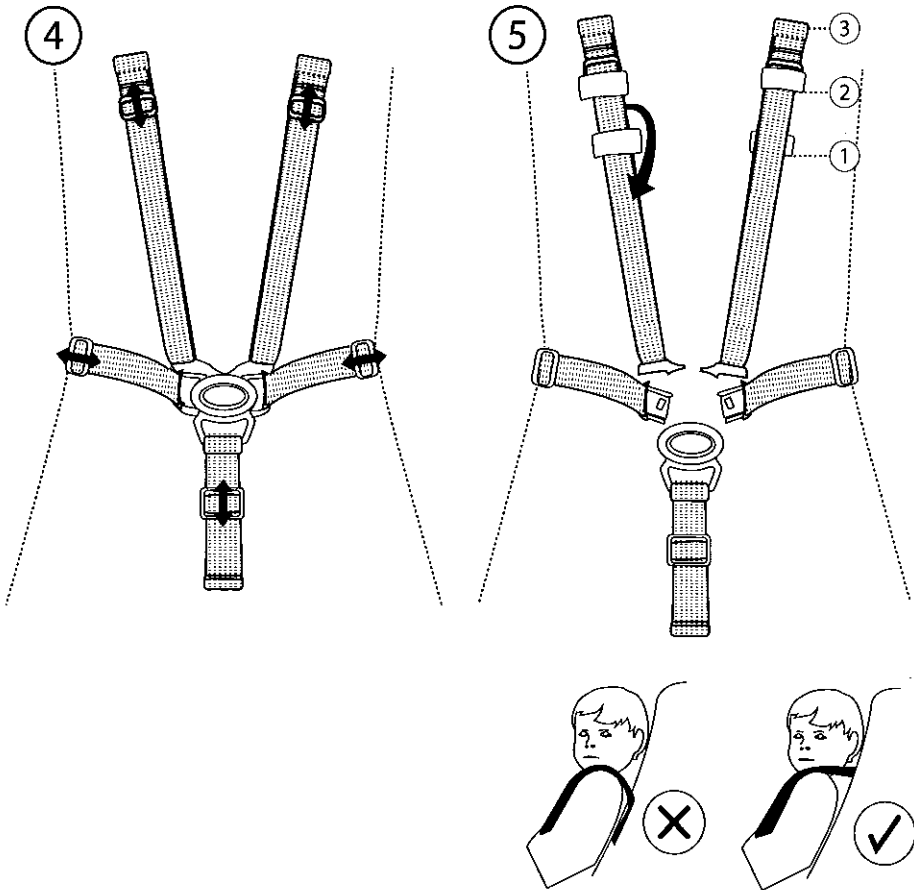
4. To adjust the shoulder straps, move the slides as shown.

WARNING! Always adjust the harness to fit your child correctly for their comfort and safety. A loose fitting harness can be very dangerous.

5. There are 3 shoulder height positions.

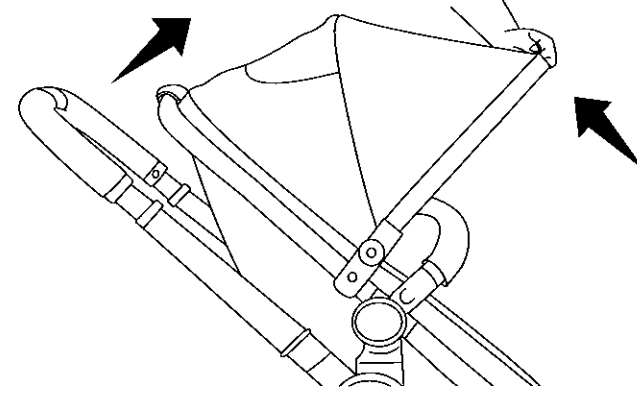
Undo the harness and remove the shoulder pads to adjust the shoulder height. Remove harness strap from webbing holders. Redo harness.

WARNING! Always adjust the shoulder strap height according to baby height.

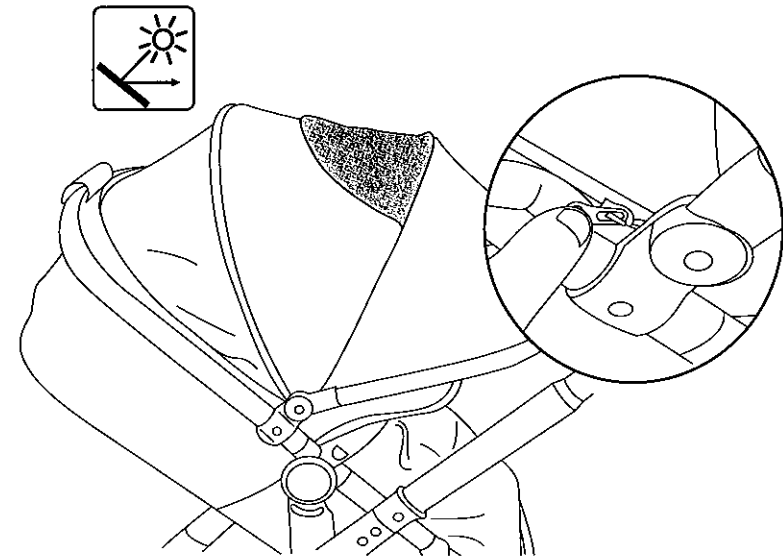


Canopy Adjustment

1. The canopy can be opened or closed by pulling forward or backward on the canopy rim.

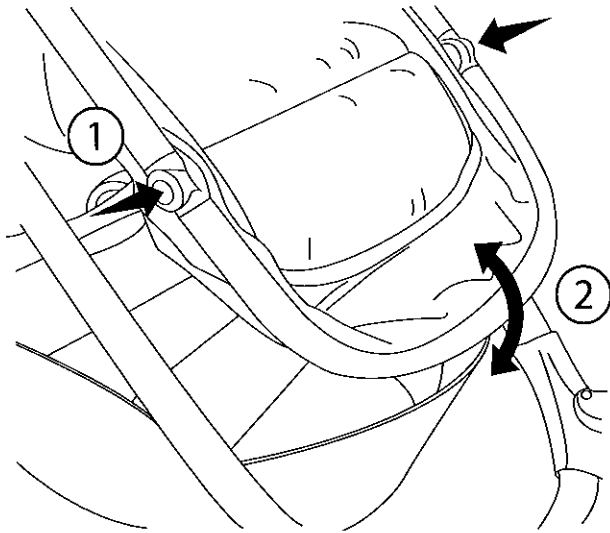


2. The canopy features an extension panel for maximum sun protection and a viewing window to keep an eye on baby in forward facing position.



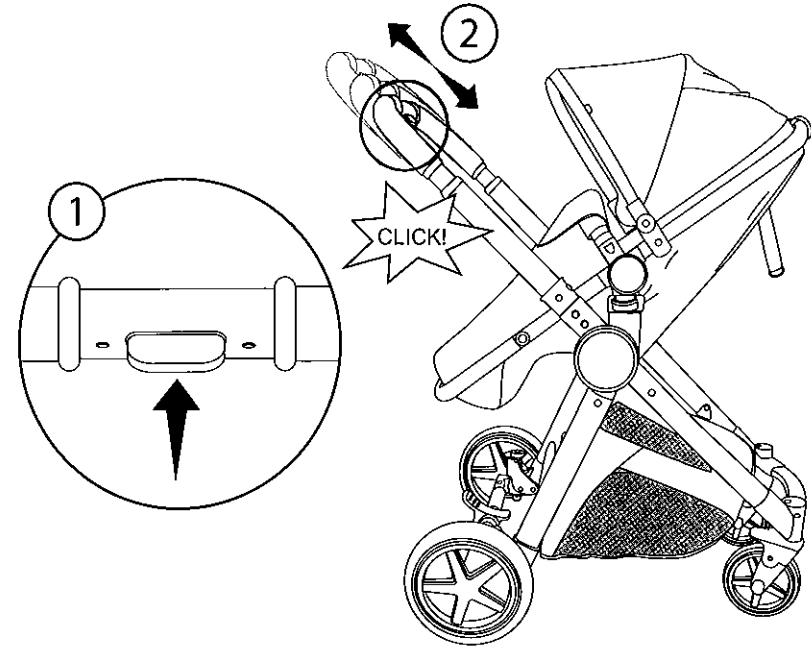
Footrest Adjustment

Press both footrest buttons simultaneously and adjust the footrest to the desired position. Listen for the "click" signalling that the footrest is locked into position.



Handle Adjustment

Push the button in the middle of the handle bar and pull or push the handle to your desired height. The handle will "click" into place. There are 3 handle positions.

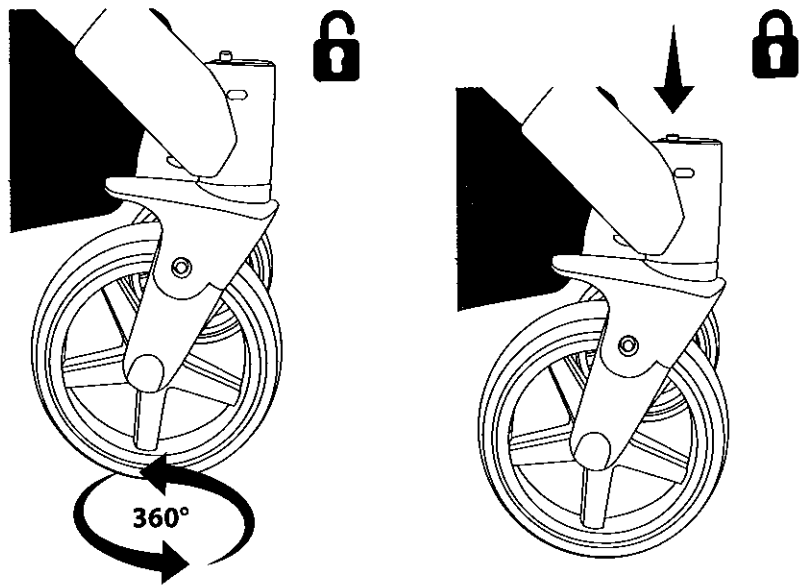


Swivel Wheels

When travelling along straight surfaces or uneven terrain, the front wheels may spin.

To lock the front swivel wheels into place, press down on the grey buttons on the top of the wheel sockets.

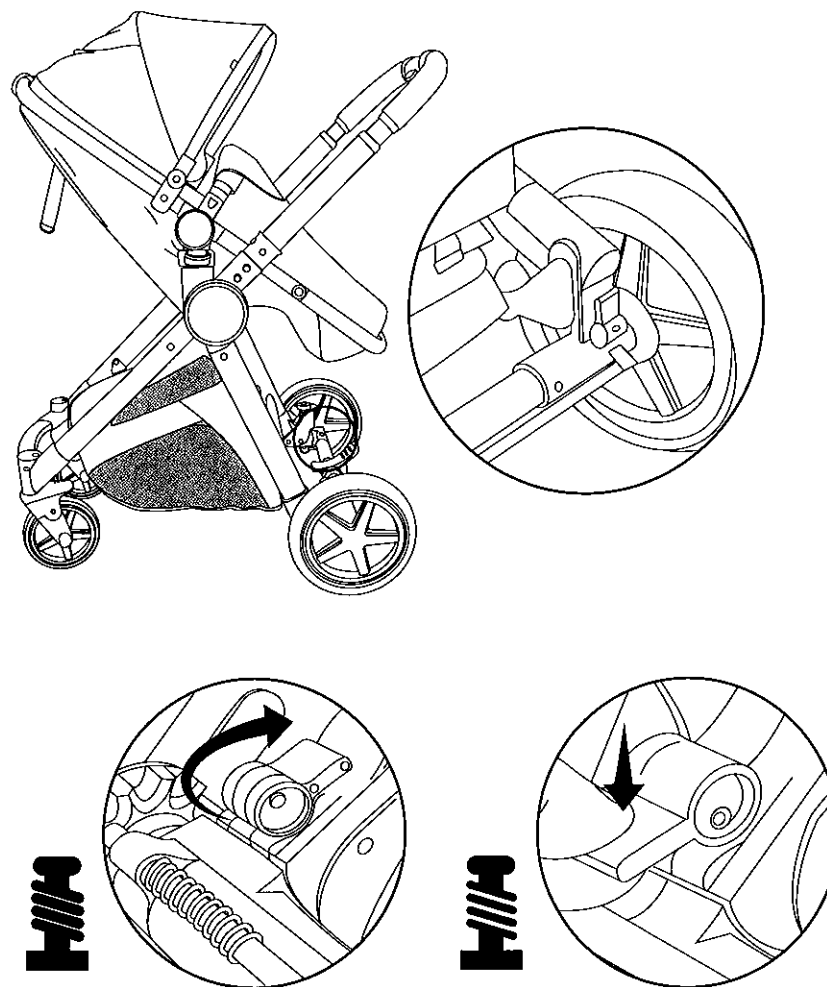
To go back to 360° swivel mode, press the buttons again.



Wheel Suspension

Locate lever underneath the rear wheel axle. Move lever towards the back for softer suspension. For harder suspension, move lever towards the front.

WARNING! Ensure that lever is adjusted to the same position on both sides.



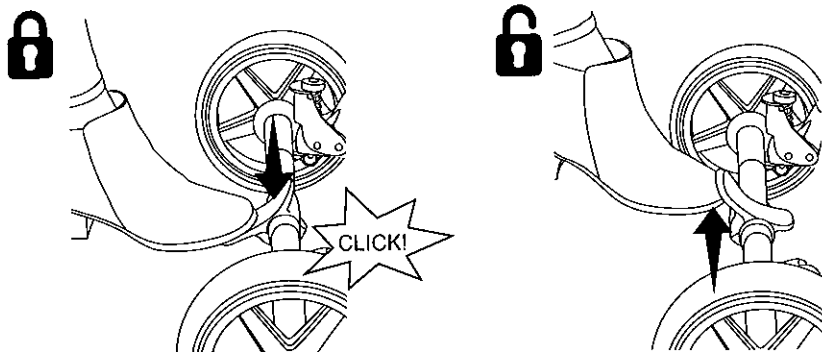
Brakes

Press down on the brake pedal to engage the brake. Listen for the "click" signalling that the brake is locked.

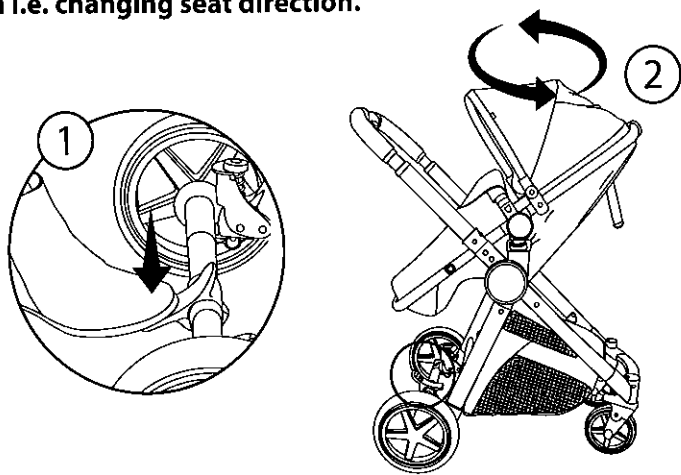
Push the brake pedal upwards to disengage the brake.

WARNING! Always apply the parking brake when the pram is not moving.

WARNING! Always apply the brake when you are placing and removing the child.



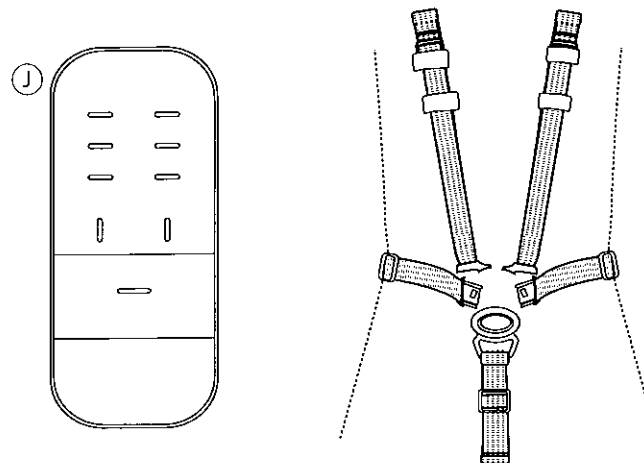
WARNING! Always apply the brake when you are making adjustments to the pram i.e. changing seat direction.



Seat Liner

There is a seat liner (J) included for the seat unit.

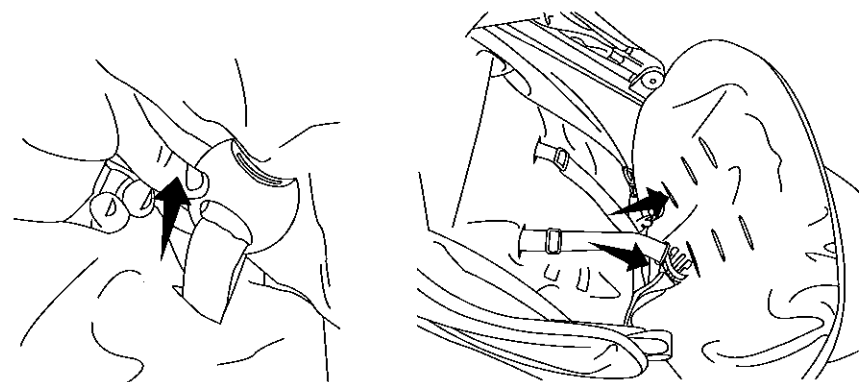
To use the liner in pushchair mode, undo the harness and remove the chest pads and crotch pad.



2. Thread the harness through the slots in the seat liner allocated for the waist, shoulder and crotch straps.

WARNING! Ensure to thread the shoulder harness through the corresponding slot height of the seat unit.

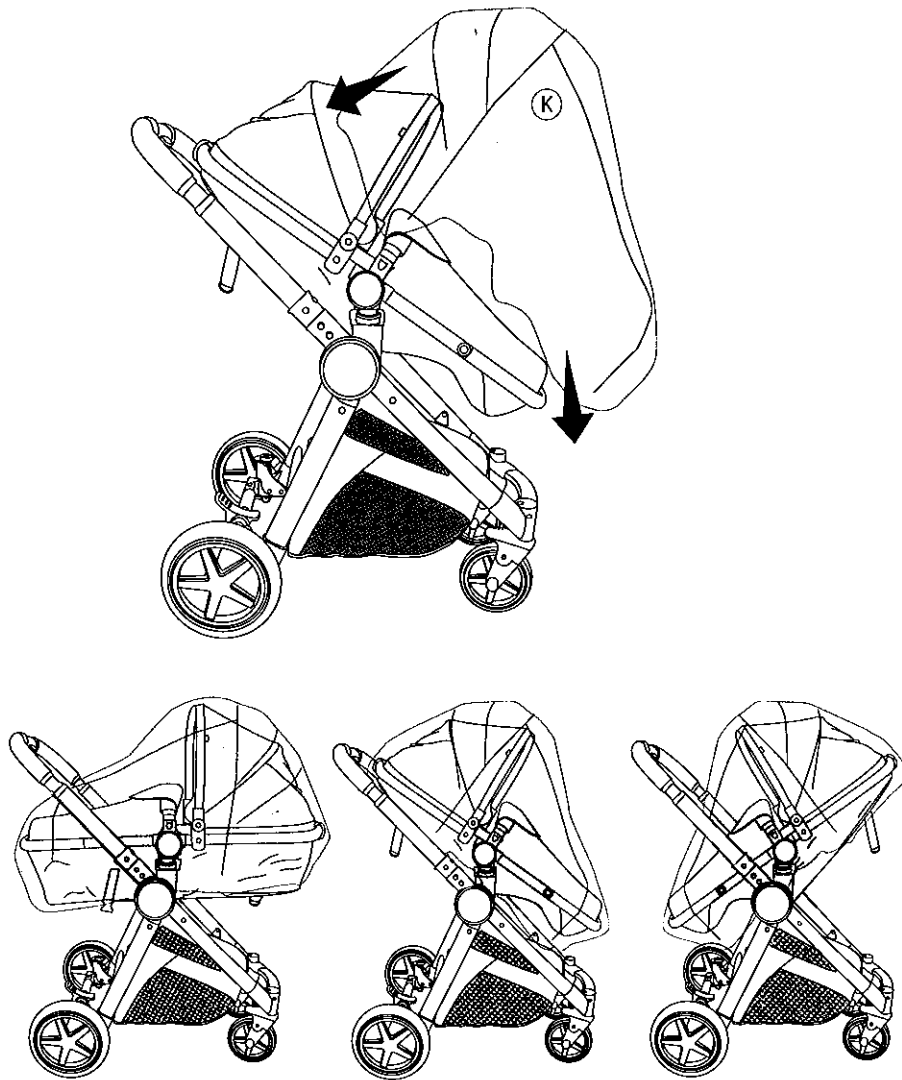
3. Re-attach the chest pads and the crotch pad. Repeat the process to remove the seat liner.



Raincover

Locate the raincover (K). Pull the raincover down over the pram starting at the top of the canopy and pulling down towards the footrest.

NOTE. The raincover will fit in both pushchair and pram mode.



Travel System

A car seat (L) and set of adaptors (M) are included to complete the travel system.

1a. Remove the seat unit from the chassis to fit the adaptors.

Line up the adaptors with the chassis housing and press downwards.

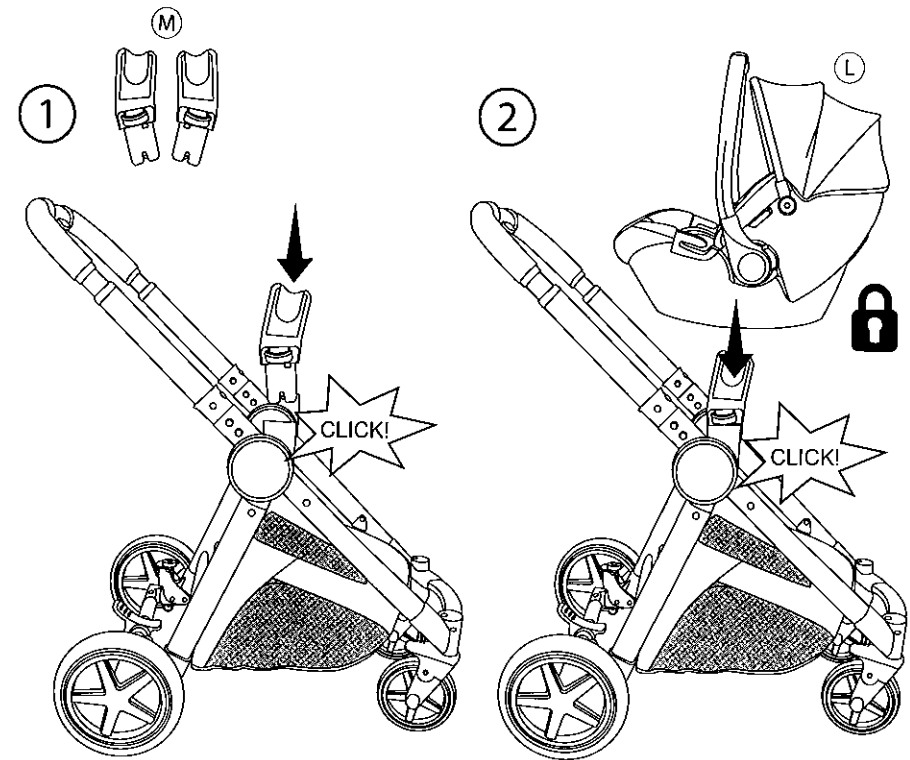
Listen for a "click" to signal correct assembly.

1b. Place the car seat (L) onto the adaptors. Push down to "click" into place.

Lift by handle to ensure car seat is secure.

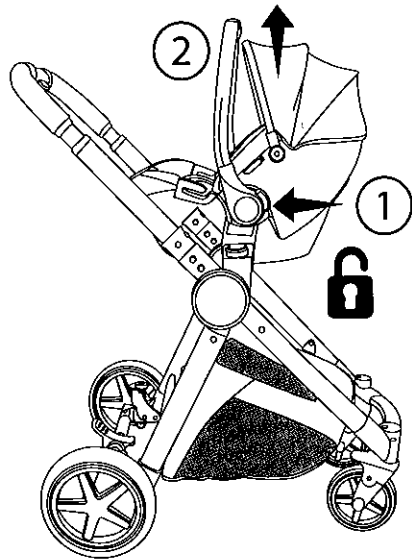
Alternatively, attach the adaptors to the car seat first and then attach the car seat to the chassis.

WARNING! Never attach the car seat forward facing.

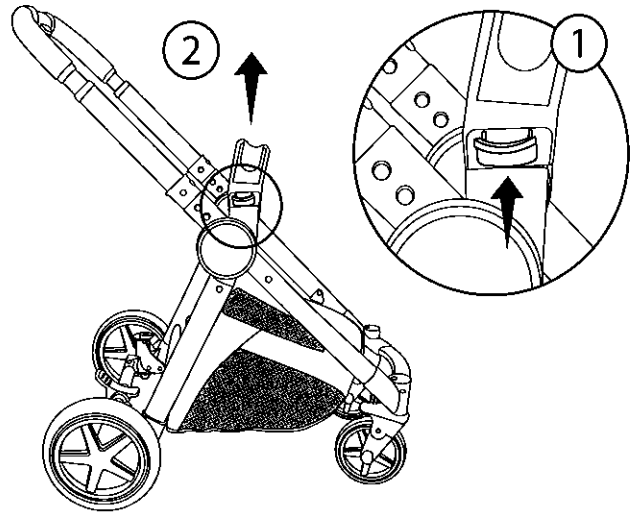


Travel System

2a. Press the button located on the side of the car seat and pull upwards to remove.



2b. Lift lever both sides of the adaptors to remove the adaptors from the chassis.

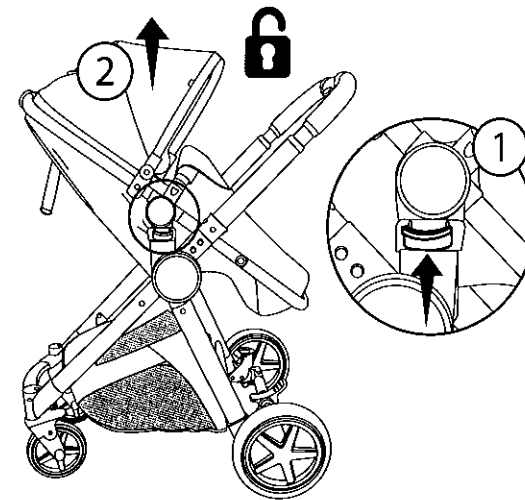


Folding

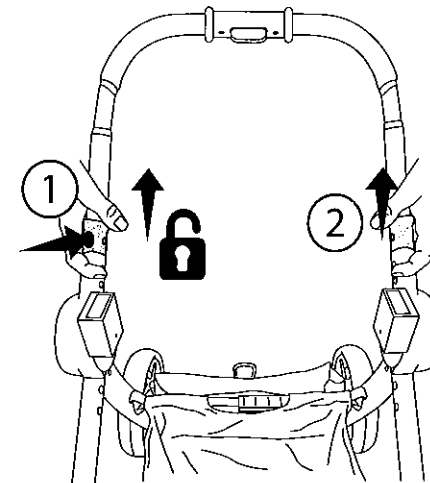
1a. Remove the seat unit or the car seat to fold the chassis.

WARNING! Never attempt to fold the chassis with the seat unit or car seat still attached.

1b. Locate and lift lever both sides of the seat connectors to remove the seat unit from the chassis.

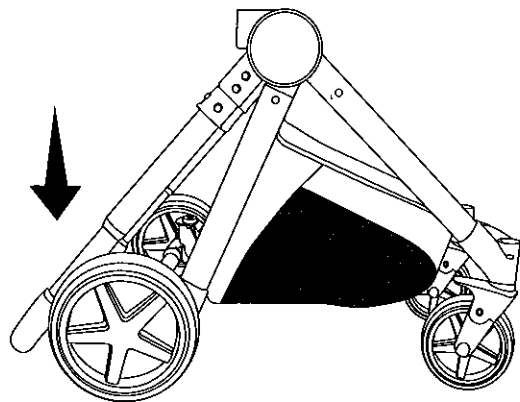


2. Press the grey button on the right release trigger and pull both release triggers towards you.



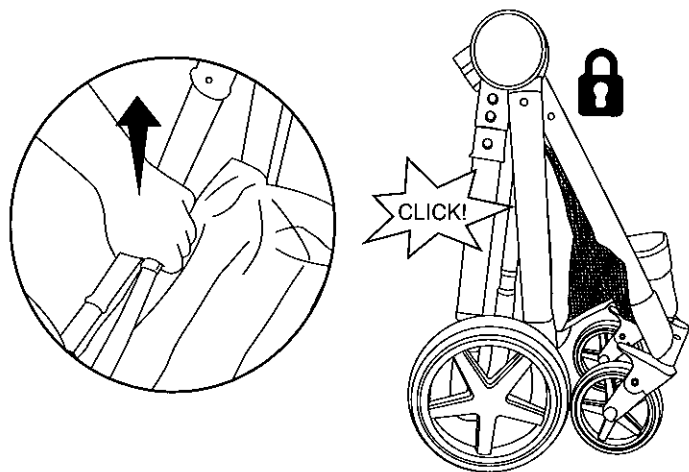
Folding

3. Push the handle downwards.



4. Lift the carry strap to close. The locking catch will engage automatically.

WARNING! To avoid injury ensure that your child is kept away when unfolding and folding this product.



Safety

⚠ IMPORTANT:

**RETAIN FOR FUTURE REFERENCE
READ CAREFULLY**

WARNING! Read these instructions carefully before assembly and use and keep for future reference. The child may be hurt if you do not follow these instructions.

This product is suitable for one child from birth (max. weight 15kg). Suitable from birth in pram mode up to a maximum weight of 9kg or until the child can sit up unaided, roll over or push itself up on its hands and knees.

Follow suitability recommendations given in the separate infant car seat instruction manual.

WARNING! Follow the manufacturer's instructions.

WARNING! Never leave the child unattended.

WARNING! Ensure all locking devices are engaged before use.

WARNING! To avoid injury ensure that your child is kept away when unfolding and folding this product.

WARNING! Do not let your child play with this product.

WARNING! Not suitable for children under 6 months in pushchair mode.

WARNING! ALWAYS USE THE HARNESS AS SOON AS YOUR CHILD CAN SIT UNAIDED.

WARNING! Always use the crotch strap in combination with the waist belt section of the harness.

WARNING! Check that the pram body or seat unit attachment devices are correctly engaged before use.

WARNING! This product is not suitable for running or skating.

WARNING! Do not let other children play or hang on the product.

WARNING! Do not use this product if any part is broken, torn or missing.

Safety

WARNING! Use the most reclined position for new born babies.

WARNING! Do not add an additional mattress to the pram/pushchair.

WARNING! Do not place the product near an open fire or other source of strong heat.

- Adult assembly is required.
- Do not overload this product with additional children, goods or accessories.
- Bags and other items should not be hung from the handles as this can affect the stability of the product.
- Overloading, incorrect folding and the use of non-approved accessories is unsafe and may damage or break this product.
- Do not use parts or accessories which are not approved by the manufacturer.
- Always apply the parking brake when the product is stationary.
- Ensure the parking brake is engaged during the loading and unloading of children.
- Do not allow your child to climb unassisted into the product.
- Never leave the raincover, hood or apron on indoors, in a hot atmosphere or near a heat source as your child may overheat.
- Be careful when going up or down kerbs.
- Remove your child and fold the product when going up or down escalators.
- If this product is used by someone unfamiliar with it e.g. grandparents, always show them how it works.
- Do not use this product near an open fire or exposed flame.
- Take extra care in windy conditions.
- Infant car seats should not be used in place of a cot or cot bed. Should your child need to sleep then it should be placed in a suitable pram body, cot or cot bed.
- To prevent damage, remove the raincover before folding the pushchair.
- Do not place anything on top of the raincover.
- To prevent your child overheating, always fold or remove the raincover when indoors or in warm environments.
- A basket is provided for the carriage of 2kg of items evenly distributed.

This product conforms to EN 1888-1:2018

Care

Maintenance:

- The product requires regular maintenance to ensure correct and safe performance.
- Regularly inspect the wheels, locks, brakes, harness, catches, seat adjusters, joints and fixings to ensure they are clean, operating correctly and in full working order.
- Replace tyres if they are excessively worn.
- Do not use this product if any part is broken, torn or missing and use only spares provided by the manufacturer.
- If parts become stiff or difficult to operate, ensure dirt is not the cause, then try a light application of a silicon lubricant, ensuring it penetrates between the components. Regular lubrication of moving parts will extend the life of your product and make opening and folding easier.
- Your pram should be serviced and reconditioned before using for a second baby, or within 18 months, whichever is sooner.
- After exposure to damp conditions, dry off with a soft cloth and leave fully open in a warm environment. Storing damp will encourage mildew to form. Store in a dry place.
- Do not leave in sunlight for prolonged periods as some fabrics may fade.

Cleaning:

- Spot or sponge clean fabrics with mild detergent. Use mild soap or upholstery shampoo. Wash separately. NEVER use bleach. Dry in shade thoroughly before reuse and avoid direct heat and sunlight. Do not iron. Do not dry clean.
 - Wipe clean plastics and metals with damp cloth.
 - Never clean any part of the product with abrasive, ammonia based, bleach based or spirit type cleaners.
 - Ensure the product is fully dry before use or storage.
 - Always ensure the product is stored in a dry place to prevent mold or mildew developing.
-