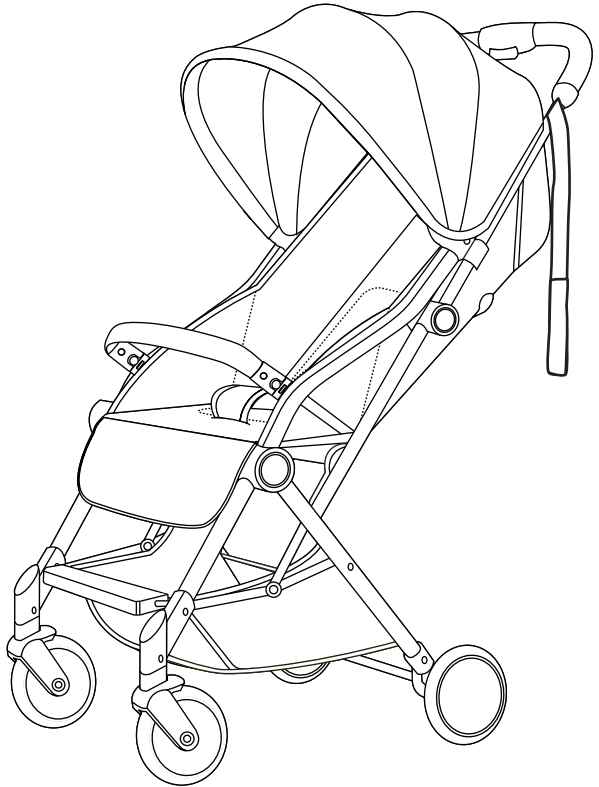




# Compact Stroller

## Instruction Manual



**IMPORTANT:  
RETAIN FOR FUTURE REFERENCE  
READ CAREFULLY**




# 1 Safety Notes

---

## CAUTION:

Read these instructions carefully before assembly and use and keep for future reference. The child may be hurt if you do not follow these instructions.

 **WARNING: TO AVOID INJURY OR DEATH, READ THESE INSTRUCTIONS CAREFULLY BEFORE USE AND KEEP FOR FUTURE REFERENCE.**

 **THE CHILD MAY BE HURT IF YOU DO NOT FOLLOW THESE INSTRUCTIONS.**

 **WARNING: FOLLOW THE MANUFACTURERS INSTRUCTIONS.**

 **WARNING: ALWAYS APPLY THE BRAKES WHENEVER THE STROLLER IS STATIONARY.**

 **WARNING: DO NOT LEAVE THE CHILD UNATTENDED.**

 **WARNING: SECURE THE CHILD IN THE HARNESS AT ALL TIMES.**

 **WARNING: DO NOT CARRY EXTRA CHILDREN OR BAGS ON THIS STROLLER.**

 **WARNING: MAKE SURE CHILDREN ARE CLEAR OF ANY MOVING PARTS IF YOU ADJUST THE STROLLER.**

# 1 Safety Notes

---

**OTHERWISE THEY MAY BE INJURED.**

**⚠ WARNING: USE THE HARNESS AT ALL TIMES.**

**⚠ WARNING: USE THE TETHER STRAP TO STOP THE STROLLER ROLLING AWAY.**

**Remember, your child's safety is your responsibility:**

- Always fit and use the tether strap when the stroller is in use.
- When using the stroller, always ensure your hand is positioned in and around the tether strap. The strap is a compulsory safety feature which must be used at all times. It is for the safety and benefit of your child.
- The correct use and maintenance of this vehicle are essential.
- Be sure that all clamps and buckles are securely fixed and in place before use.
- When in the stroller, your child must always wear the safety harness, correctly fitted and adjusted, at all times.
- Always use the harness correctly fitted and adjusted, with your child in the seat.
- Never leave the harness buckles when not fitted to a child in the stroller because the harness can form loops which may pose a strangulation hazard.
- The maximum weight of the child for which this stroller is intended is 15kg.
- The stroller will become unstable if the manufacturer's recommended load is exceeded.
- Use the stroller on flat or gentle sloping surfaces. It may be unstable on higher sloping and uneven surfaces - be aware of the possibility of the vehicle tipping over.
- Care should be taken if the stroller is used on stairs or escalators.
- Care must be taken when folding and unfolding the product to prevent finger entrapment.
- This product is suitable to be used with a new born baby. Please ensure the seat is in its full recline position when using with a new born child.
- Check all parts before use for breakage or fatigue. Discontinue use immediately if any part is found to be damaged or broken.
- Maximum load of basket is 2kg.
- Do not carry additional children. This stroller is manufactured for the use with one child only.

# 1 Safety Notes

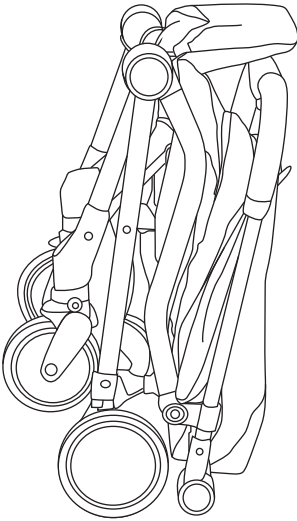
---

- Always be aware of the risks provided by fire and other significant sources of heat such as radiators etc. which may be in the immediate vicinity of your stroller.
- Be aware of the risk of open fire and other sources of heat, such as electric bar fires, gas fires etc. in the vicinity of the stroller.
- It may be unsafe to use any accessories other than those approved by the manufacturer.
- Lift and carry the vehicle safely. Please ensure all locking devices are engaged before lifting stroller - injuries can occur from moving parts.
- Only carry stroller if folded and locking or storage latches are engaged. Please apply storage latch if latch does not engage automatically.
- Never leave a raincover, hood or apron on the product indoors, in a hot atmosphere or near a heat source, as your child may overheat.
- This product is intended for domestic use only. It is not for commercial use.

**This product complies with EN 1888:2012**

## 2 Parts List

---



**A x 1**  
stroller



**B x 1**  
bumper bar

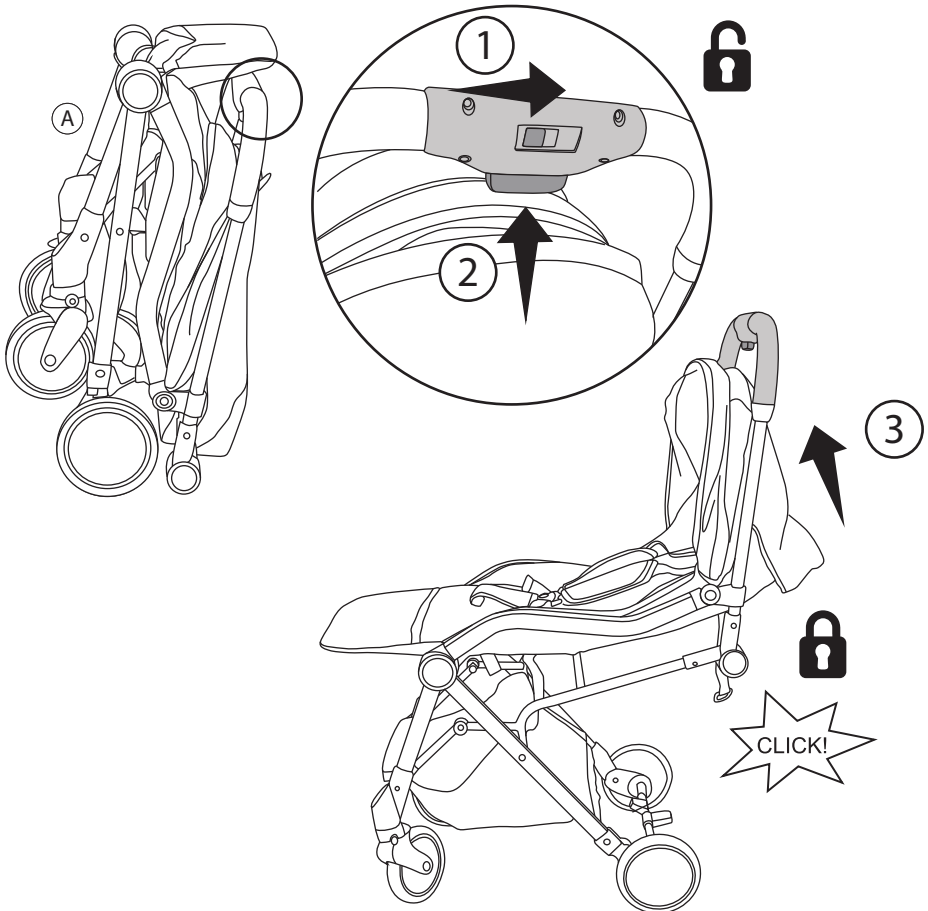
### 3 Unfolding

Unpack all contents and check that all parts are present before starting assembly. Please refer to the parts list.

1. Located on the stroller (A) handle, slide the folding button across.
2. At the same time, push up the safety lock.
3. And lift up the stroller handle to open. The stroller will “click” when locked into position.

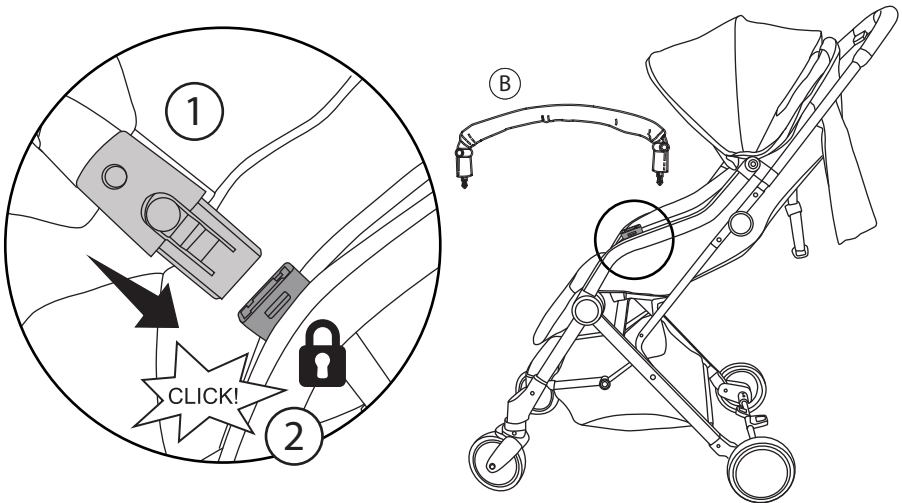
### WARNING:

Ensure the frame lock is fully engaged before placing child in stroller.

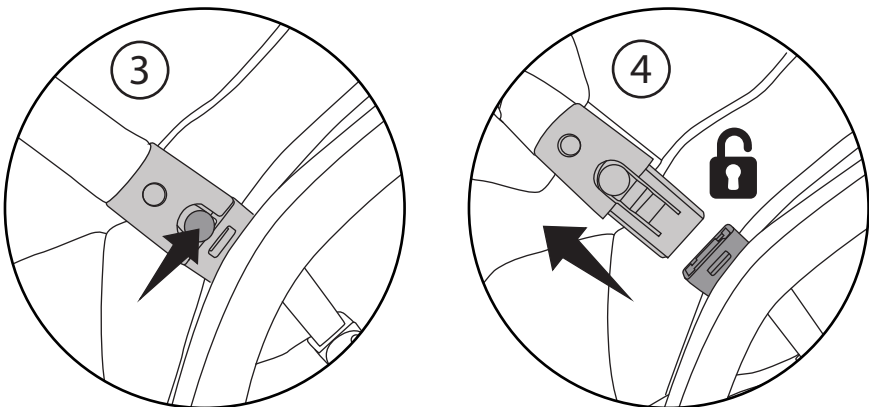


## 4 Bumper Bar Assembly

1. Insert the ends of the bumper bar (B) into the attachment points on the stroller frame.
2. Wait to hear them 'click' into position.  
Lift gently to ensure the bumper bar is locked into place.



3. Press buttons located either side of the bumper bar housing.
4. Lift to remove bumper bar from stroller.





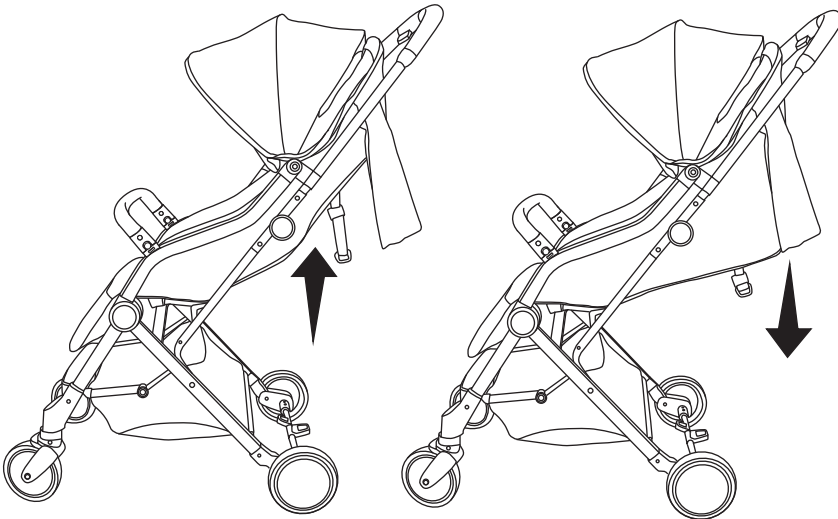
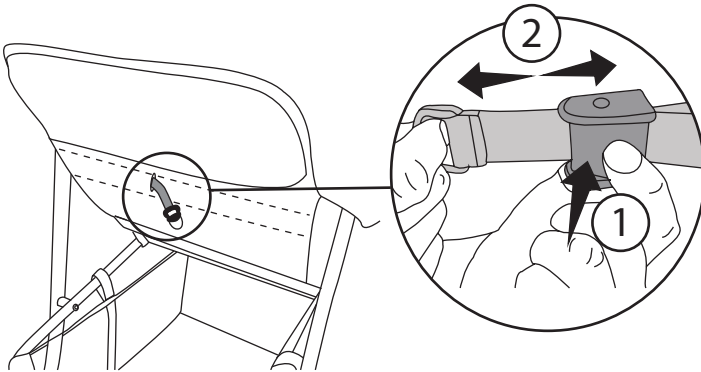
## 5 Backrest Adjustment

---

1. Locate the backrest adjustment mechanism at the rear of the seat. Squeeze the clip on the webbing strap.
2. Slide the clip up or down the webbing strap to gently pull up or lower the backrest. Release the clip at desired backrest recline.

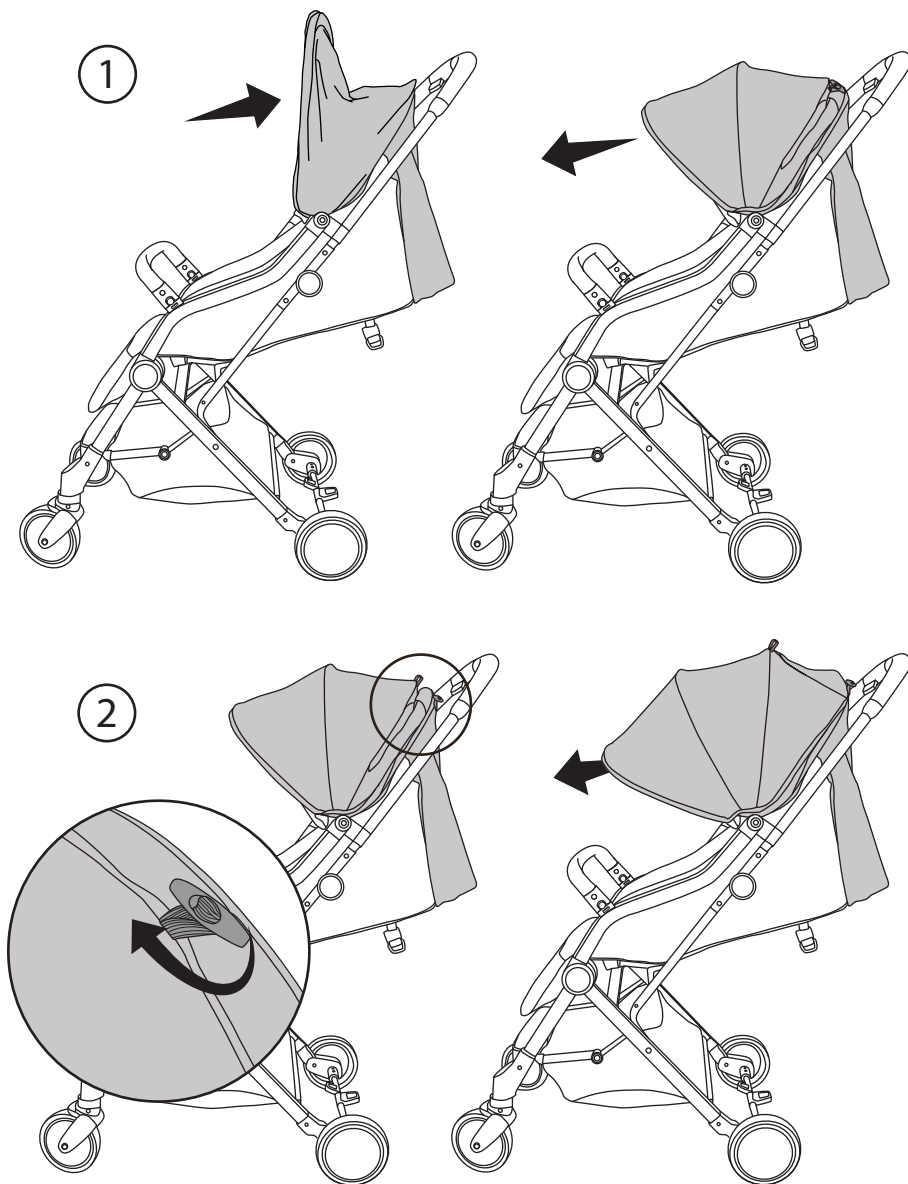
 **WARNING:**

Always ensure that the seat is securely fixed in position before use.



## 6 Canopy

1. The canopy can be opened or closed by pulling forward or backward on the canopy rim.
2. Release the toggle to extend canopy with mesh air vent.



# 7 Brakes

---

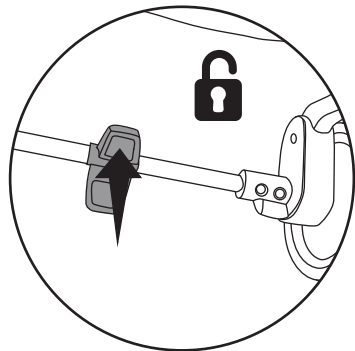
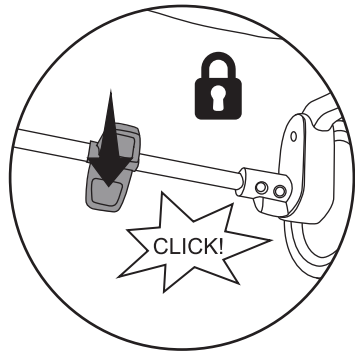
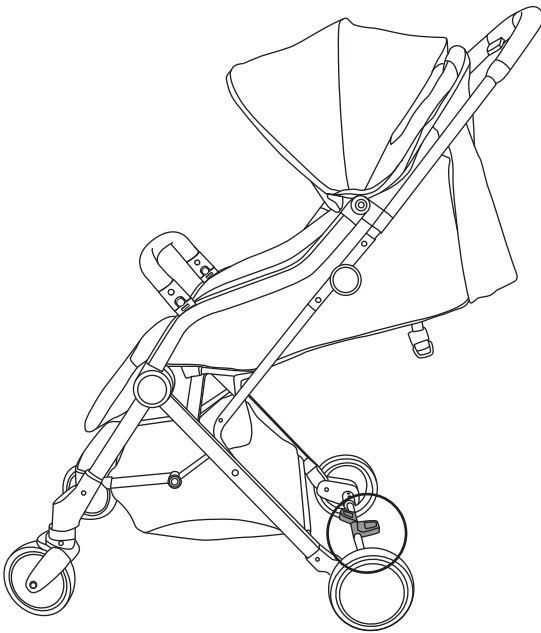
To engage the brake push down brake locking pedal. Lift up pedal to release brake. The brake will 'click' when locked into position.

## **WARNING:**

Always apply the parking brake when the stroller is stationary.

## **WARNING:**

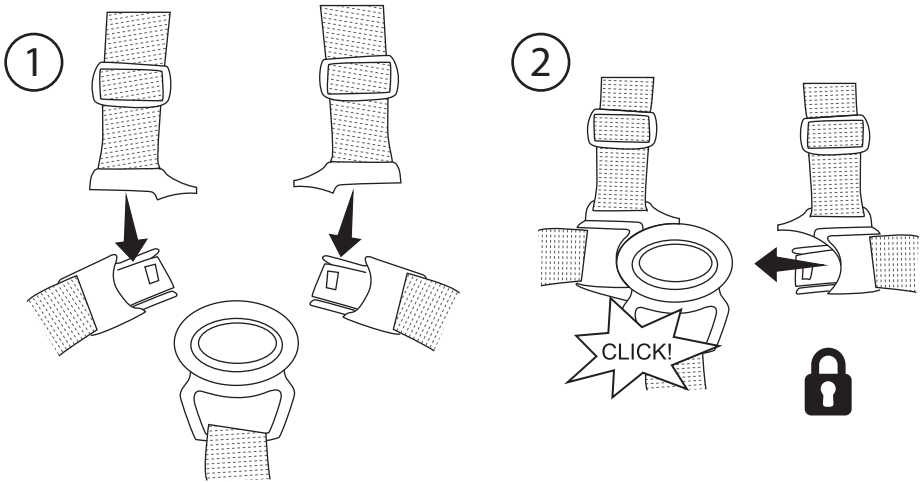
Ensure the parking brake is engaged during the loading and unloading of children.



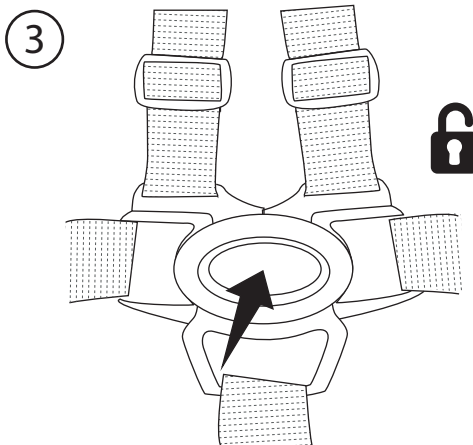
# 8 Harness Operation

---

1. Slide the shoulder strap buckle onto the housing of the waist strap buckle. Repeat for the other side.
2. Insert the completed buckle into the buckle housing until it engages securely in place. Listen for the 'click'. Repeat for the opposite side.



3. Press the centre button to release child from harness.



# 8 Harness Operation

4. To adjust the shoulder straps, move the slides as shown.

## WARNING:

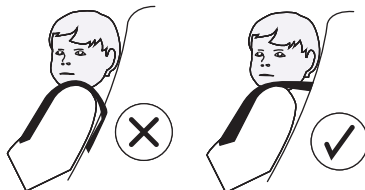
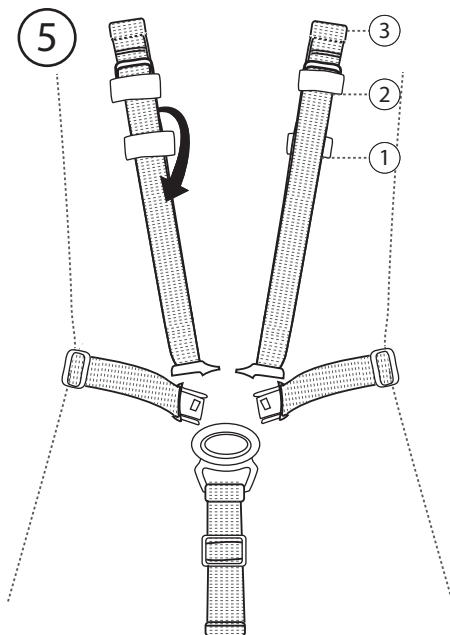
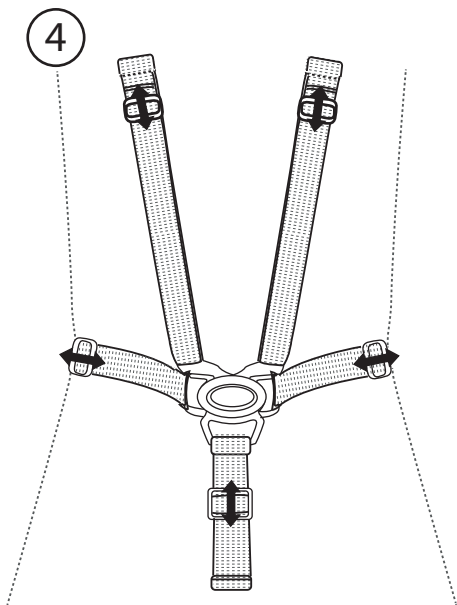
Always adjust the harness to fit your child correctly for their comfort and safety. A loose fitting harness can be very dangerous.

5. The stroller has 3 shoulder height positions.

Undo the harness and remove the shoulder pads to adjust the shoulder height. Remove harness strap from webbing holders. Redo harness.

## WARNING:

Adjust the shoulder strap height according to baby height.



## 9 Tether Strap

---

The stroller includes a tether strap for your child's safety

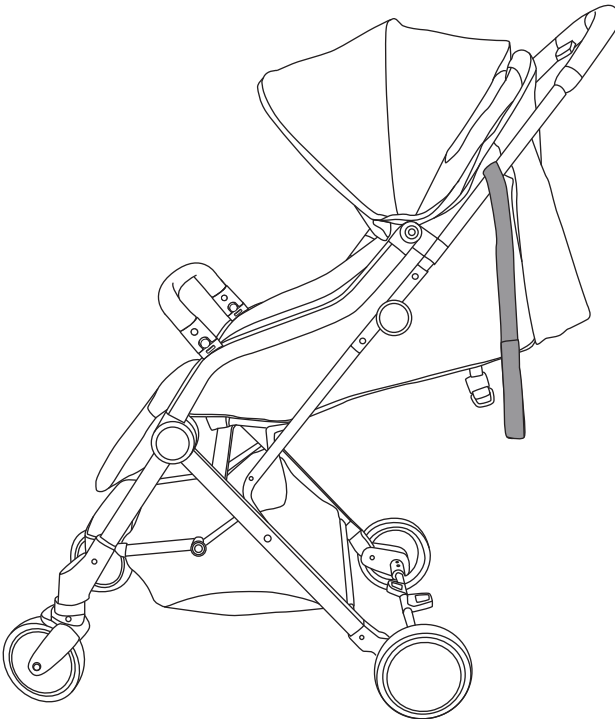
When using the stroller, always ensure your hand is positioned in and around the tether strap. The strap is a compulsory safety feature which must be used at all times. It is for the safety and benefit of your child.

**! WARNING:**

Use the tether strap to stop the stroller rolling away.

**! WARNING:**

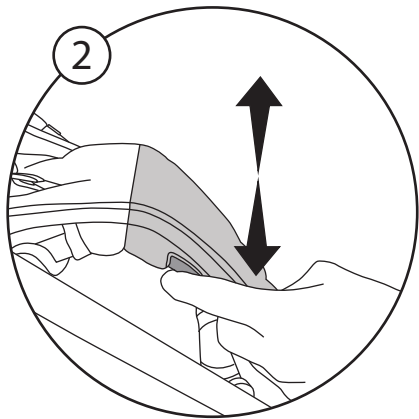
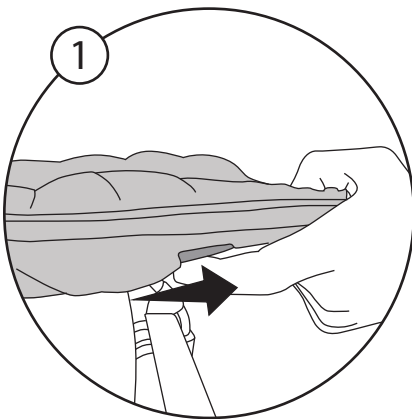
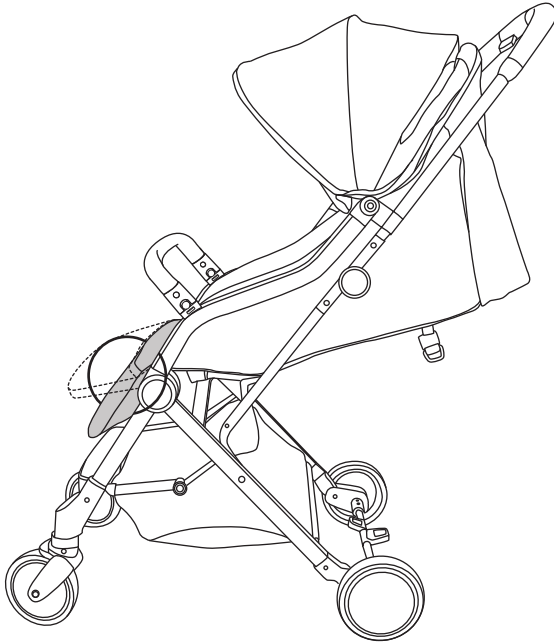
Always fit and use the tether strap when the stroller is in use.



# 10 Footrest Adjustment

---

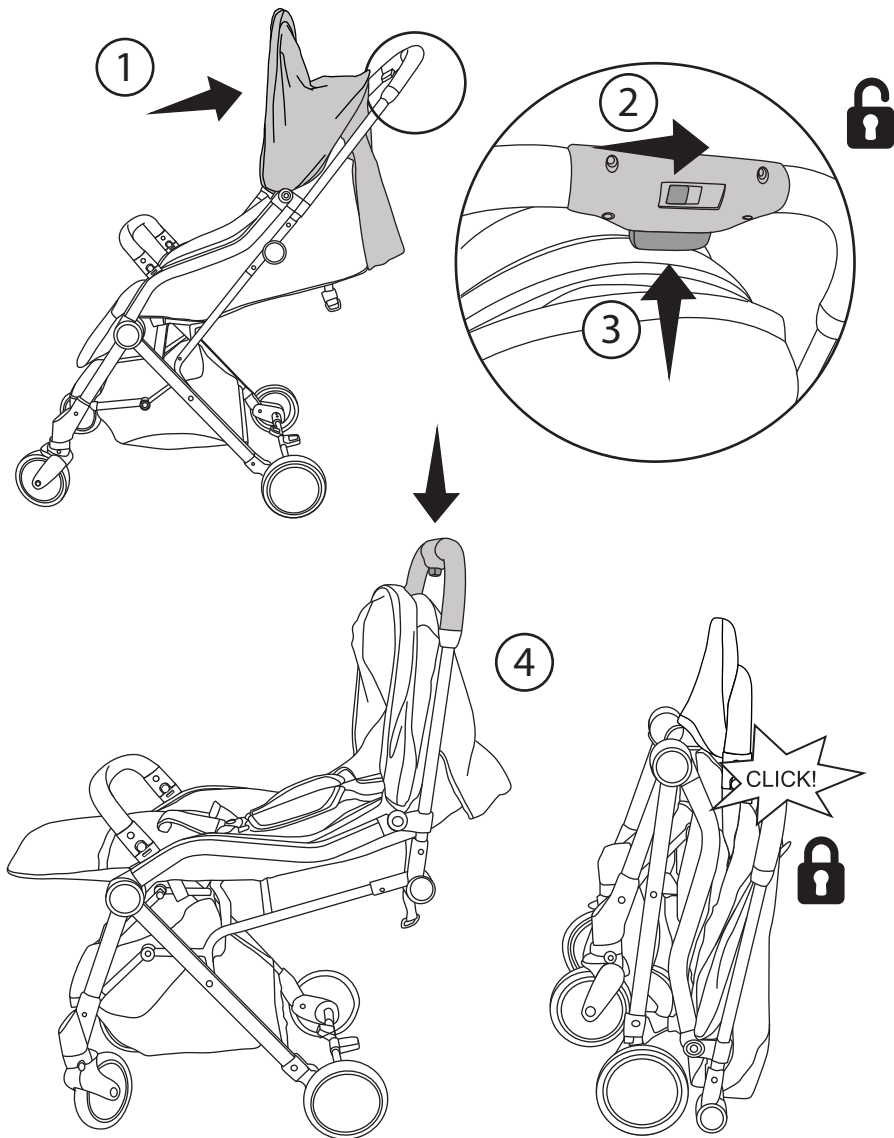
1. Locate the adjustment levers either side of the footrest. Pull levers towards you.
2. Adjust to the required position.



# 11 Folding

---

1. Fold the canopy
  2. Slide the folding button across.
  3. At the same time, push up the safety lock.
  4. And push the stroller handle down until the lock engages with a 'click'.
- Note. the bumper bar folds automatically when the stroller is folded.





# 12 Care

---

## Maintenance

This product requires regular maintenance to ensure correct and safe performance. Regularly inspect the wheels, locks, brakes, harness, catches, seat adjusters, joints and fixings to ensure they are clean, secure and in full working order.

Replace tyres if they are excessively worn.

If parts become stiff or difficult to operate, ensure dirt is not the cause, then try a light application of a silicon lubricant, ensuring it penetrates between the components. Regular lubrication of moving parts will extend the life of your product and make opening and folding easier.

Your stroller should be serviced and reconditioned before using for a second baby, or within 18 months, whichever is sooner.

After exposure to damp conditions, dry off with a soft cloth and leave fully open in a warm environment. Storing damp will encourage mildew to form. Store in a dry place.

Do not leave in sunlight for prolonged periods - some fabrics may fade.

## Cleaning

Plastic and metal parts may be sponged lightly using warm water and a mild detergent.

Dry thoroughly before storing.

Removable and non-removable fabric covers may be hand washed or spot cleaned. Use mild soap or upholstery shampoo. Wash separately. Do not bleach.

Dry in shade thoroughly before re-use and avoid direct heat and sunlight. Do not iron. Do not dry clean ☒.

Never clean any part of the product with abrasive, ammonia based, bleach based or spirit type cleaners.



The Babyfactory NZ Ltd,  
58 Stonedon Drive, East Tamaki,  
Auckland NZ.  
[www.babyfactory.co.nz](http://www.babyfactory.co.nz)

Babyco Australia  
[www.babyco.com.au](http://www.babyco.com.au)