

Safety

WARNING! Not to be used by children over 15kg due to its construction, strength and design.

- Ensure all users are familiar with the products operation.
- Ensure your highchair is fully erected before placing your child inside.
- Do not allow your child to climb unassisted into, play with or hang onto the highchair. This is not a toy.
- All additional hazards such as electrical flex should be kept out of the reach of children in the highchair.
- Adult assembly is required.
- When using the highchair at a table, ensure your child can not push against the table or another surface as this could result in the chair tipping.
- Ensure the wheel locks/ brakes are engaged when not moving the highchair.

Care

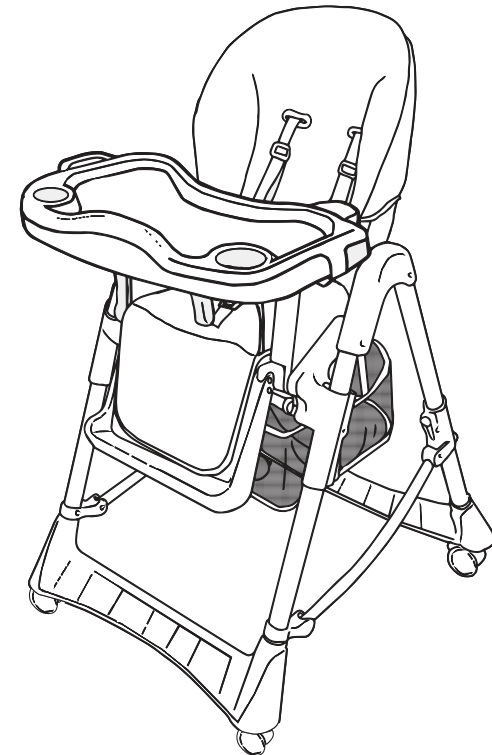
Maintenance

- Ensure all locking devices work correctly and regularly check the locks and fittings for security.
- Regularly check all parts for wear and tear.
- Do not use spray lubricants, simply wipe clean after use.

Cleaning

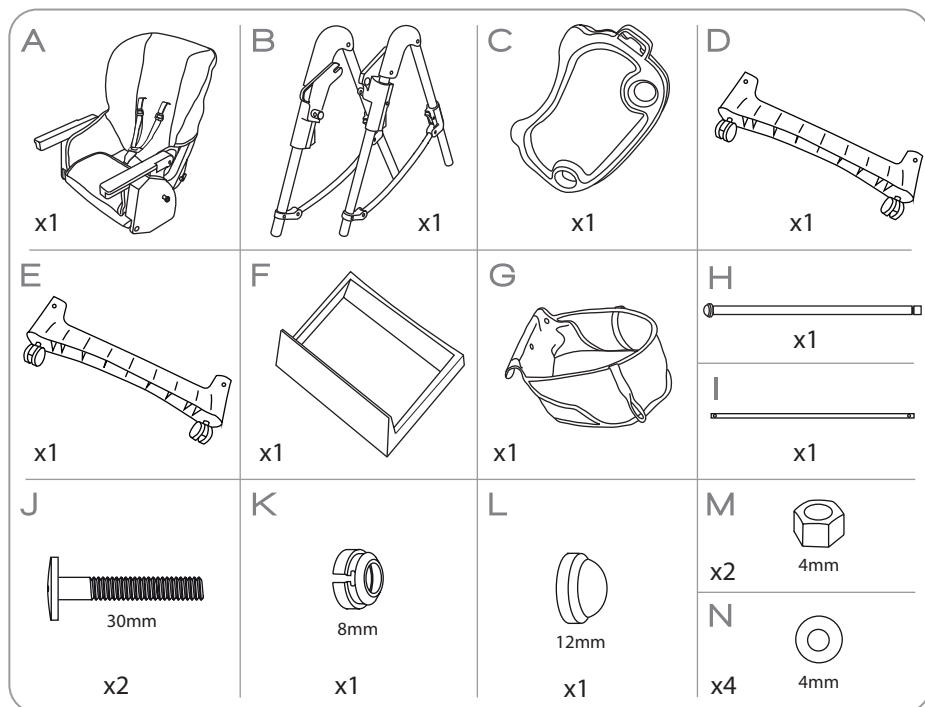
- The highchair can be cleaned by sponging with warm soapy water and a mild detergent. A mild disinfectant may be used if desired.
- Stubborn marks may be removed with a non abrasive cleaner. Never clean with abrasive, ammonia based, bleach based or spirit type cleaners.

Crunch Highchair

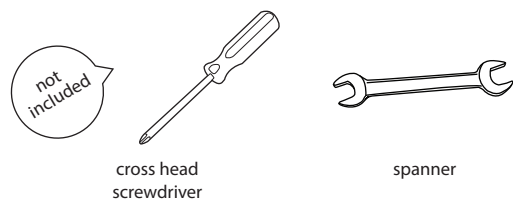


**IMPORTANT: KEEP FOR FUTURE
REFERENCE. READ CAREFULLY**

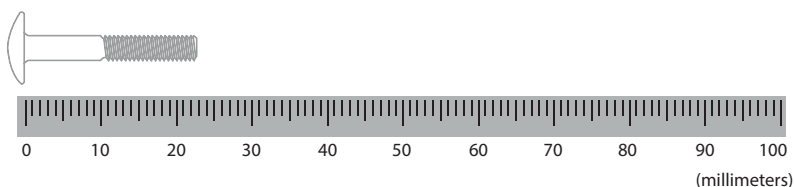
Parts



Tools required



Measure



Safety

THANK YOU FOR CHOOSING OUR PRODUCT. PLEASE TAKE A LITTLE TIME TO READ THE IMPORTANT SAFETY NOTES BELOW. THIS WILL ENSURE MANY YEARS OF HAPPY AND SAFE USE.

WARNING! Do not use the highchair until your child can sit up unaided (6-36 months).

WARNING! Do not leave the child unattended.

WARNING! Ensure your child wears a correctly fitted and adjusted harness at all times.

WARNING! Do not use the highchair unless all components are correctly fitted and adjusted.

WARNING! Be aware of the risk of open fire and other sources of strong heat, such as electric bar fires, gas fires etc. or where a child could gain access to any other kind of hazard, in the vicinity of the highchair.

WARNING! Do not use if any part is broken, torn or missing.

WARNING! Do not move or carry the highchair with your child inside.

- Use only on a level and stable surface.
- Never move or carry the highchair whilst the baby is in it.
- Ensure children are clear of all moving parts before making any adjustments.
- Do not use near stairs or steps.
- When in use, store away from children.
- Designed and manufactured to BS EN 14988:2012.
- Use the highchair on a flat, even and horizontal floor and do not elevate the highchair on any structure or table.
- To reduce the risk of injury, position the highchair away from furniture, walls, hot surfaces and liquids, window covering cords, electrical cords. Position the highchair away from furniture when the chair is not being used at a table with the tray removed.
- The highchair should only be used in an upright position once the child is capable of reliably and consistently sitting upright.
- Do not use the highchair if it is not working correctly, the owner should seek repairs.

WARNING! Follow the manufacturers instructions.

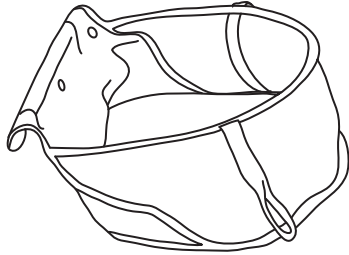
WARNING! Do not leave the child unattended.

WARNING! The harness must always be used and correctly fitted, most injuries from highchairs are caused by falls.

WARNING! Position the highchair away from solid structures and benches to avoid injuries caused by falls and by access to dangerous items.

In use

6. The basket attaches around the front support tube using press studs and to the back of the seat using webbing loops.



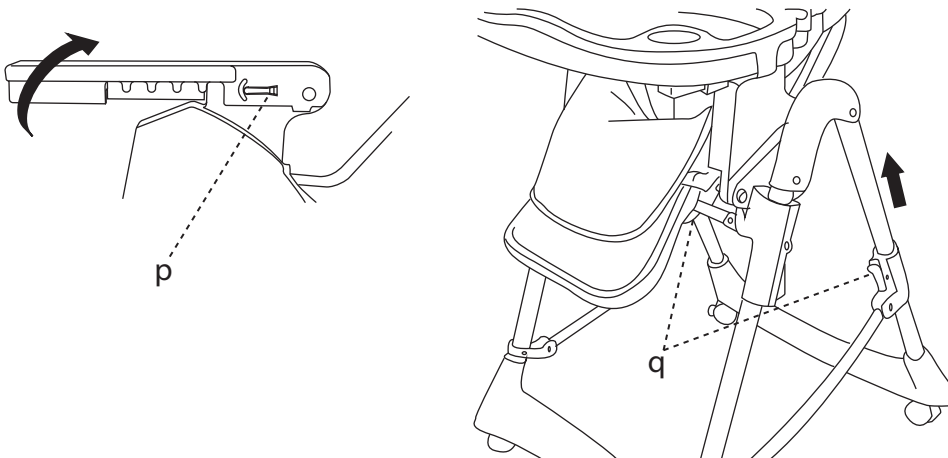
Folding

1. For most compact fold, lower the seat and fold the arms up before folding the highchair.

Fold the arms by pressing the release button 'p' on each arm and lifting.

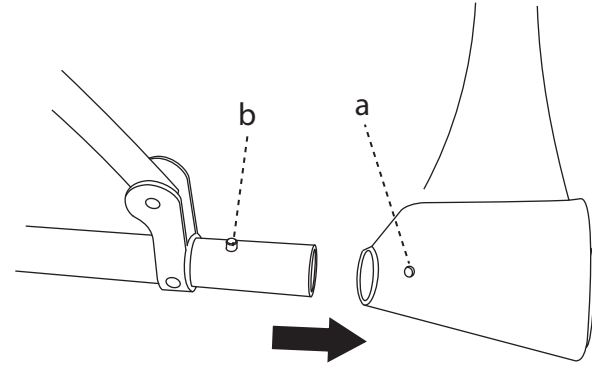
To fold, squeeze both release catches 'q' on the back legs and raise them to pull the front & rear legs together.

Once correctly folded, the highchair can be free standing.



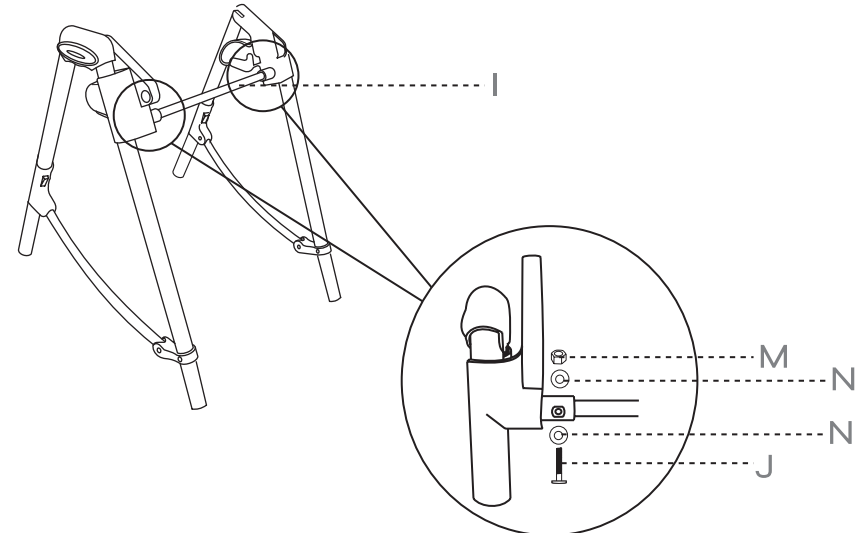
Assembly

1. To attach the foot blocks: Line up holes 'a' with spring pins 'b'. Press the spring pins in, then push the leg end into the foot block. Check that the spring pins appear through the holes.



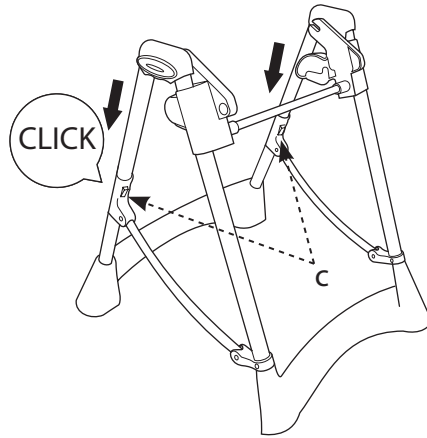
2. To join the side frame legs: Insert the ends of the support tube (l) into both front leg mouldings.

Secure with the bolts, washers and nuts at both ends of the support tube. Tighten with screw driver & spanner.

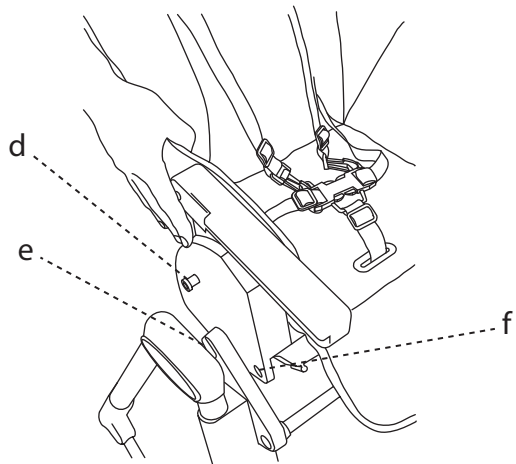


Assembly

3. Open the base fully by squeezing both release catches 'c' on the rear legs and sliding them downwards until they click securely into place. Ensure that the highchair base is correctly locked into position before continuing.

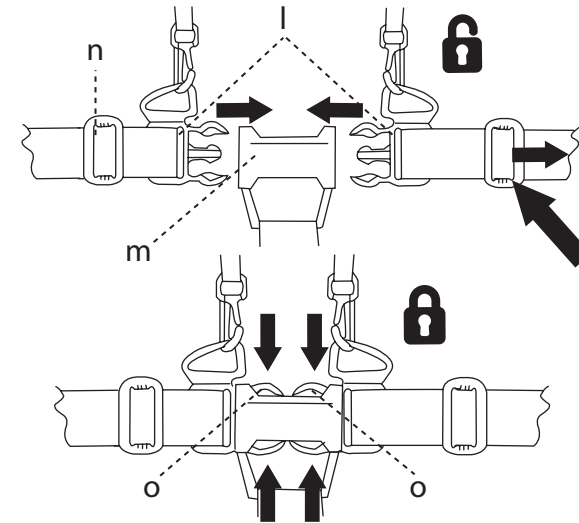


4. Carefully lower the seat onto the base until the studs at the side of the seat 'd' are in the slots 'e' in the height adjuster. Align the holes 'f' at the front of the seat with the corresponding holes in the height adjuster.

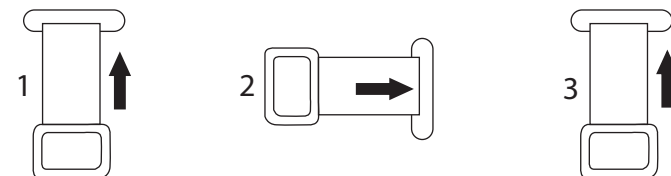


In use

4. A five-point safety harness is provided to restrain your child and should always be worn. To fasten, push the side clips 'l' into the centre buckle 'm'. Sliding adjusters 'n' are fitted and should be adjusted to suit your child. To release, press the side clips at points 'o' and remove from buckle. D rings are fitted at the end of each waist strap should you wish to attach a separate harness.



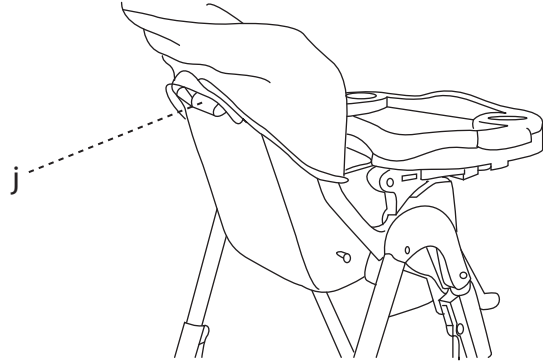
5. Removal (for cleaning) & refitting: To remove the harness, pass the shoulder strap retainers '1' through the horizontal slots in the backrest. Pass the waist strap retainers '2' through the vertical slots on the backrest. Pass the crotch strap retainer '3' through the slot on the seat base. To re-fit the harness, reverse the above process, and check all straps are secure before using the highchair.



In use

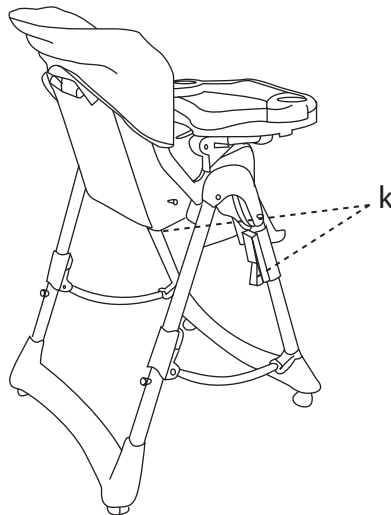
2. To recline the seat, squeeze handle 'j'. Tilt to the required angle and release the handle.

Note. Check the seat is locked securely in position before letting go.



3. To raise or lower the seat, squeeze locks 'k' on both sides of the frame, raise or lower to the preferred position and release the locks.

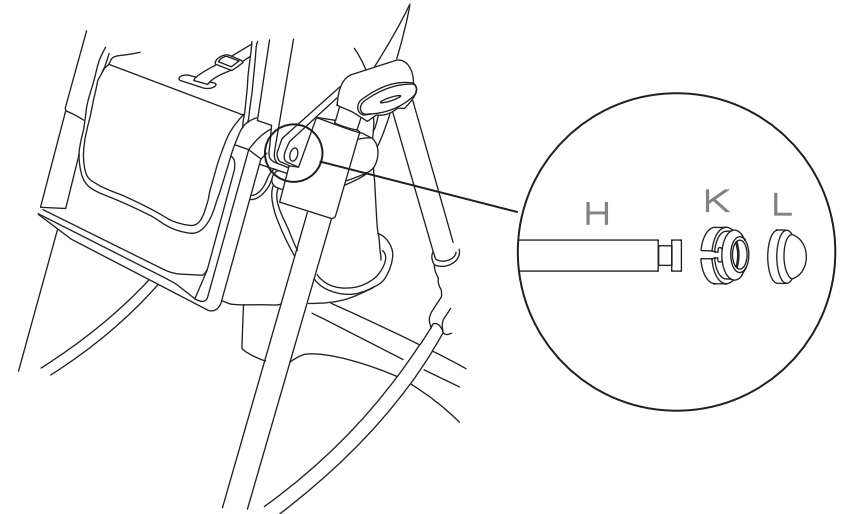
Note. Check the seat is locked securely in position before letting go.
WARNING! Do not adjust the seat height with a child in the seat. Keep children away when adjusting highchair.



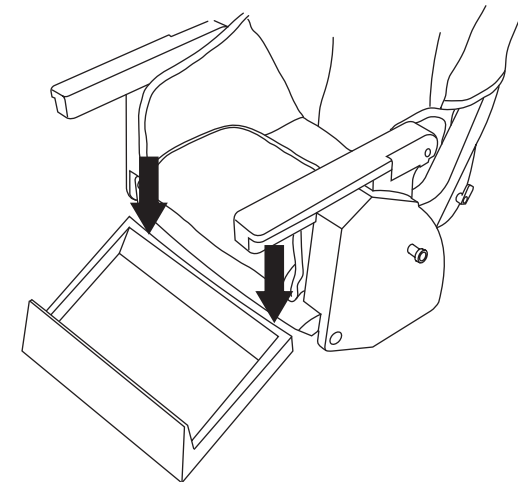
Assembly

5. Secure the end of the seat rod (H) by fitting the retainer (K) over the end of the rod, then pressing the cap (L) firmly onto the retainer.

Note. Once fitted, these parts are not removable.

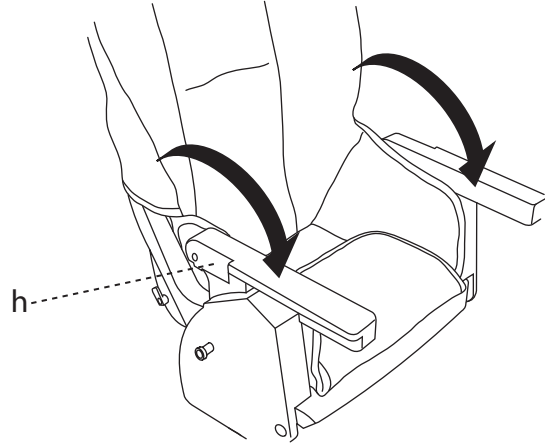


6. Line up the footrest with the grooves in the seat frame and press firmly down to clip into place.

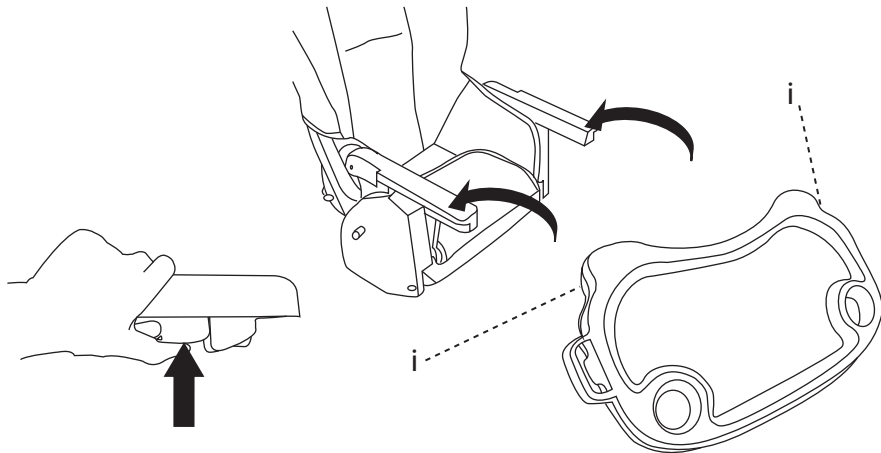


Assembly

7. Lower the tray arms into position until they click into place. The arms can be raised for storage, by pressing in the catch 'h' at the base of the arm, then lifting the arm.



8. Locate the tray levers on the underside of the tray. Squeeze the release levers, line up points 'i' with the arms and slide the tray onto the arms. Squeeze the levers to allow the position to be adjusted or to remove the tray.



In use

1. The tray can be stored on the supports on the back legs of the highchair. Locate the pegs on the underside of the tray into the keyhole shaped slots in the supports. Always remove the tray when folding the highchair for storage.

