

32723



summer
infant®

Please read the following instructions carefully.
Keep this instruction manual for future reference.

No tools required.

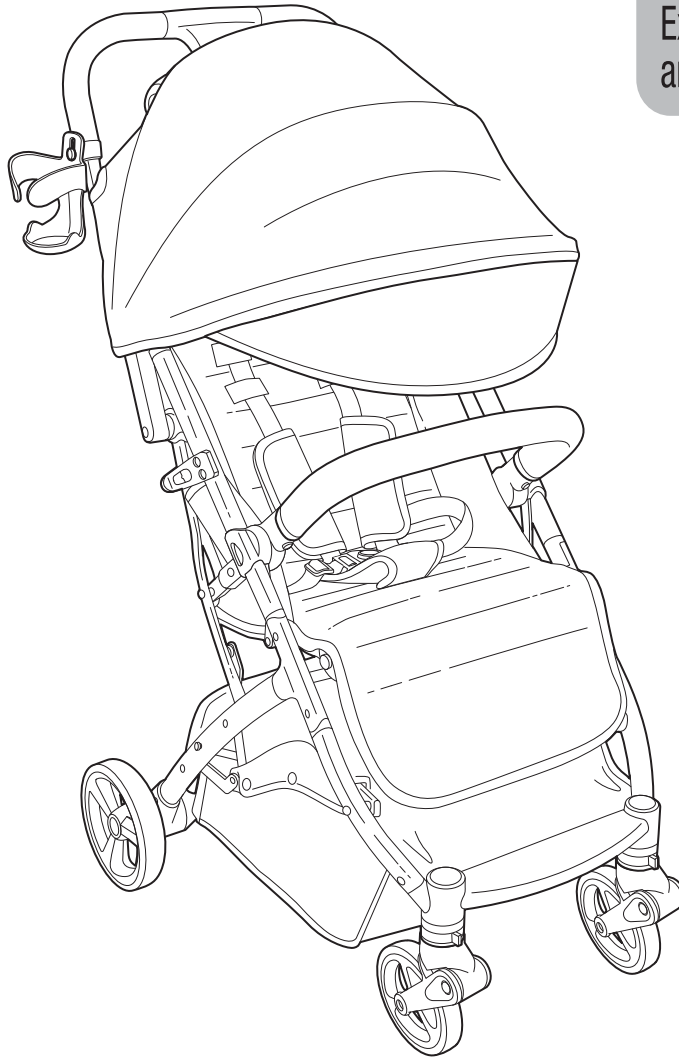
For technical support, contact us at **1-401-671-6551**
or **www.summerinfant.com/contact**

Keep small parts away from children.



WARNING:

Adult assembly required.
Exercise care when unpacking
and assembling product.



3Dpac™ CS+™
compact fold stroller

INSTRUCTION MANUAL

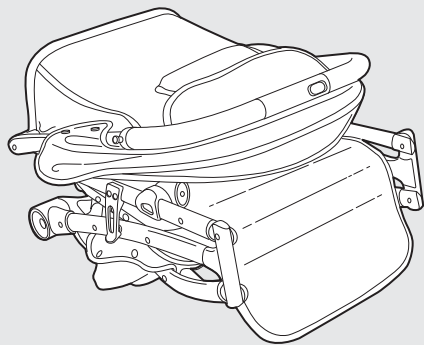
Thank you for purchasing the 3Dpac™ CS+™ compact fold stroller by Summer Infant®. This product was proudly designed in the USA. If you have any trouble using this product, please call our Consumer Relations Team at 1-401-671-6551 before returning to the store. We're here to help! Happy strolling!

! WARNING

Read and follow all warnings and instructions. Failure to do so could result in serious injury or death.

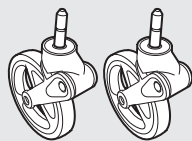
- Maximum weight and height of child: 50 lbs. (22.7 kg), 43 in. (109cm)
- NEVER leave child unattended.
- Avoid serious injury from falling or sliding out. ALWAYS use safety harness.
- When making adjustments to the product ALWAYS ENSURE that all parts of a child's body are clear of any moving parts of the product.
- Care must be taken when folding and unfolding the product to prevent finger entrapment.
- DO NOT carry additional children, goods or accessories in or on this product except as recommended in the manufacturer's instructions.
- TO AVOID INJURY TO YOUR CHILD, DO NOT USE STORAGE BASKET AS A CHILD CARRIER.
- DO NOT hang items on handle bar or place them on the canopy, as they can tip stroller over and injure child.
- DO NOT OVERLOAD STORAGE BASKET. MAXIMUM 25 lbs. (11.3 kg).
- This product may become unstable if a parcel bag, other than the one recommended is used.
- DO NOT overload the storage pocket, cell phone holder and cup holder. MAXIMUM weight for the cell phone and cup holder is 1lb. (0.45 kg). MAXIMUM weight of storage pocket is 1/2 lb. (0.23 kg). Excessive weight may cause stroller to become unstable or tip over.
- DO NOT place hot liquids in the cup holder. Spills can burn your child.
- Do not carry or roll stroller on stairs or escalators with child in it.
- Do not use the stroller if any part is lost or damaged.
- NEVER install Infant Car Seat without fastening it securely to the stroller with provided car seat straps.
- NEVER lift the stroller by infant carrier handle.
- USE ONLY WITH Graco® SnugRide® Click Connect™, Chicco Keyfit® 30, Chicco® Fit2 Infant Car Seats. Other car seats or carriers are not designed to fit this stroller frame and may result in serious injury or death. NEVER use them as they have not been safety tested.
- Car seat must be in rear facing position only.

components:



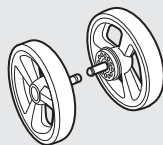
A

A Stroller Frame with Seat



B

B Front Wheels (2)



C

C Rear Wheels (2)



D

D Bumper Bar



E

E Cup Holder



F

F Cell Phone Holder

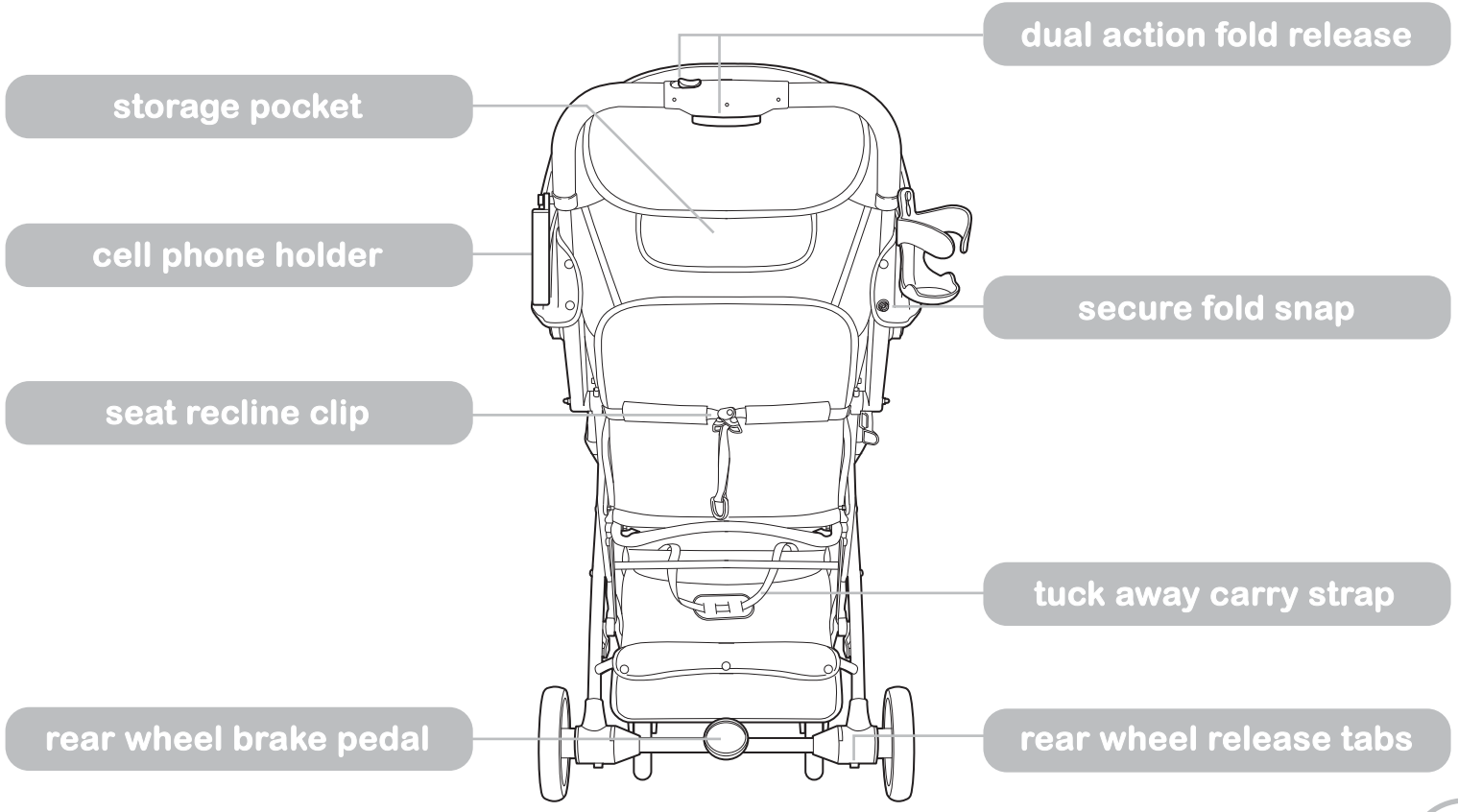
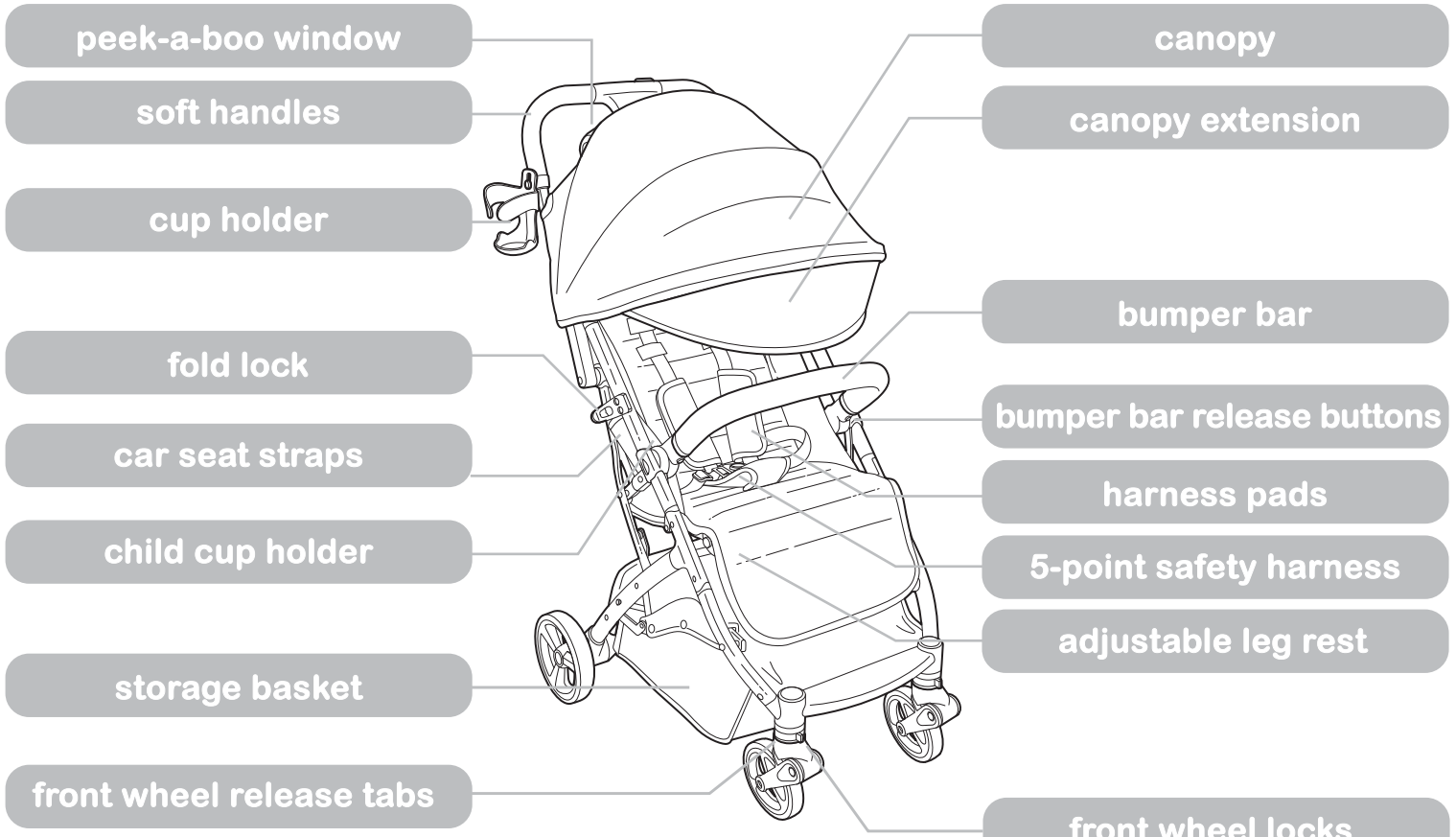


IMPORTANT! Before assembly, inspect this product for damaged hardware, loose joints or missing parts. Never use if any parts are missing or broken.

3D-pac CS+ stroller replacement parts:

front wheels	32723-24	cell phone holder	32453-03
rear wheels	32723-22	bumper bar ash grey	32723-05
cup holder	21790-25	car seat strap set	32453-04

features:

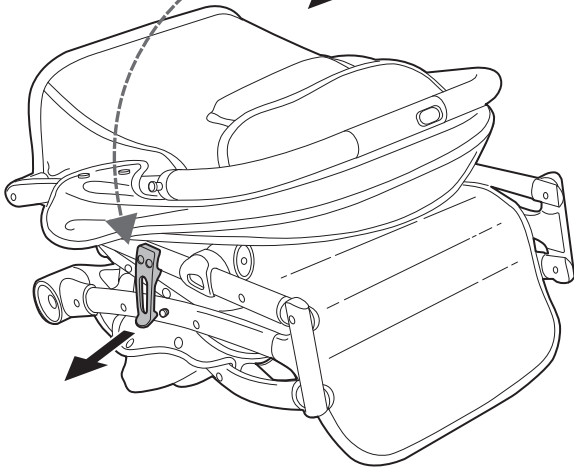
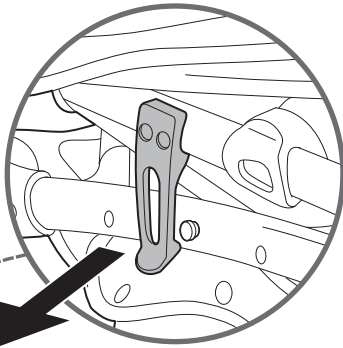


assembly instructions:

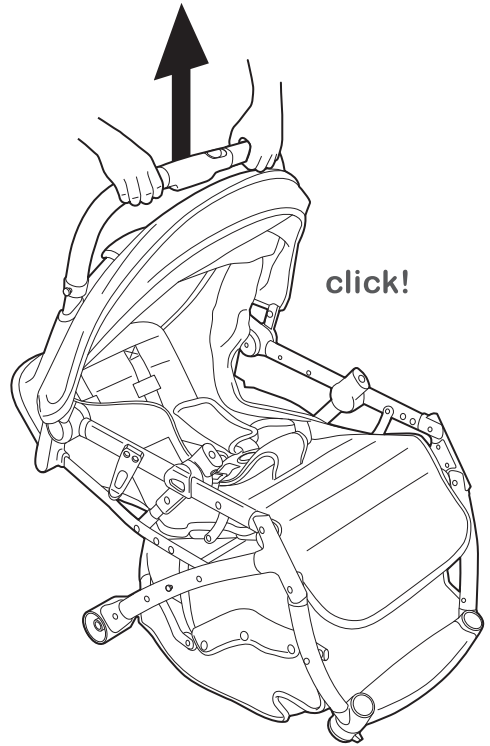
- 1** Lift up fold lock to release.



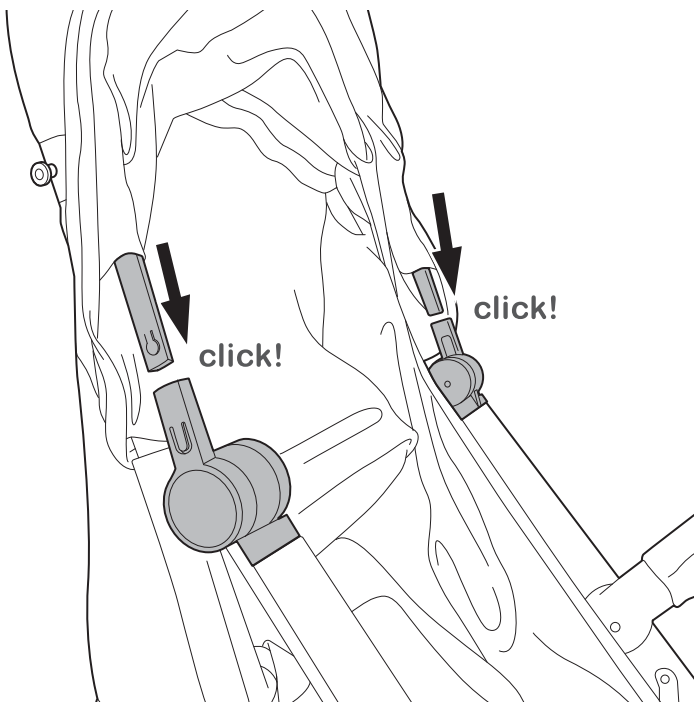
NOTE: When opening the stroller, ensure that your child, or other children, are at a safe distance.



- 2** Quickly pull up stroller by the handle bars until it clicks into fully open position. Stroller will lock into open position. Insert canopy stay into canopy knuckle until it snaps into position.



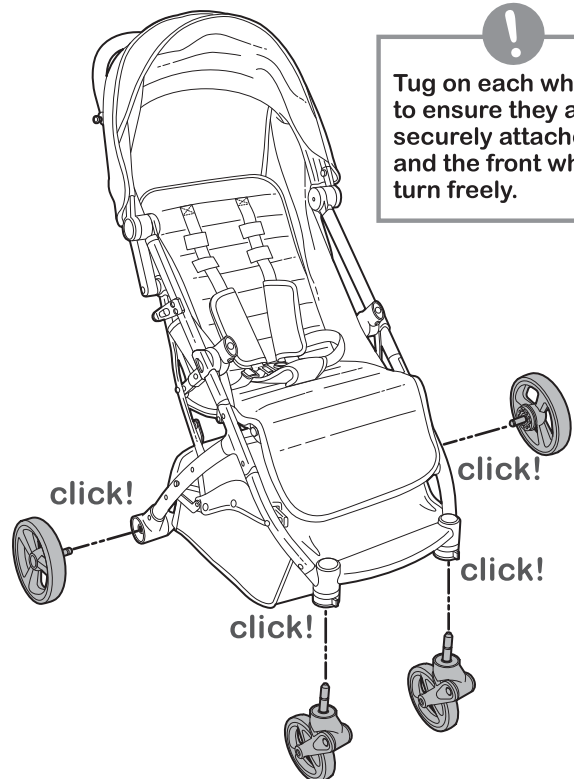
- 3** Insert canopy stays into canopy knuckles until it snaps into position.



- 4** Align front wheels and rear wheels and push into frame.

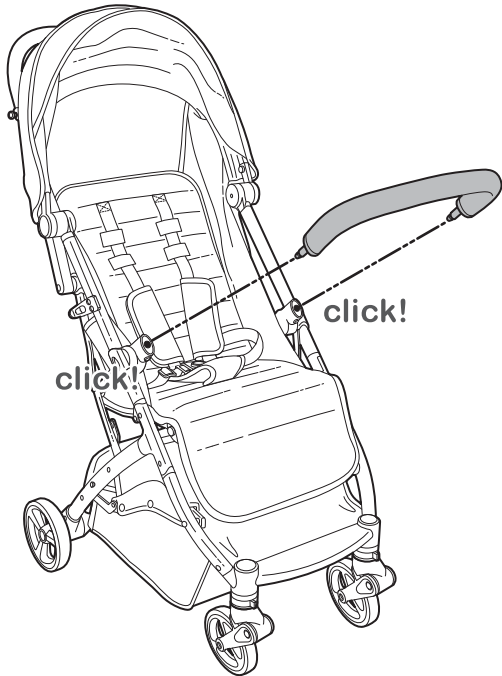


Tug on each wheel to ensure they are securely attached and the front wheels turn freely.

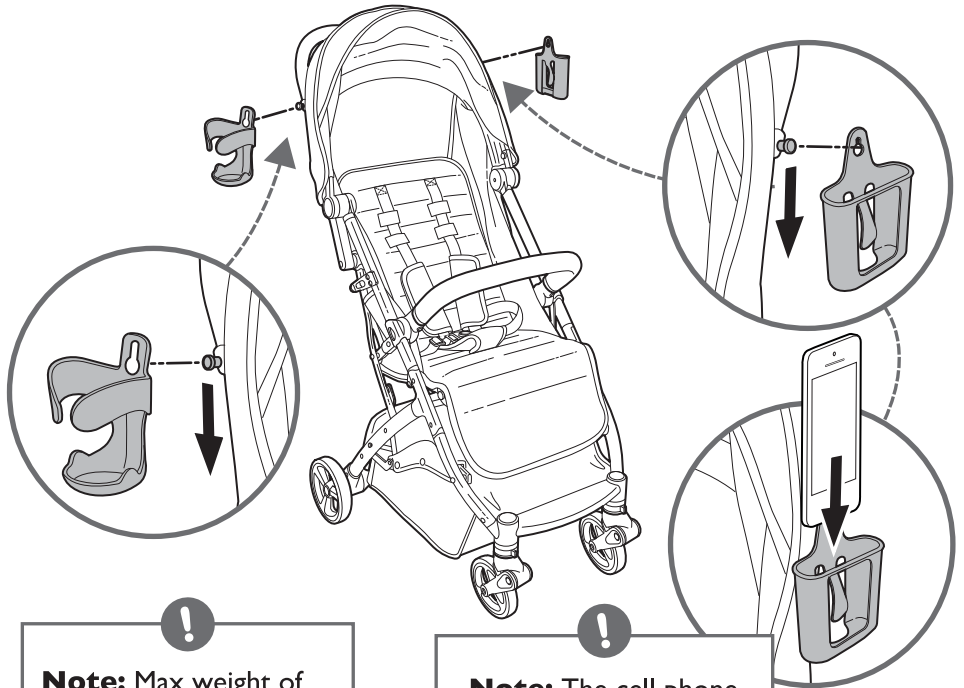


assembly instructions:

- 5 Snap bumper bar into position.



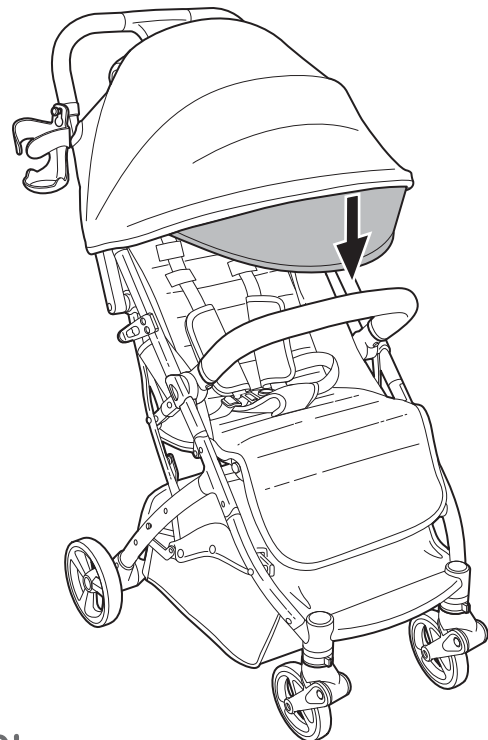
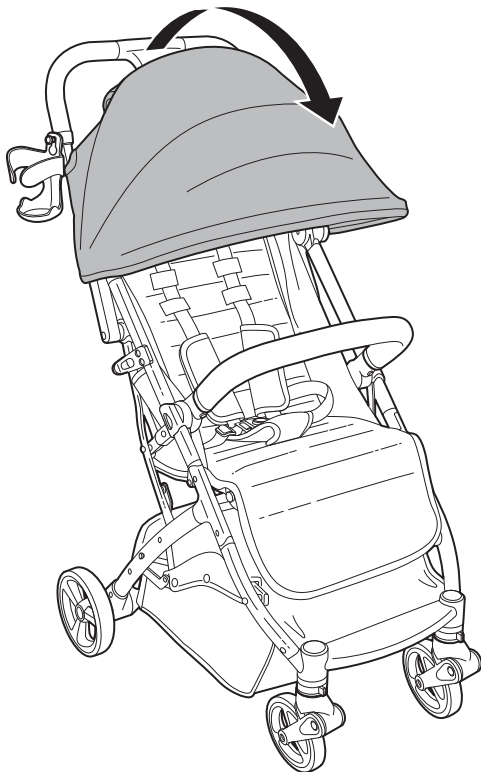
- 6 Line up slot on the back of the cup holder with a mounting post and push down. Line up slot on cell phone holder with a mounting post and push down.



Note: Max weight of cup-holder 1 lb.
Max weight of storage pocket 1/2 lb.

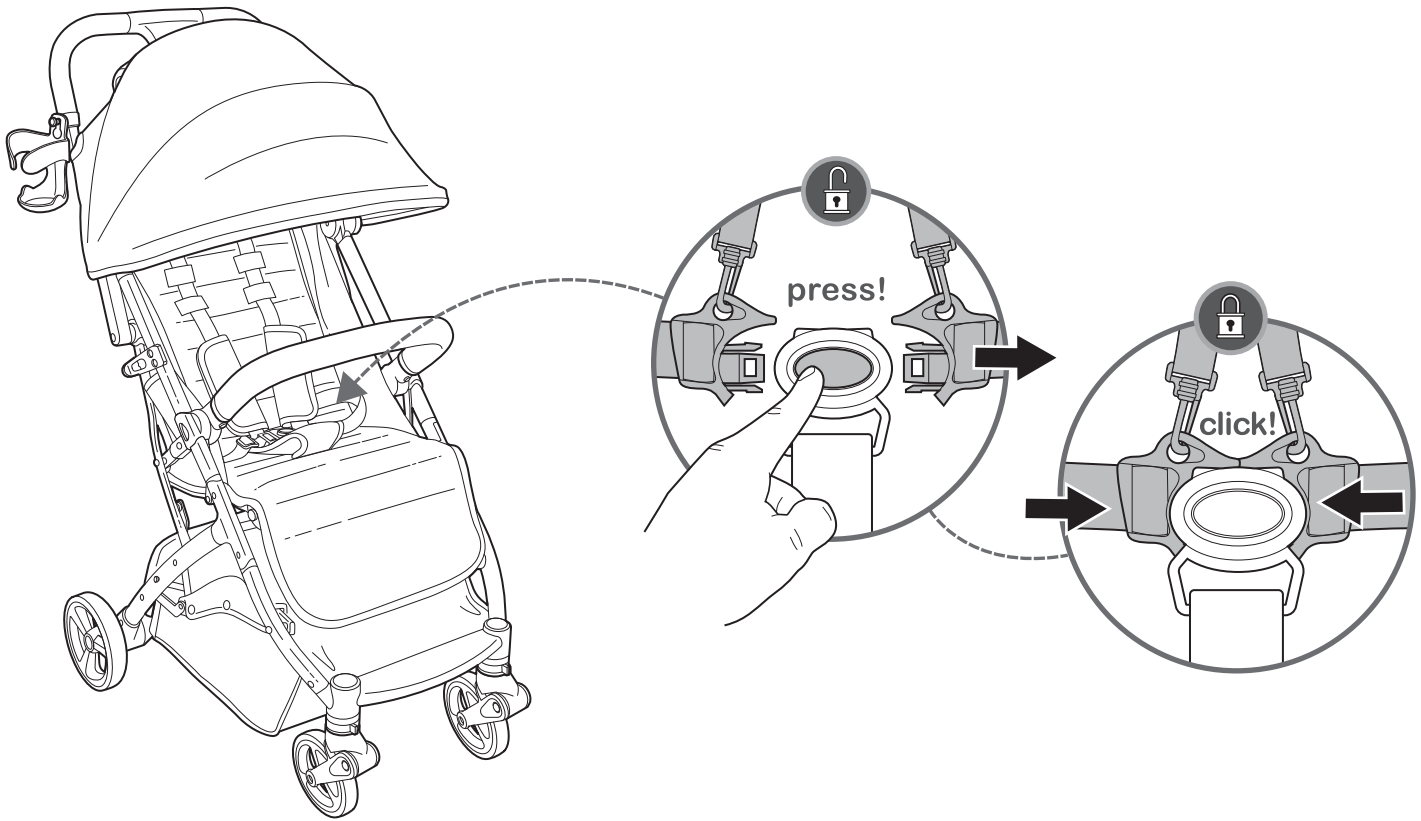
Note: The cell phone and cup holder are interchangeable to either side.

- 7 Extend canopy forward. Optional: Canopy extension is tucked beneath the canopy. Pull it down to extend the canopy.

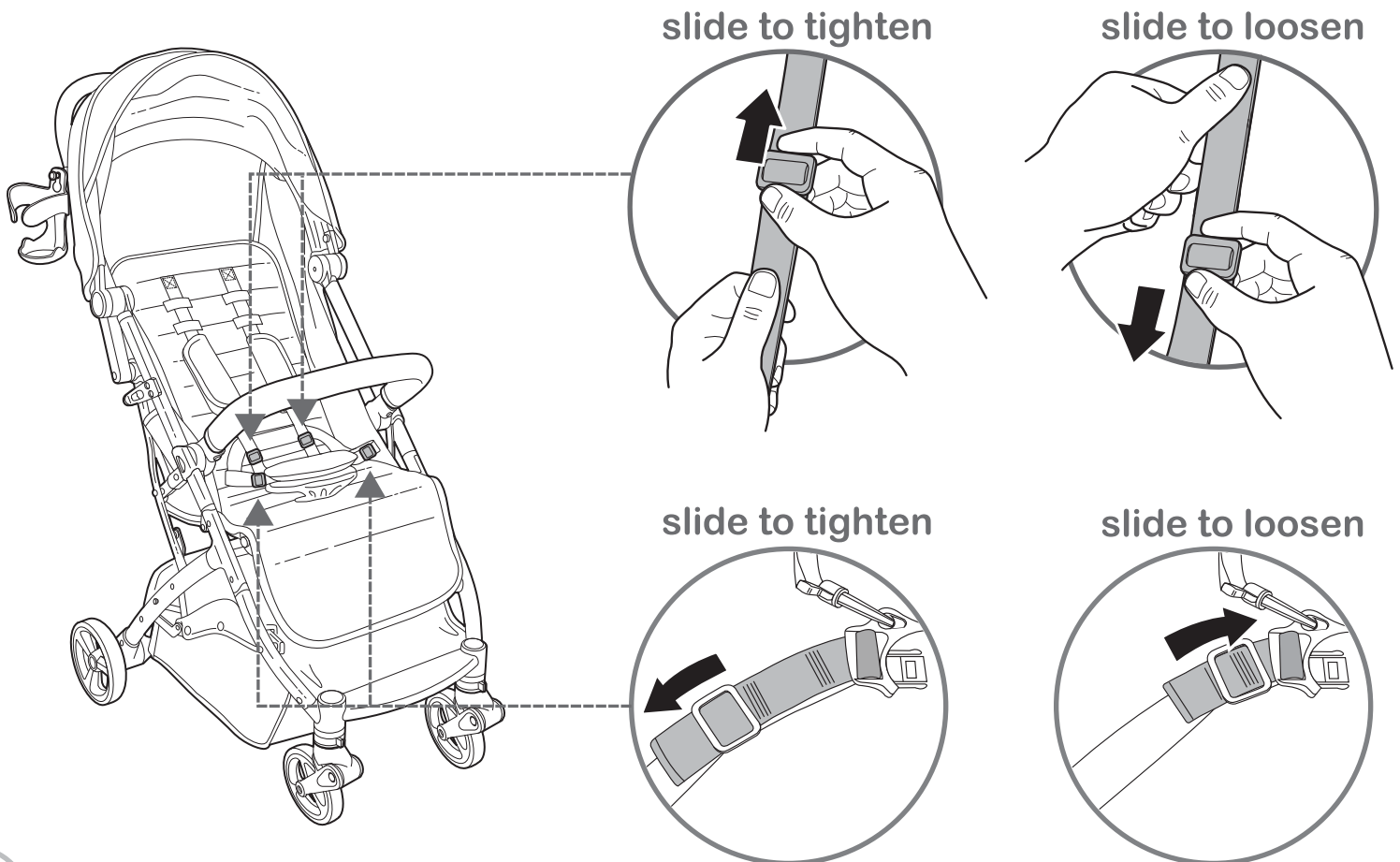


FINISHED!

locking/unlocking 5 point safety harness:

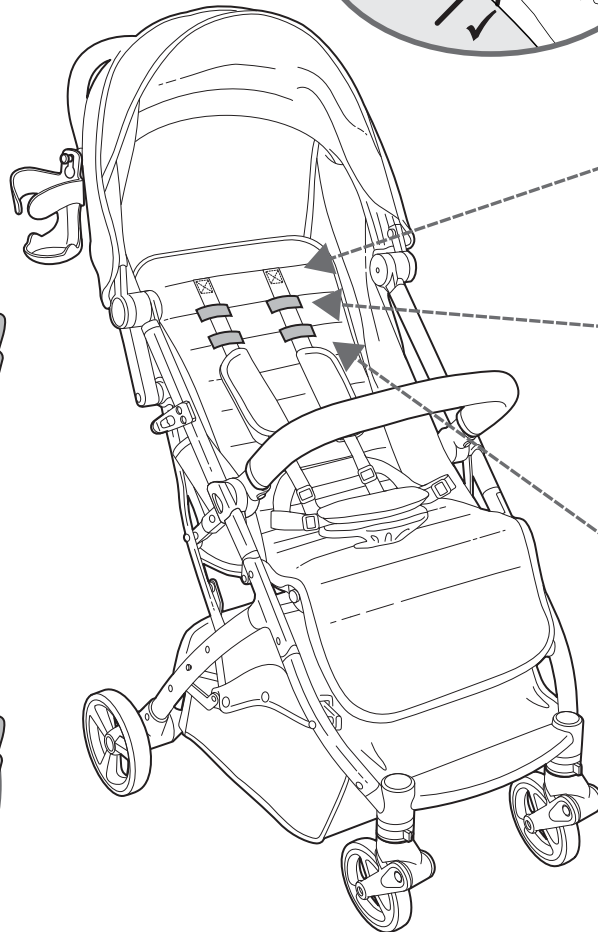
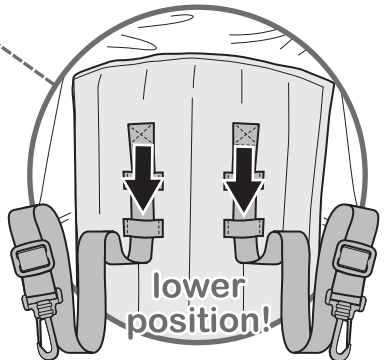
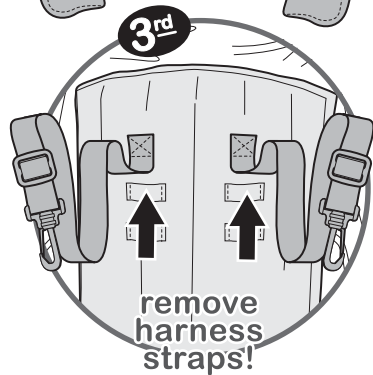
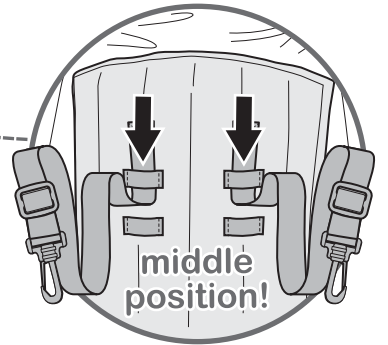
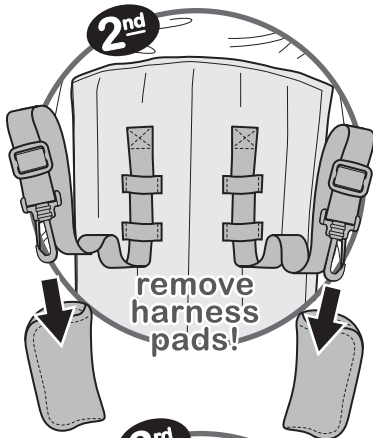
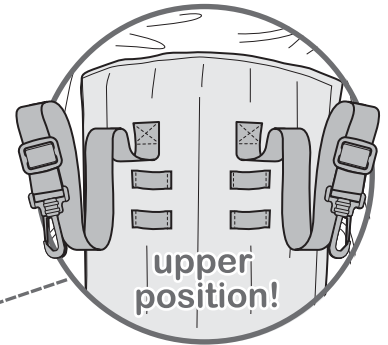
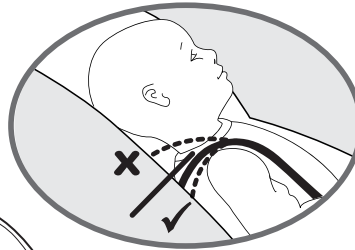
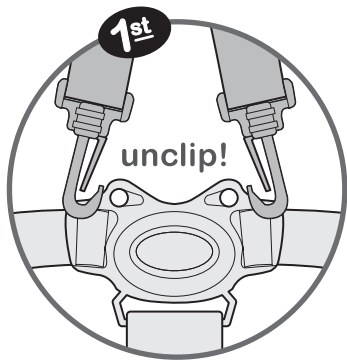


tightening and loosening the 5-point safety harness:

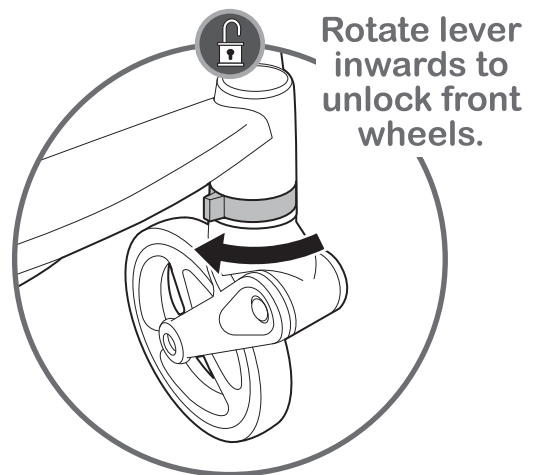
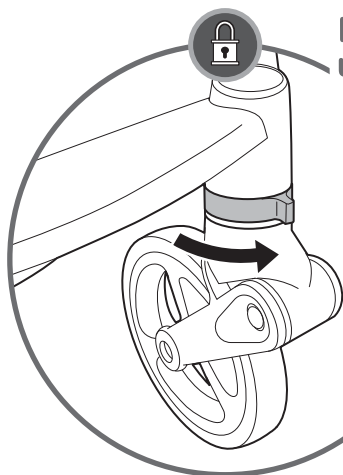


adjusting shoulder harness position:

1st, unclip harness clips. 2nd, remove harness pads. 3rd, slide shoulder harness out of slot. Adjust harness position as shown below and reinstall harness pads.

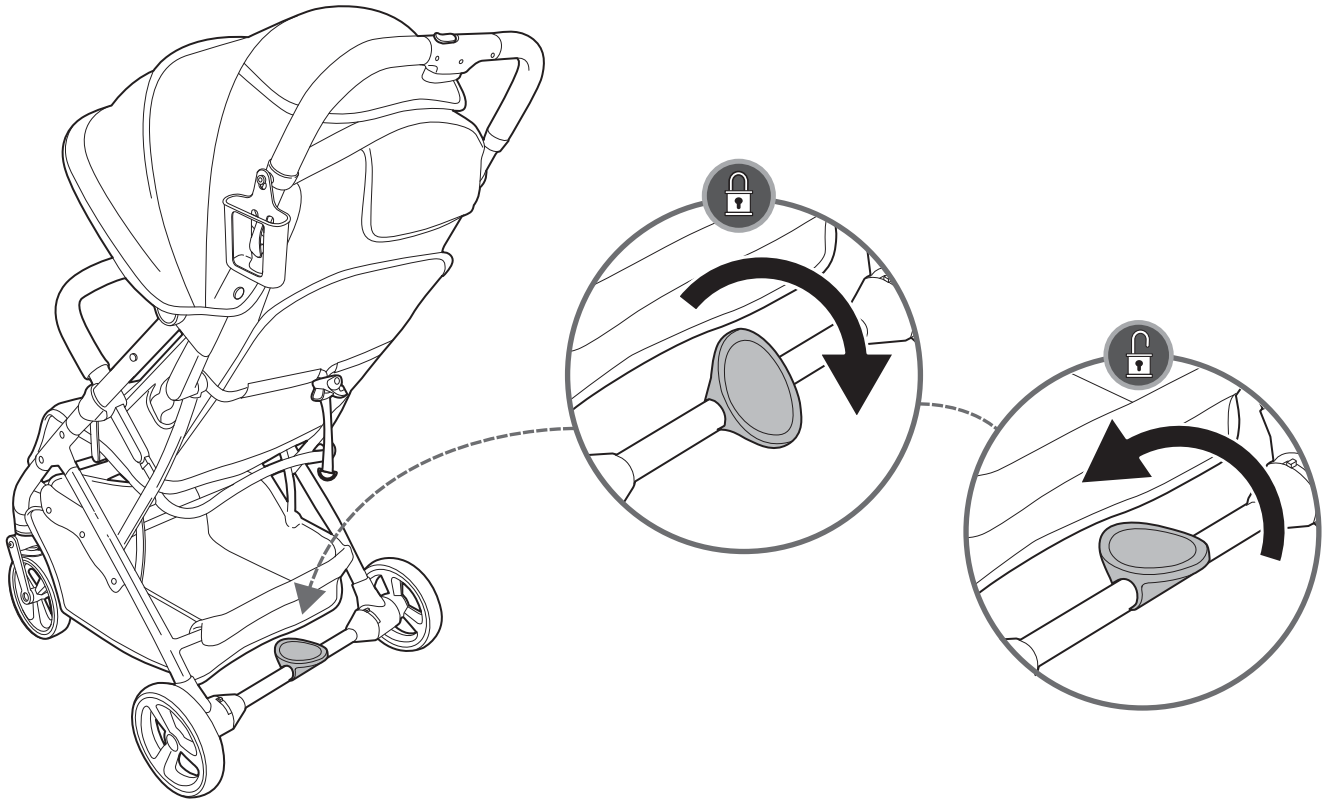


locking & unlocking the front wheels:



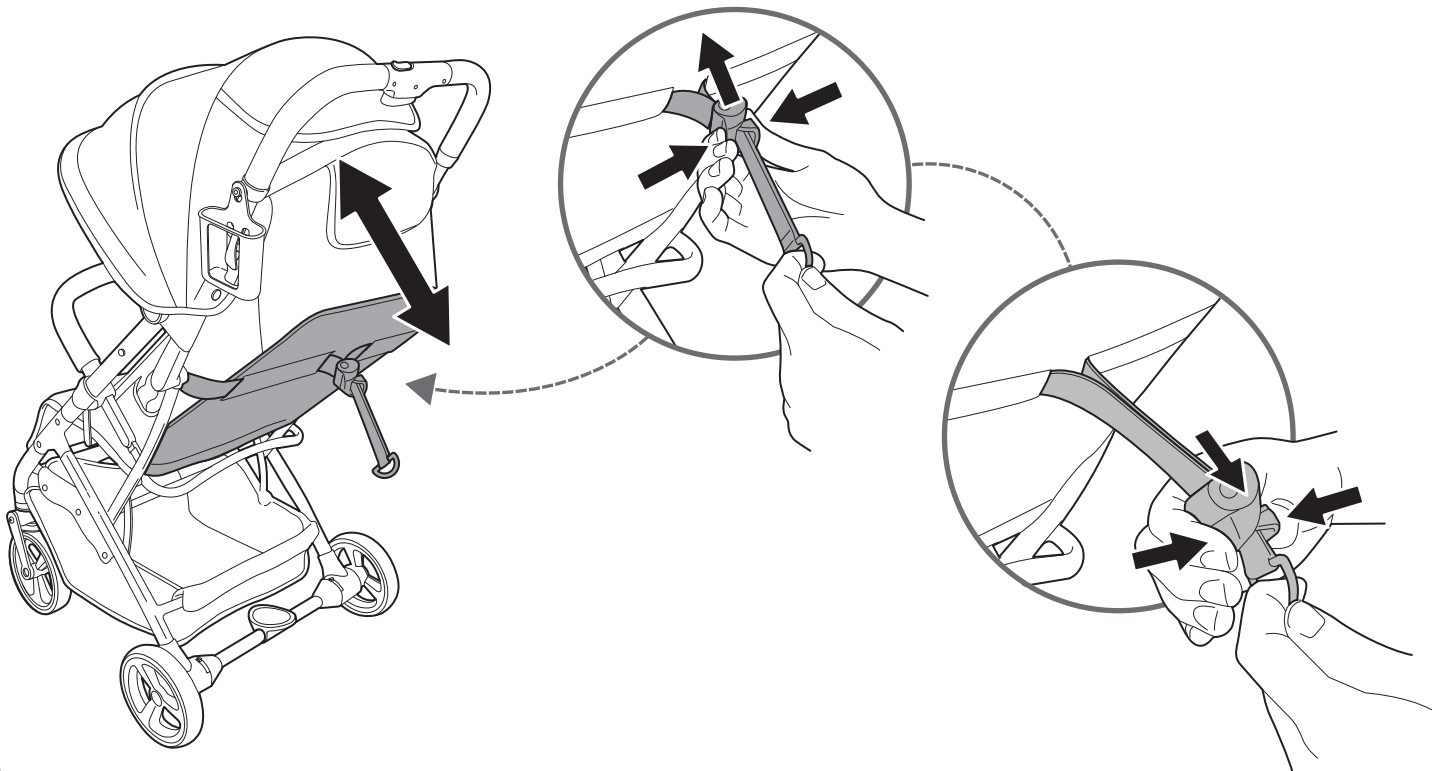
rear brake:

Press the foot pedal down to lock both rear wheels. Press the foot pedal forward to unlock the rear wheels.



adjusting the seat recline:

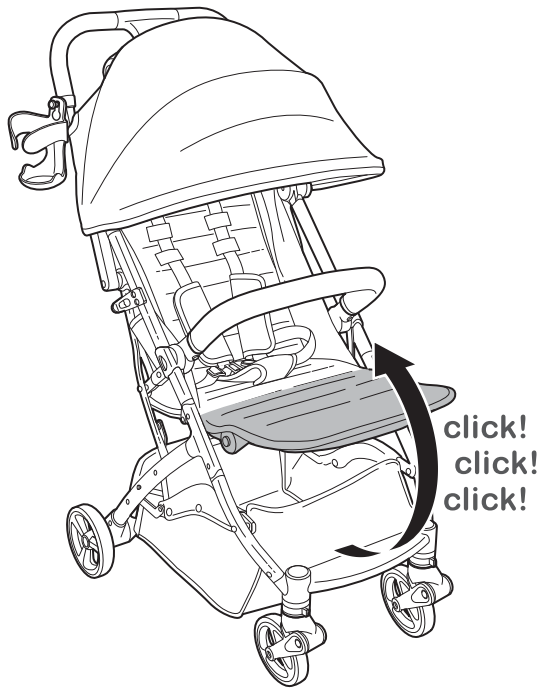
Pinch seat recline clip on back of stroller and slide recline clip along webbing to adjust the seat recline.



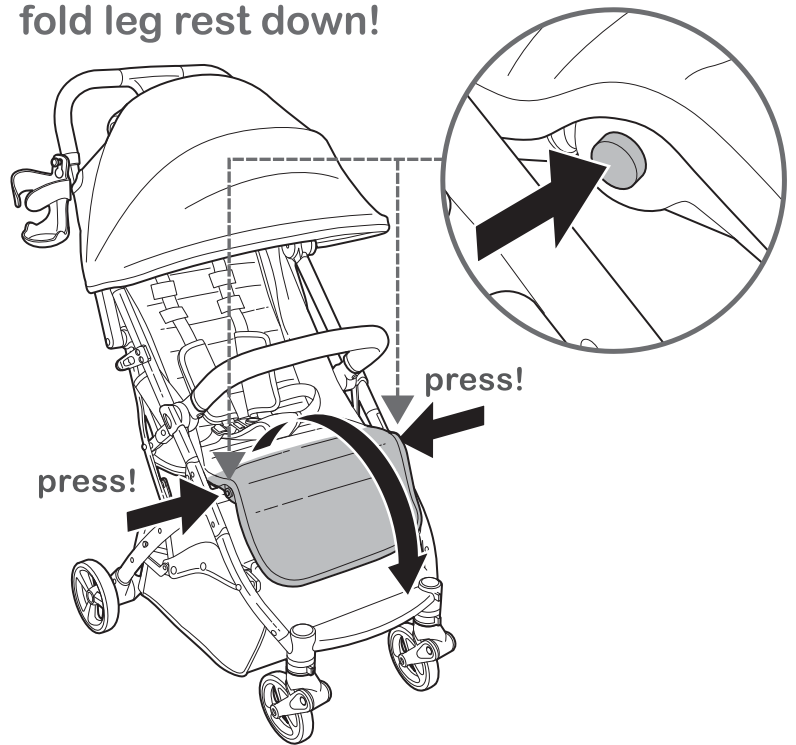
adjusting the leg rest:

Raise leg rest up until it locks into desired position. Press the buttons on the side of the leg rest and rotate leg rest down to lower positions.

raise leg rest up!

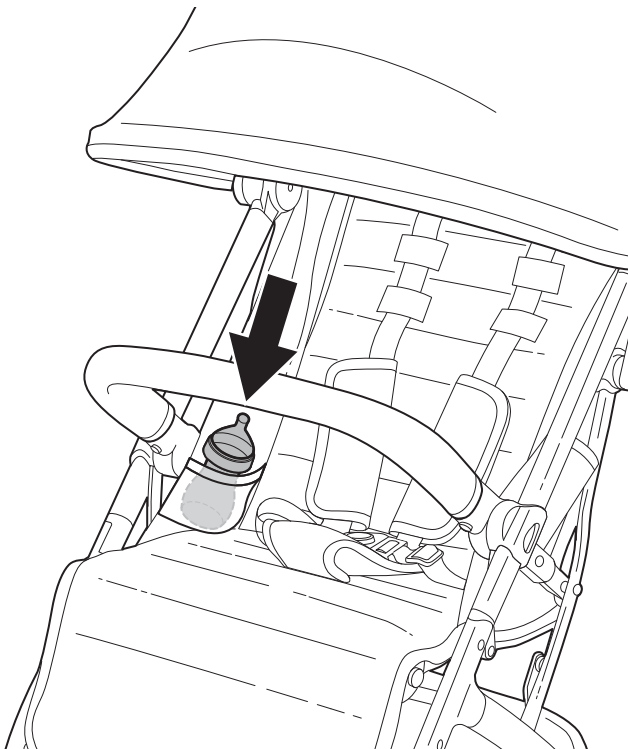


fold leg rest down!



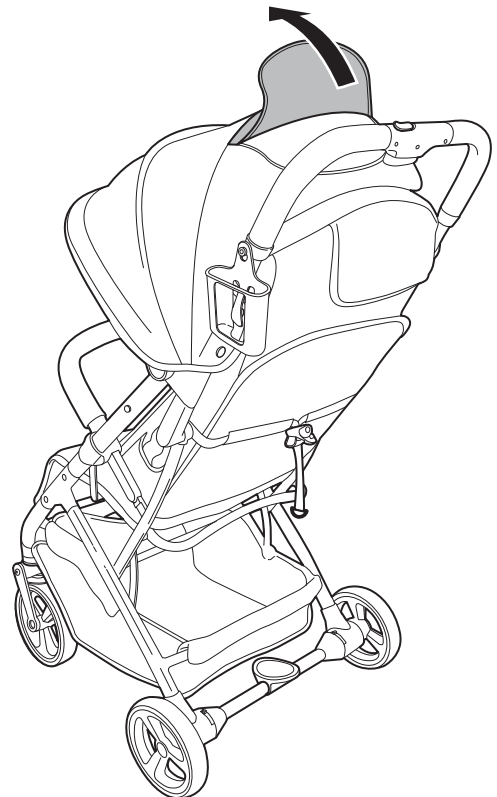
child bottle/cup holder:

Slide baby bottle or sippy cup into side holder.



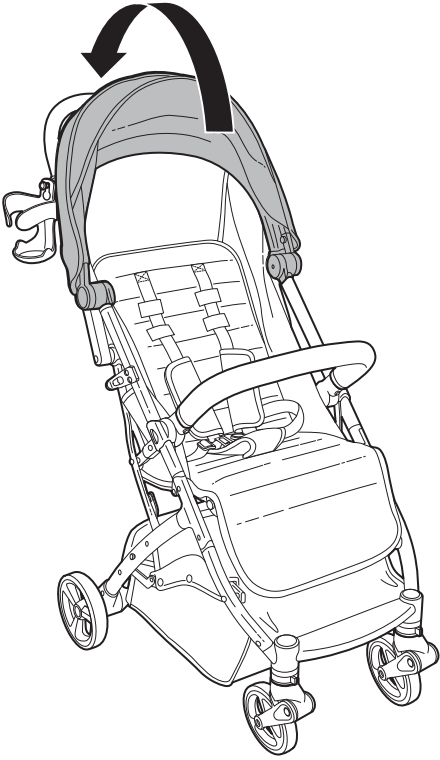
peek-a-boo window:

Flip up peek-a-boo window on top of the canopy.

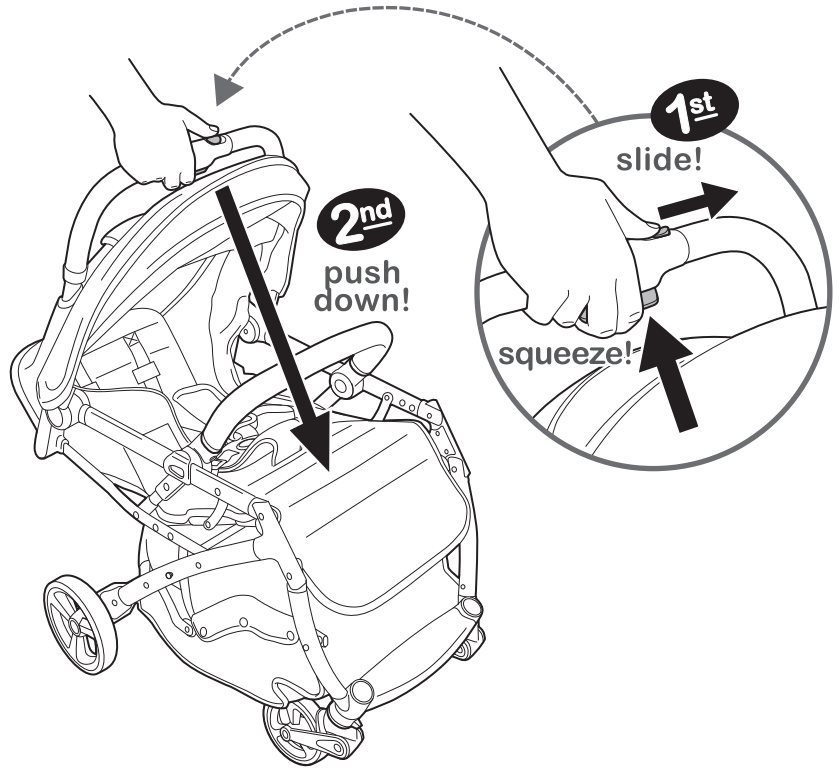


folding the stroller:

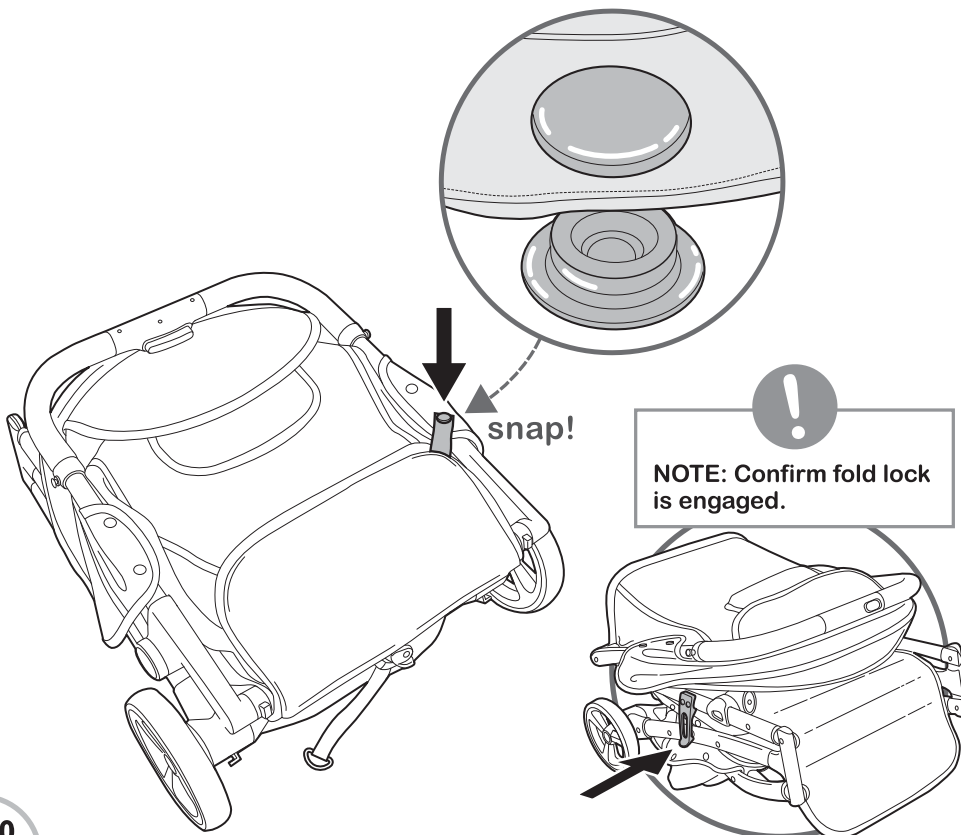
- 1 Flip canopy extension in storage position prior to folding the canopy.



- 2 First, slide the upper handle button then squeeze the lower handle release button. Lastly, push stroller handle down and forward.



- 3 Snap the secure fold snap once stroller is folded.



- 4 Carry strap is stored in the pocket underneath the leg rest.

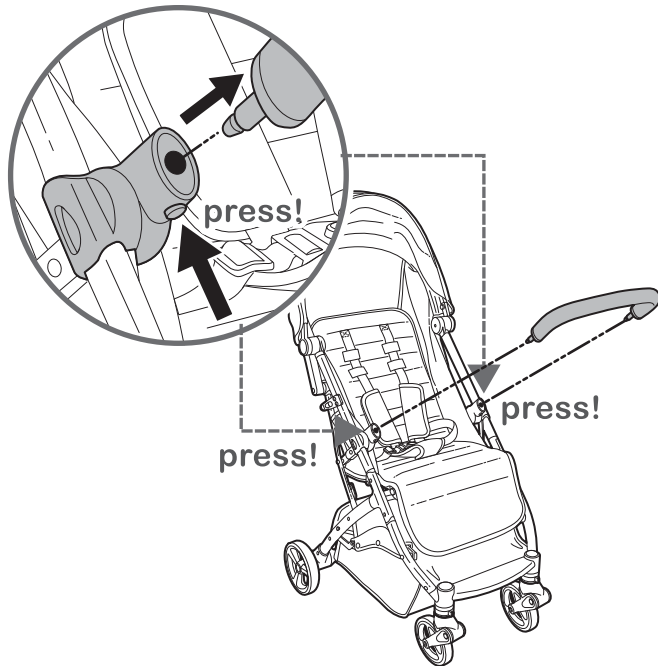


WARNING:

STRANGULATION HAZARD: Children have strangled when straps have wrapped around their neck. Keep this stroller carrier strap out of children's reach. When not in use, tuck strap into storage pocket beneath seat.

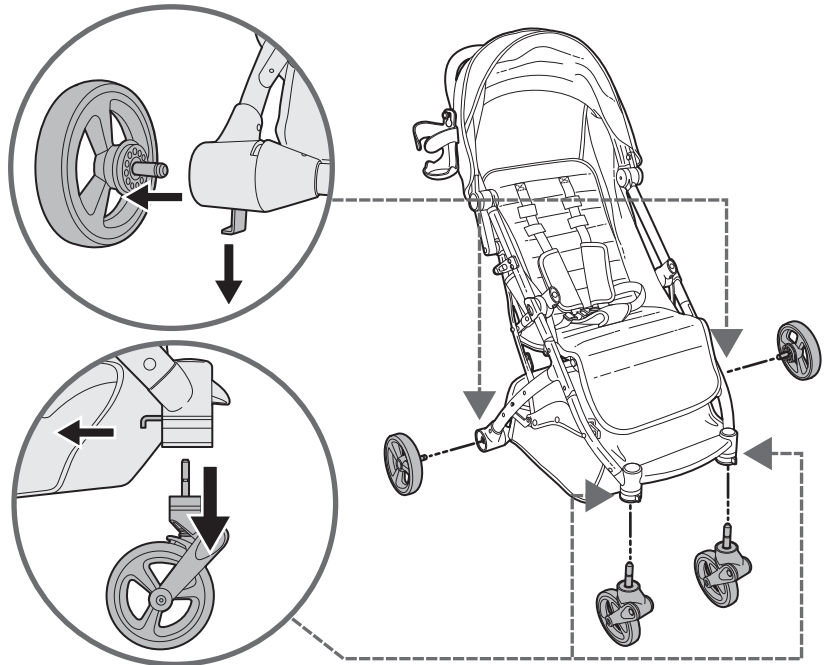
removing the bumper bar:

Press the buttons beneath the bumper bar knuckles to remove.



removing the wheels:

Each wheel has a release tab. Pull the release tabs out to remove wheels from frame.



attaching a car seat:

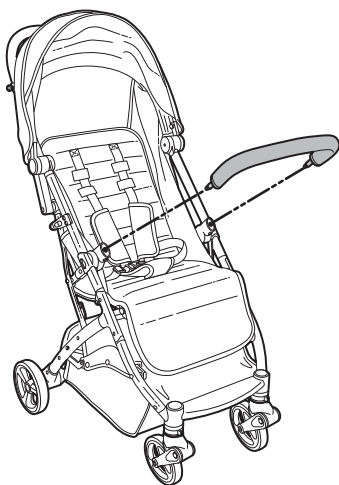
Use this section to attach car seat models:

Graco® SnugRide® Click Connect™, Chicco Keyfit® 30, Chicco® Fit2

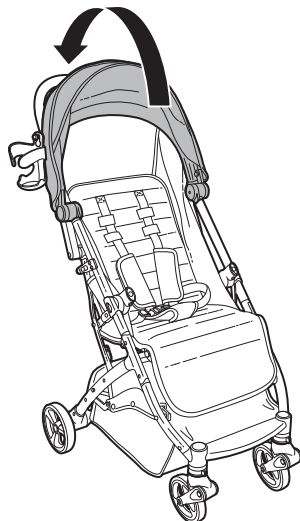
WARNING: IMPORTANT! KEEP FOR FUTURE REFERENCE!

- NEVER install Infant Car Seat without fastening it securely to the stroller with the provided car seat straps. Car seat must be in rear facing position only.
- NEVER lift the stroller by infant carrier handle.
- Use only with Graco® SnugRide® Click Connect™, Chicco Keyfit® 30, Chicco® Fit2. Other car seats or carriers are not designed to fit this stroller frame and may result in serious injury or death. NEVER use them as they have not been safety tested.

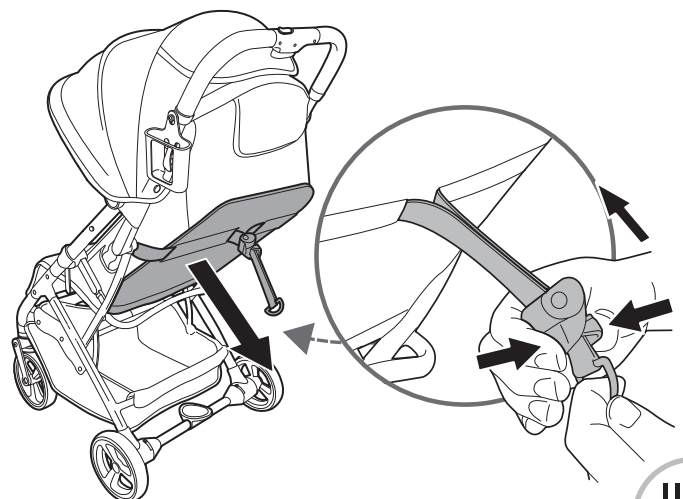
1 Remove bumper bar



2 Fold canopy back.

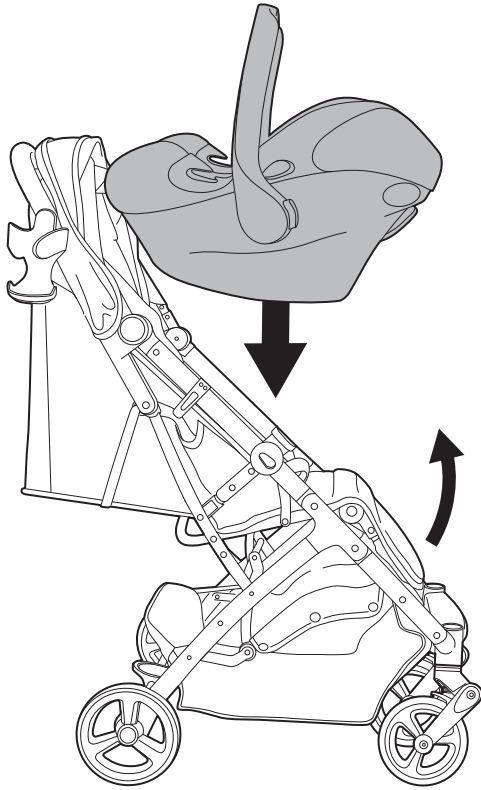


3 Make sure seat is fully reclined.



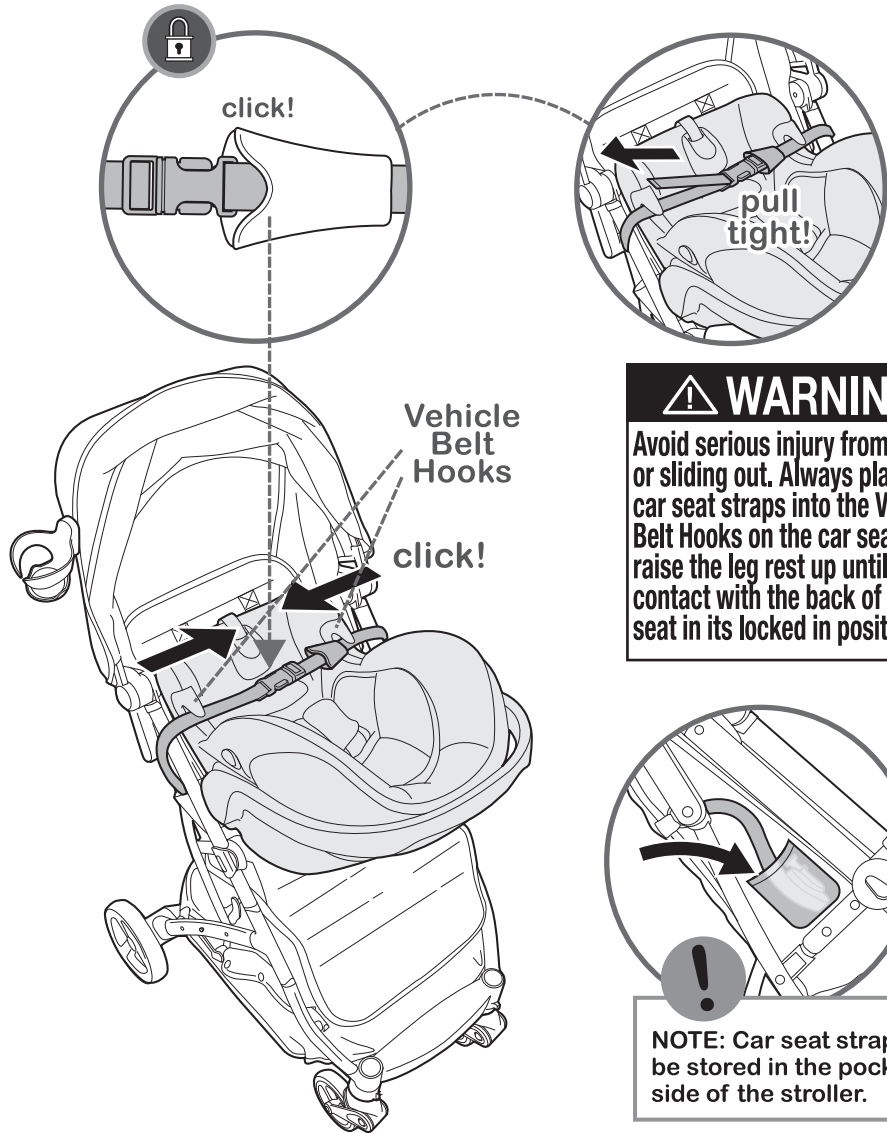
attaching a car seat (continued):

- 4** Place the car seat into stroller in the rear facing position so that it is in full contact with both the stroller seating surface and seat back. Rotate the leg rest up until it firmly contacts the back of the car seat.



NOTE: check car seat for secure fit in stroller.

- 5** Place the two car seat straps, attached to the stroller rails, into the Vehicle Belt Hooks and across the car seat and lock the buckle. Slide the padded buckle guard over the buckle. Slide the padded buckle guard over the buckle.



⚠ WARNING:

Avoid serious injury from falling or sliding out. Always place the car seat straps into the Vehicle Belt Hooks on the car seat and raise the leg rest up until it is in contact with the back of the car seat in its locked in position.

NOTE: Car seat straps can be stored in the pockets on side of the stroller.

Summer Infant stands behind all of its products. If you are not completely satisfied or have any questions, please contact our Consumer Relations Team at **1-401-671-6551** or **www.summerinfant.com/contact**



Join the conversation!

Learn more at summerinfant.com and connect with us on social media @summerinfant

Summer Infant (USA), Inc.

1275 Park East Drive
Woonsocket, RI 02895 USA
1-401-671-6551
© 2017 Summer Infant, Inc.

Please retain information
for future reference.
Colors and styles may vary.
MADE IN CHINA.