

Edinburgh

CLASSIC CO-SLEEPER

Instruction Manual



4016933

IMPORTANT!
READ CAREFULLY AND KEEP FOR FUTURE REFERENCE

WARNING

Failure to follow these warnings and the instruction could result in serious injury or death.

- Read all instruction before assembling and using the product.
- **FALL HAZARD**-To help prevent falls, do not use this product when the infant begins to push up on hands and knees or has reached manufacturer's recommended maximum weight of 19.8lbs(9KG), whichever comes first.

SUFFOCATION HAZARD

Infants have suffocated:

- In gaps between extra padding and side of the bassinet/ cradle, and
- On soft bedding

Use only the pad provided by manufacturer. NEVER add a pillow, comforter, or another mattress for padding.

- To reduce the risk of SIDS, pediatricians recommend healthy infants be placed on their backs to sleep, unless otherwise advised by your physician.
- **FALL HAZARD**—Always check that the bassinet is securely locked on the base/stand by pulling upwards on the bassinet bed.
- If a sheet is used with the pad, use only the one provided by the bassinet or cradle manufacturer or one specifically designed to fit the dimension of the bassinet or cradle mattress.
- Strings can cause strangulation Do not place items with a string around a child's neck, such as hood strings or pacifier cords. Do not suspend strings over a bassinet or cradle or attach strings to toys

WARNING

- Keep instructions for future use.

WARNING

Entrapment Hazard - To prevent death from entrapment, beside sleeper must be properly secured to adult bed using the attachment system.

- (1) There must be no more than $\frac{1}{2}$ in.(13mm)gap between beside sleeper and adult bed.
- (2) Check tightness before each use by pulling beside sleeper in a direction away from adult bed.
- (3) If gap exceeds $\frac{1}{2}$ in.(13mm). DO NOT use product. Do not fill the gap with pillows, blankets or other items that are suffocation hazards.

WARNING

Always use ALL required parts for each use mode. Check instruction manual for a list of required parts. Periodically check product for loose,damaged, or missing parts.

WARNING

- Always read and follow assembly instruction for each product use mode (bedside sleeper, bassinet).

WARNING

- To avoid death from the infant's neck being caught on the top rail on the side that is next to the adult bed, the top rail must be

no higher than the adult bed mattress.

WARNING

- Assemble product according to manufacturer's instructions for ANY use mode bedside sleeper as well as the bassinet modes.

WARNING

- A bedside sleeper is designed to provide a sleeping area for an infant until he or she begins to push up on hands and knees or approximately 5 months of age. Move your child to another sleeping product when your child reaches this stage.

WARNING

- The attachment system must always be used in bedside sleeper mode.
- Only the bedside bed mode can put down the side bezel.

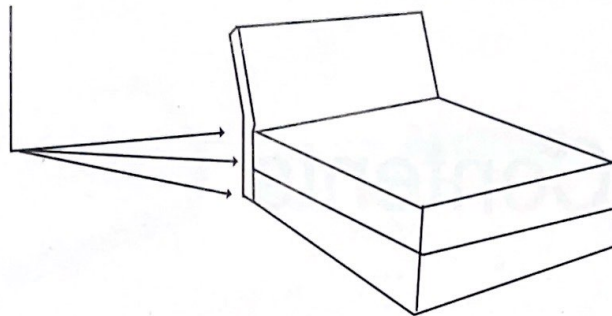
WARNING

- This bedside sleeper is designed for use only with adult beds that are between 21.5 and 26.5 inches (546mm to 673mm) from floor to top of adult mattress.

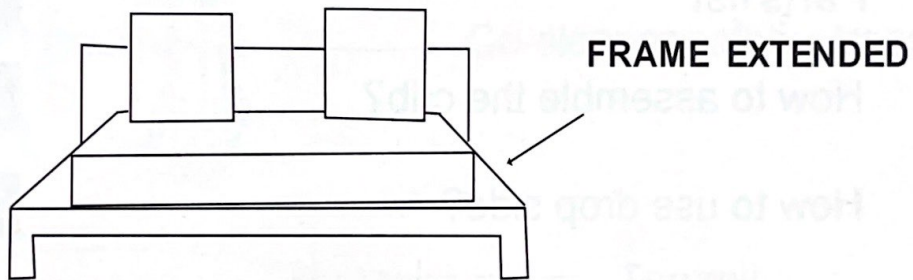
WARNING

- DO NOT use bedside sleeper if any parts are missing, damaged, or broken. Contact Baby Factory for replacement parts and instruction literature if needed. DO NOT substitute parts.

- The types of adult beds (Below Fig.) with which the bed side sleeper CAN OR CANNOT be used.



ACCEPTABLE BED FRAME IN-LINE



**UNACCEPTABLE BED
MATTRESS, BOXSPRING & FRAME NOT IN-LINE**

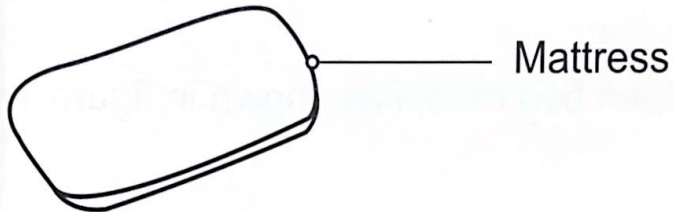
- The bedside sleeper can be used for aligned adult bed only. Meanwhile the distance from the lowest bottom side of the aligned adult bed (the drop side) to the ground should be more than 20cm.

■ Contents

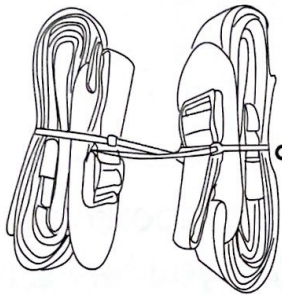
Contents

Parts list	1
How to assemble the crib?	2-3
How to use drop side?	4
How to use bedside sleeper?	5
How to adjust the height?	6
How to take off the bassinet cover?	7
How to fold the baby crib?	8

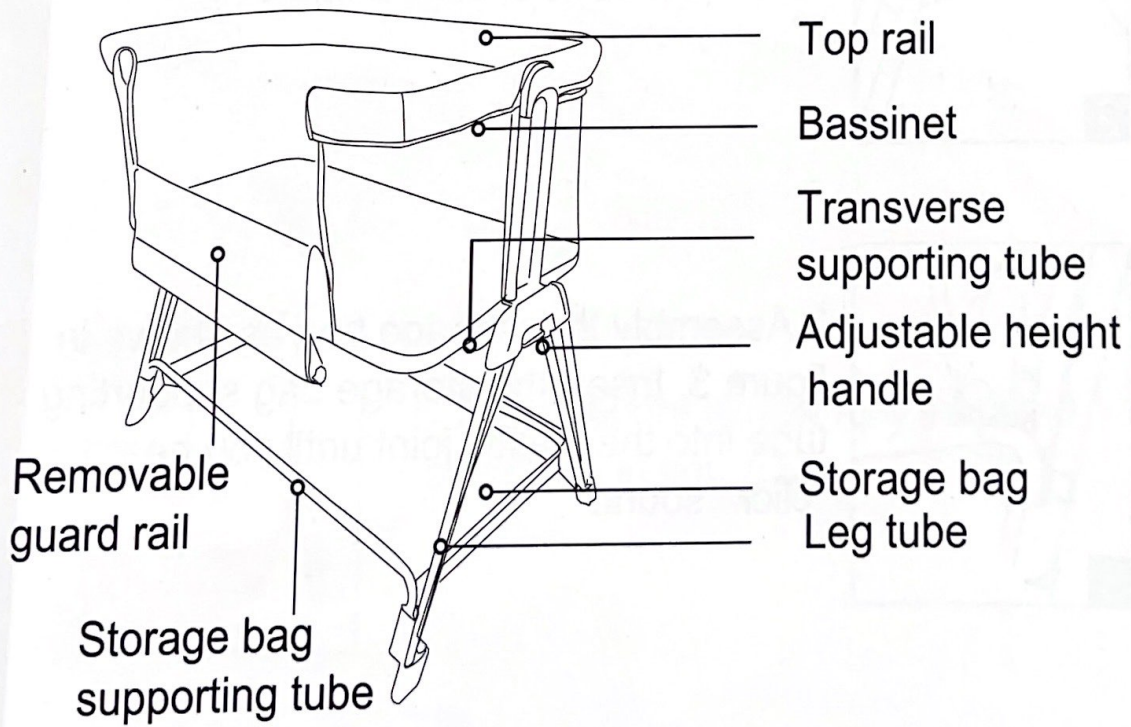
Parts list



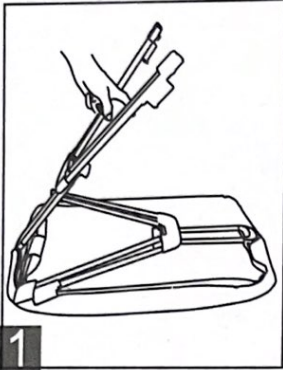
Mattress



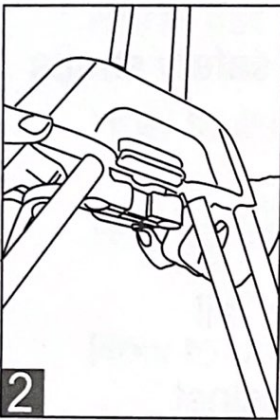
Co-sleeper safety straps



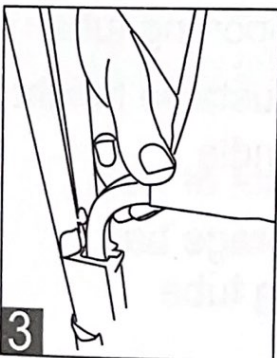
How to assembly the crib?



1. Open bed cradle as shown in figure 1.

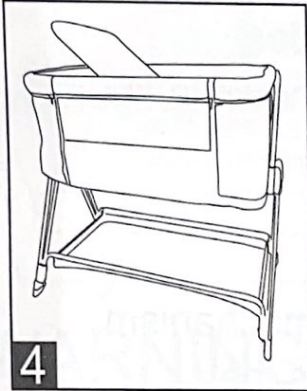


2. Insert the transverse supporting tube into the plastic joint until you heard a "click" sound as shown in figure 2.

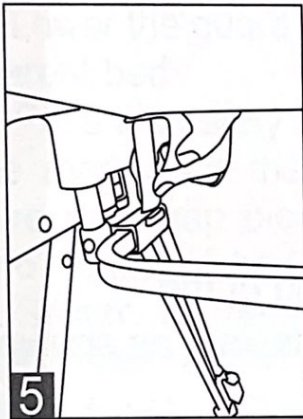


3. Assembly the storage bag as shown in figure 3. Insert the storage bag supporting tube into the plastic joint until you heard a "click" sound.

How to assembly the crib?



4. Place the mattress on the bassinet and ensure it is fitted securely as shown in figure 4.

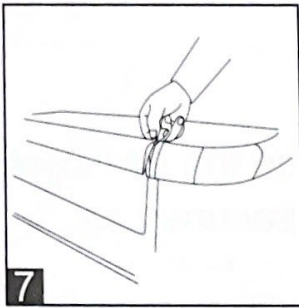


5. Stick the velcro goes through the holeas shown in figure 5.

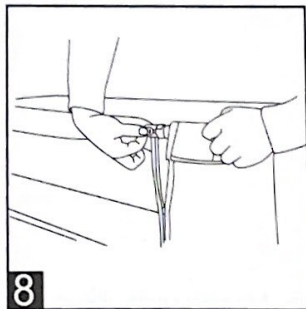


6. The bassinet is now fully installed as shown in figure 6.

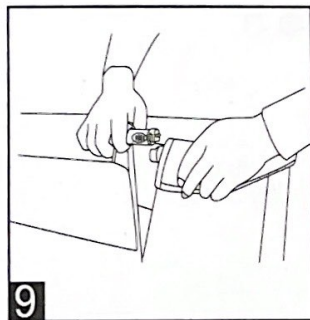
How to use drop side?



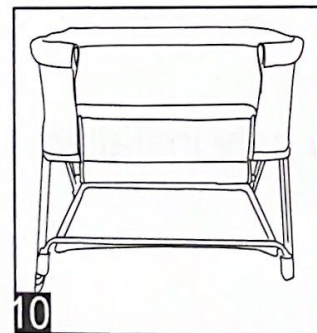
1. Unsnap the button, unzip the zipper on both sides of the guard rail as shown in figure 7.



2. Push both locking mechanism inwards & lift upwards the guard rail slightly as shown in figure 8.



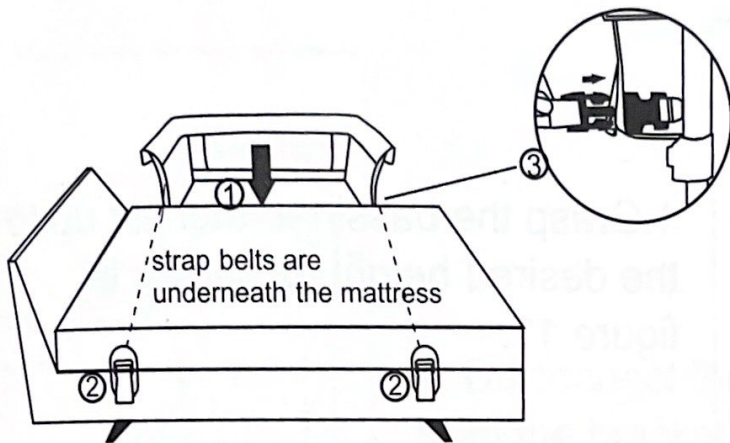
3. Disconnect both end of the guard rail from the bassinet as shown in figure 9.



4. The drop side co-sleeper is ready for your kid-- as shown in figure 10.

DANGER! Always completely raise the drop side when not attached to the adult s bed.

How to use drop side?



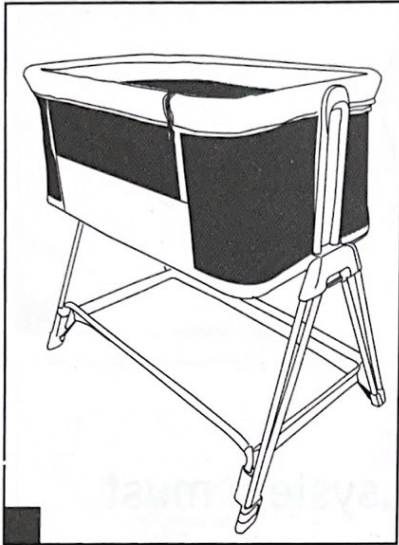
WARNING : The attachment system must ALWAYS be used in beside sleeper mode.

1. Lower the guard rail, align the crib directly next to the parent bed.
 2. Pass the safety strap (attachment system) underneath the mattress of the bed and around the bed frame, make sure the strap pieces are set upright between the mattress and edge of bed as shown in figure 2.
 3. Secure another end of safety strap male buckle by connecting the female buckle, then tighten the strap belt.
- Make sure mattress, co-sleeper and strap belt piece aligned.

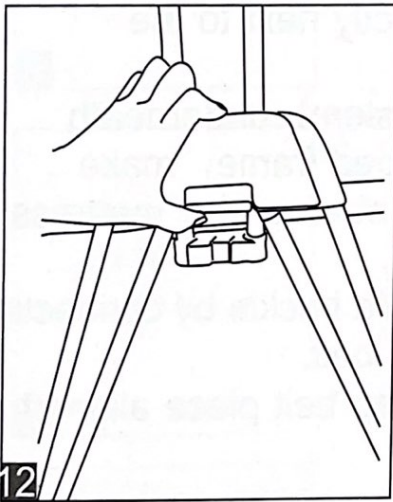
WARNING



How to adjust the height?



1. Grasp the bassinet then lift up to the desired height as shown in figure 11.

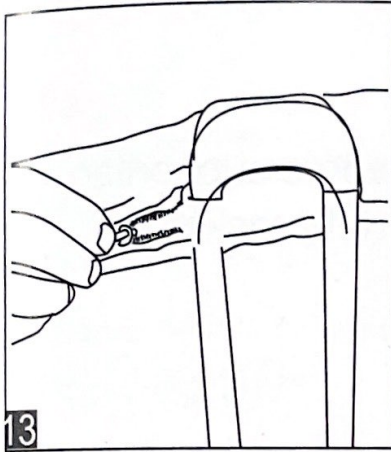


2. Grasp the plastic height adjustable handle on both bracket down to the desired height as shown in figure 12.

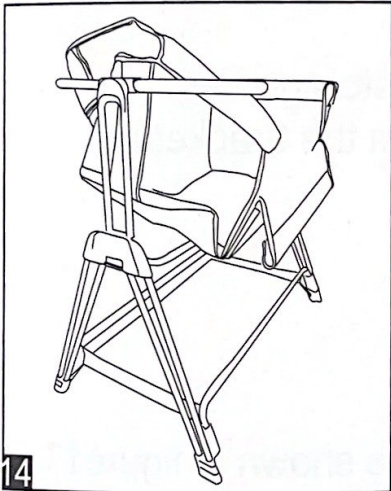
Warning:

When adjust the height position, make sure the angle of the inclination of crib base and to end (head to feet) shall not be greater than 10. Or the difference between left and right gears of the height shall not be greater than 2.

How to take off the bassinet cover?

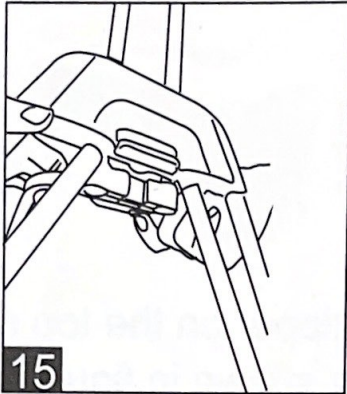


1. Disconnect the zipper on the top rail from the bracket as shown in figure 13.

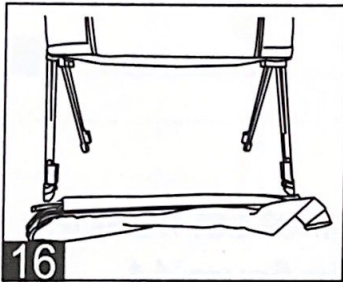


2. Take off the bassinet set from the bracket as shown in figure 14.

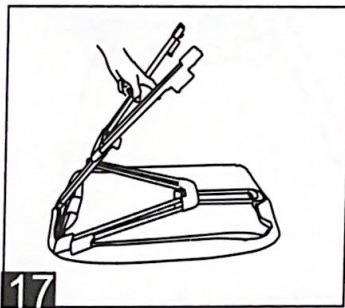
How to fold the baby crib?



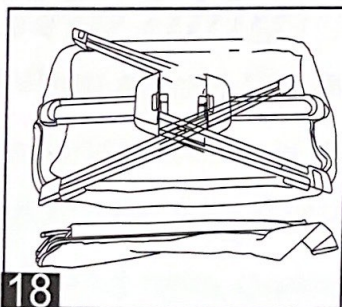
1. Remove the transverse supporting tube from the bassinet bracket as shown in figure 15.



2. Disassemble both storage bag supporting tubes from the bracket as shown in figure 16.



3. Fold both bracket as shown in figure 17.



4. The baby crib is folded up as shown in figure 18.

Cleaning & Maintenance

Frame:

Wipe the metal frame with soft, clean cloth and mild soap

Mattress:

Remove from mattress foam, Soft Machine wash or hand wash with cold water, gentle cycle. No bleach, Tumble dry, Low heat.

Supplied by:

Baby factory NZ Ltd

58 Stonedon Drive, East Tamaki,

Auckland, New Zealand

www.babyfactory.co.nz

Made in China