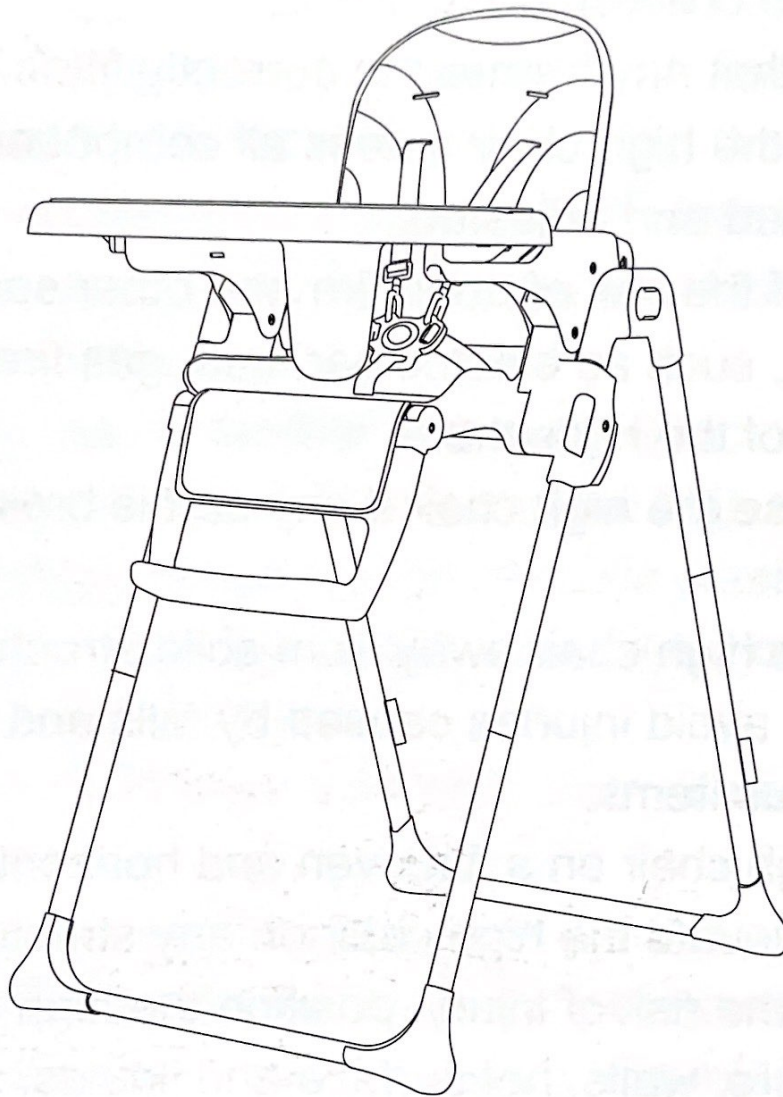


# babyco

## BABYCO DINER HIGH CHAIR



————— DIRECTIONS FOR USE —————

**IMPORTANT! READ CAREFULLY  
AND KEEP FOR FUTURE REFERENCE**

# WARNING

---

- Follow the manufacturer's Instructions.
  - Do not leave children unattended.
  - Make sure that any harness is correctly fitted.
  - Do not use the high chair unless all components are correctly fitted and adjusted.
  - Be aware of the risk of open fire and other sources of strong heat, such as electric bar fires, gas fires etc. in the vicinity of the high chair.
  - Do not to use the high chair if any part is broken, torn or missing.
  - Position the high chair away from solid structures and benches to avoid injuries caused by falls and by access to dangerous items.
  - Use the high chair on a flat, even and horizontal floor and Do not to elevate the high chair on any structure or table.
  - To reduce the risk of injury, position the high chair away from furniture, walls, hot surface and liquids, window covering cords, and electrical cords and position the high chair away from furniture when the chair is not being used at a table with a tray removed.
- Prevent serious injury or death from falls or sliding out.



- Always use the restraint system.
- The child should be secured in the high chair at all times by the restraining system, either in the reclining or upright position. The tray is not designed to hold the child in the chair. It is recommended that the high chair be used in the upright position only by children capable of sitting upright unassisted.
- Be sure the user is familiar with the product instructions, Do not use force to unfold and fold the high chair.
- To avoid danger of suffocation, remove plastic cover before using. This cover shall be destroyed or kept away from babies and children.
- Falling hazard: Prevent your child from climbing on the product.
- Be aware of the risk of tilting when your child can push its feet against a table or any other structure.
- Keep children away when unfolding and folding the product to avoid injury.
- The product is intended for children able to sit up unaided and up to 3 years or a maximum weight of 15 kg.

## Maintenance

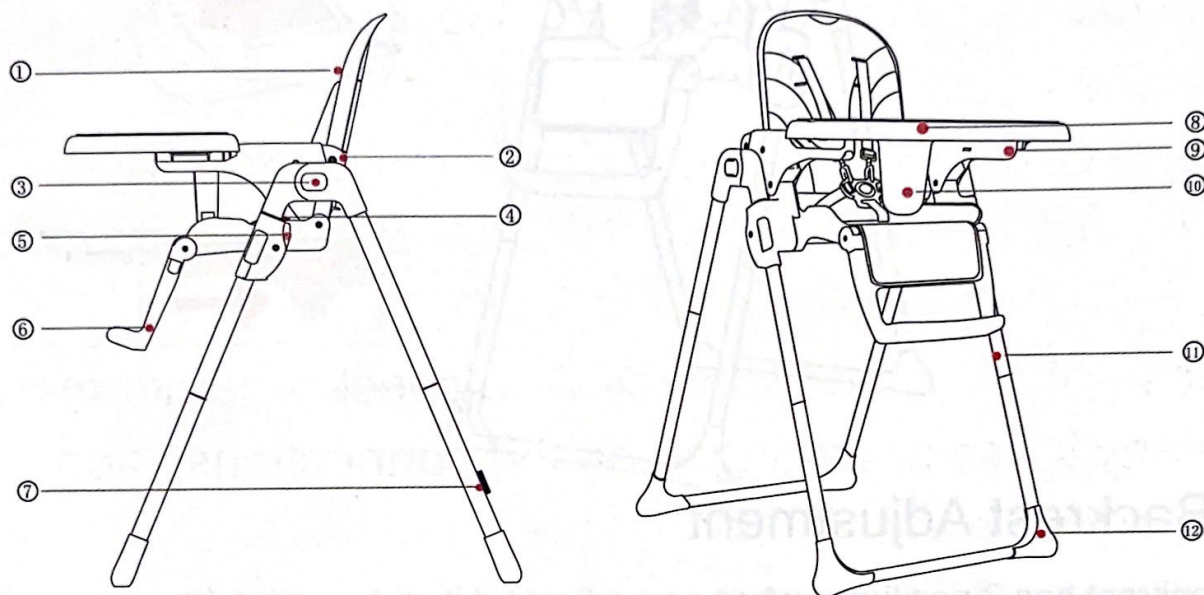
1. Do not place the chair in the sun exposure for a long time.
2. The cushion cannot be dry-cleaned, nor to dry by machine, nor iron.
3. Please Clean the seat cushion: Remove the seat cover, with a mild detergent to clean and maintain dry naturally.
4. Please often examine the chair to check whether there are any loose or damaged on the connections, stop using it once any damage.
5. Please carefully follow the instruction manual.

### 1. Basic Info

Babyco diner Baby Highchair				
Model	G.W	N.W	Carton Size	Standard
C1	7.1 KG	6.25KG	55*20*48 CM	EN14988:2017 +A1:2020



## 2.Parts



① Seat

② Backrest button

③ Fold button

④ Seat fold button

⑤ Height Adjust Button

⑥ Footrest

⑦ Hook

⑧ Upper tray

⑨ Armrest

⑩ T-bar

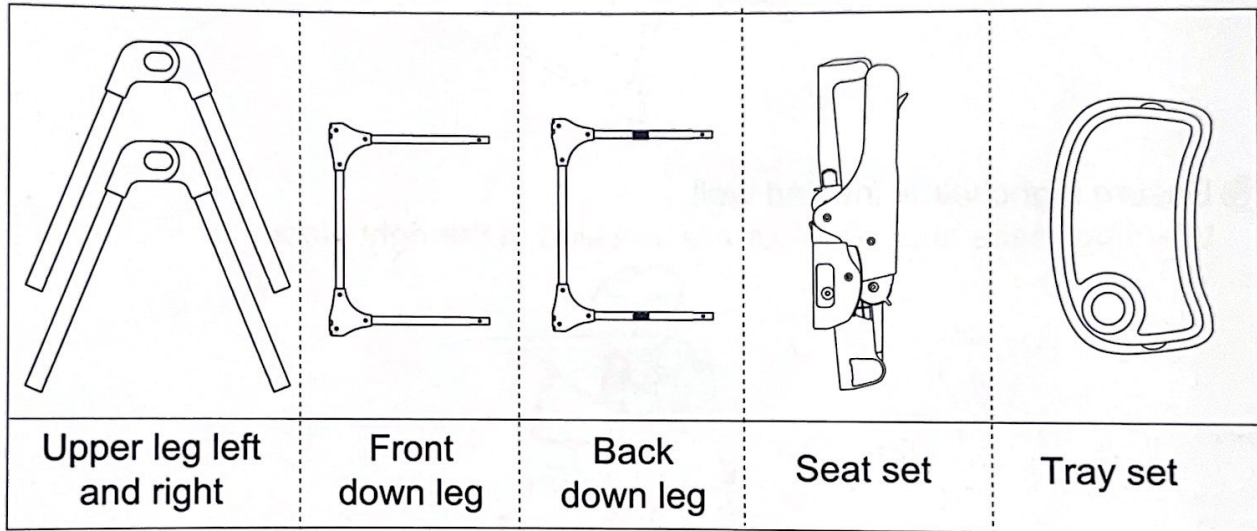
⑪ Tube leg

⑫ Foot pad

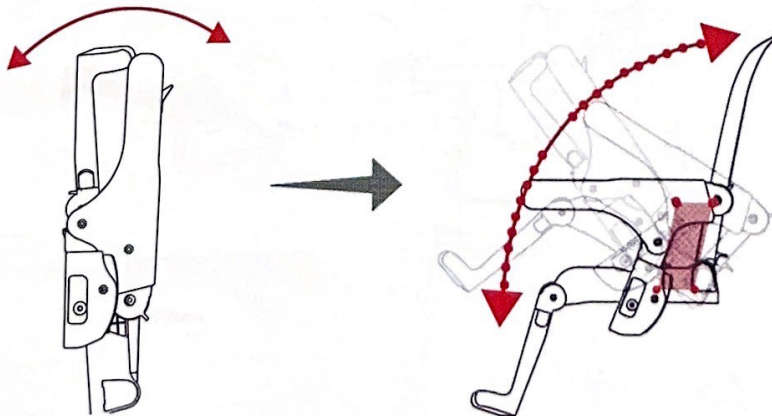
### 3. Install & Fold

#### (1) Install

1. Put below parts from carton: upper leg\*2、 down legs\*2、 seat set、 tray set

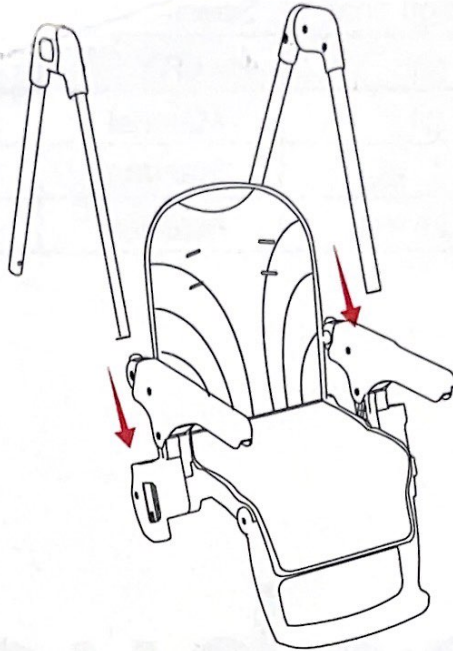


2. ① Open the seat as pictures

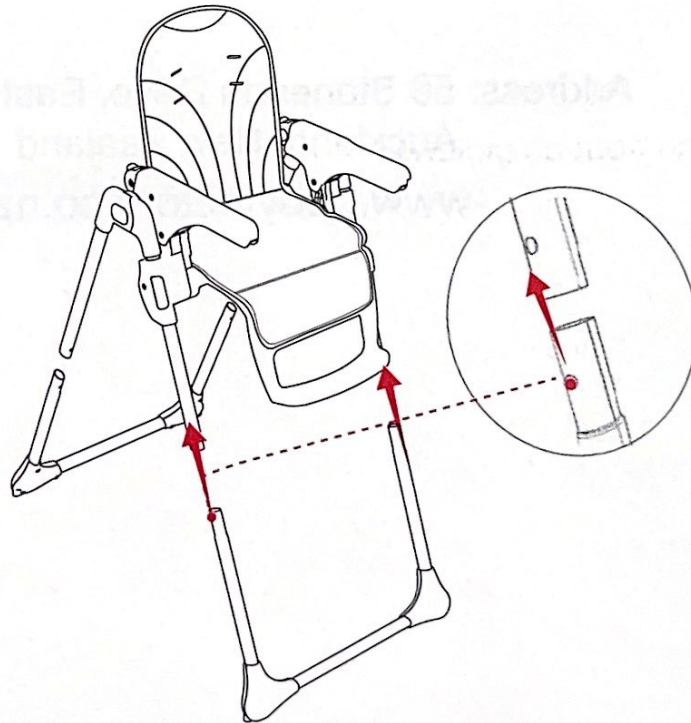




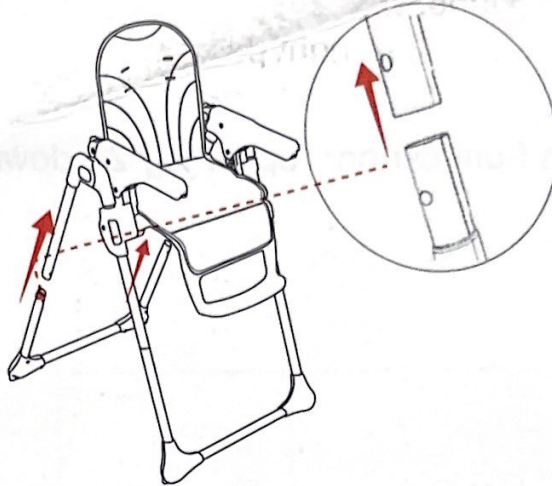
- ② Insert 2 parts legs into the hole  
(make sure the leg fold button is outward)



- ③ Insert down legs into upper legs until hear click.  
Pls distinguish front legs and back legs.  
**Warning: front legs without hook.**

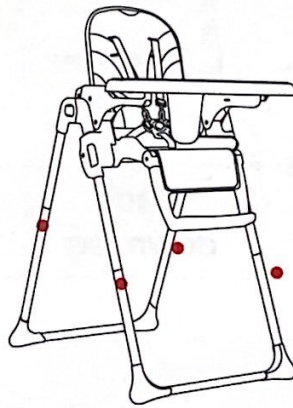


④ Insert back legs into upper legs. Pls note back legs with hook



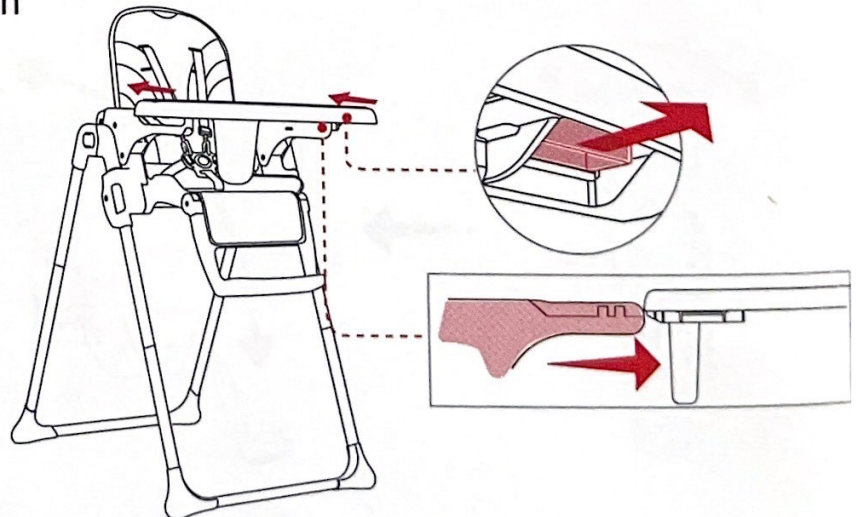
⑤ Ensure highchair is installed well.

Warning: make sure all joints are installed in the right place.



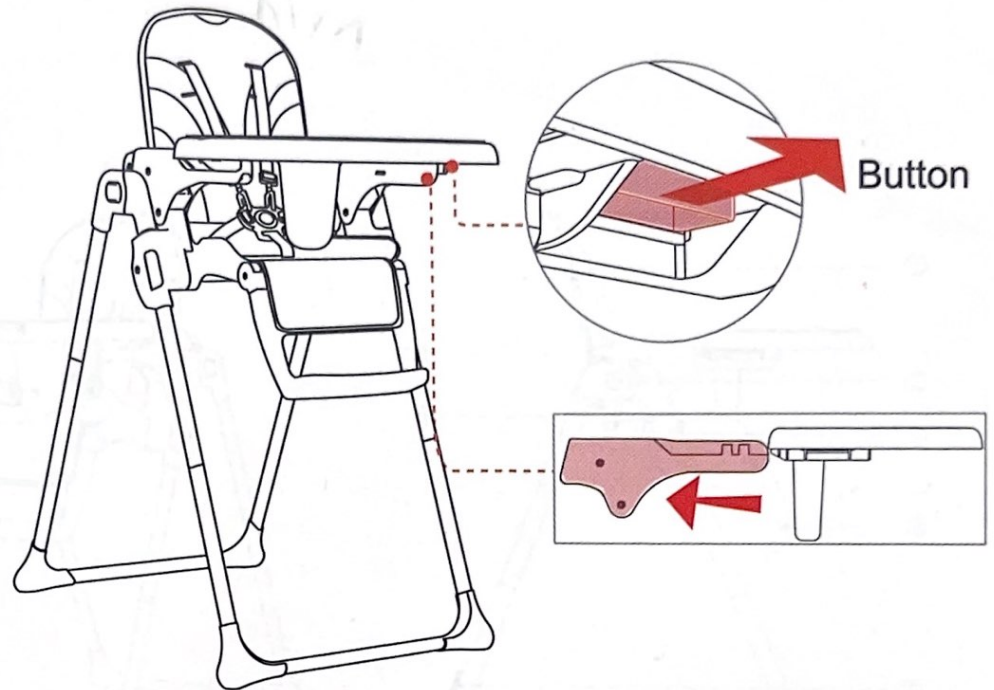
## (2) Tray Adjustment

1. Press both buttons at the same time, then install tray along handle. Until lock in the right position



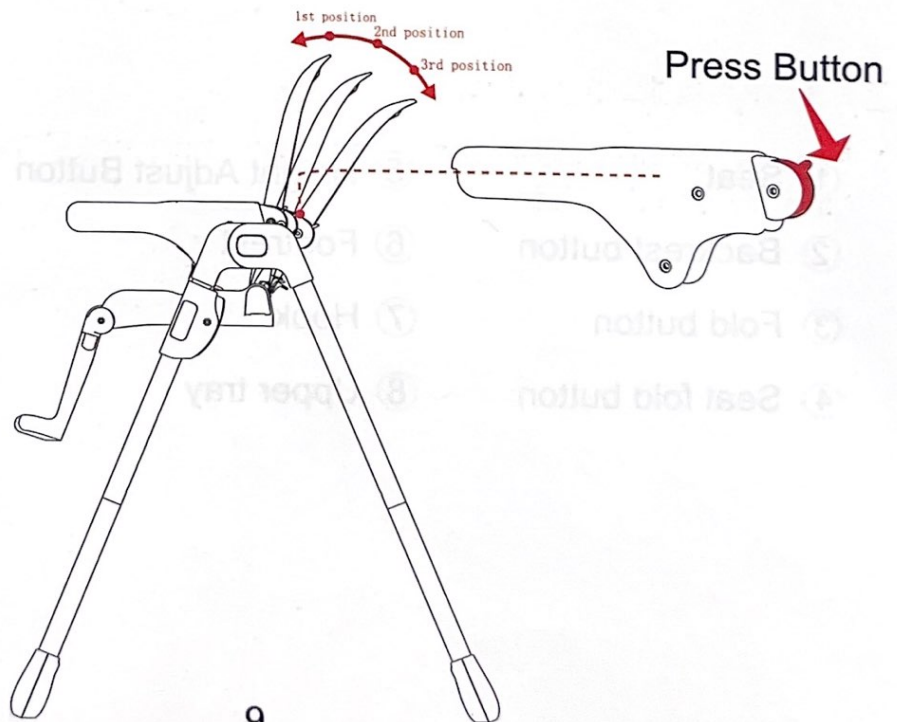


2. Tray has 2 positions. when you adjust tray, press both sides buttons together to pull to right position.



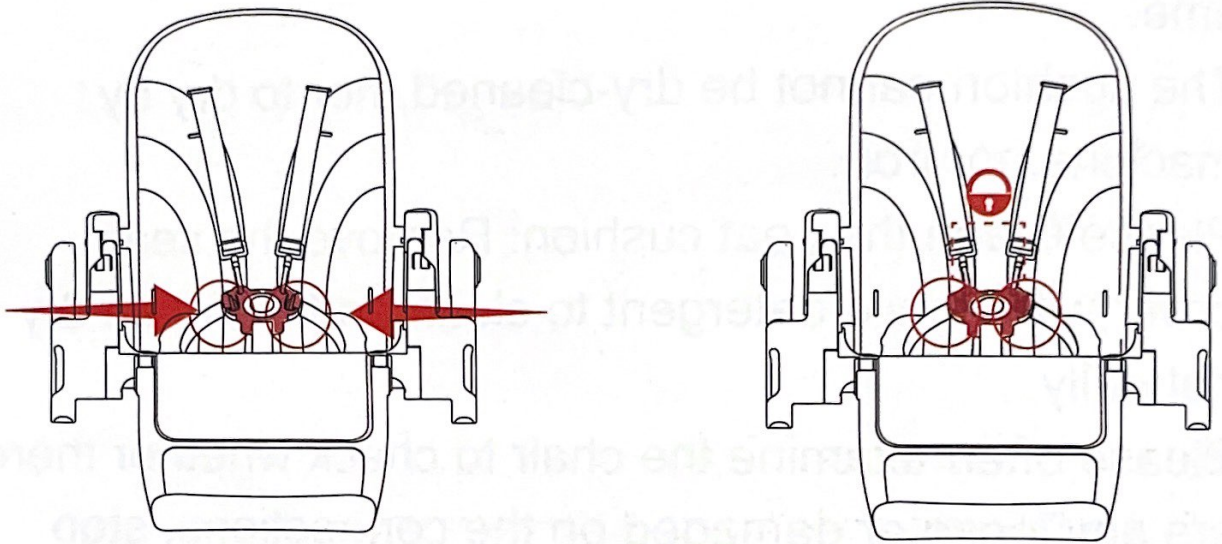
### (3) Backrest Adjustment

1. Backrest has 3 positions, when you adjust backrest, press both sides buttons together.

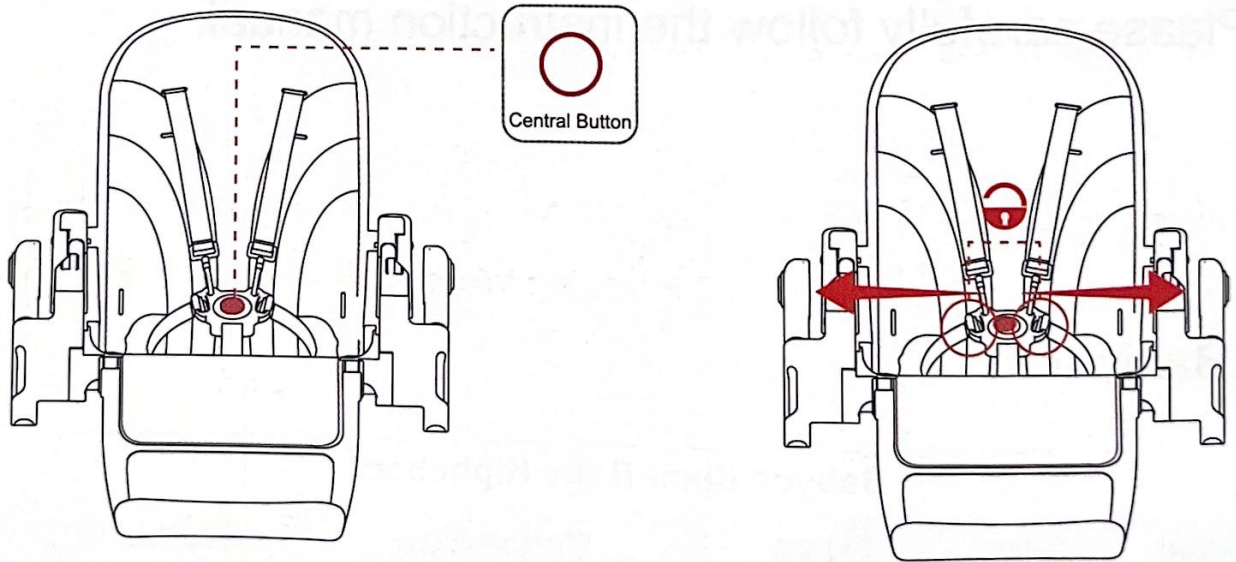


## (4) Safety Adjustment

1. Insert both waist belts into central buckle until hear click(See Pic4-2)  
Press central button, unfasten safety belt(See Pic 4-3)



Pic4-2



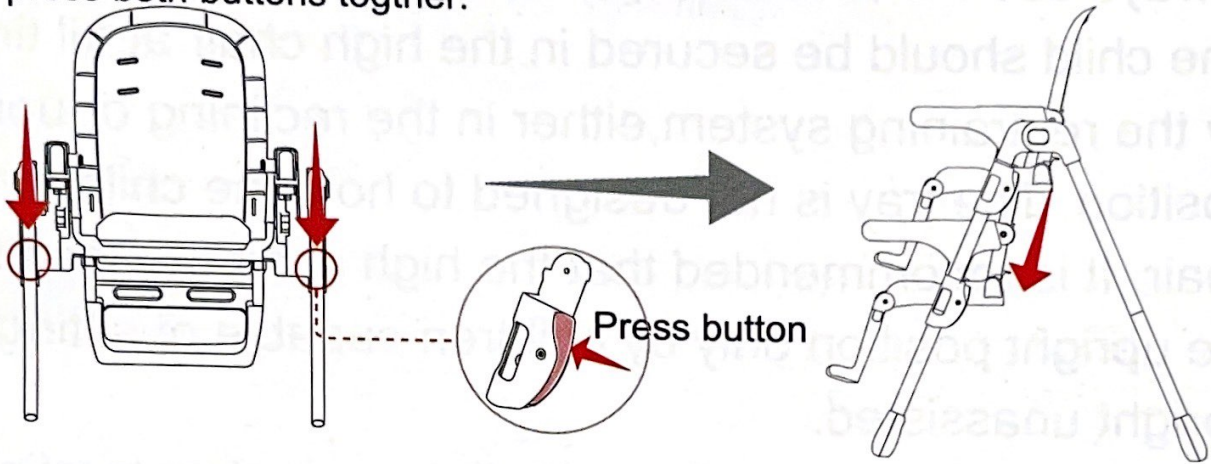
Pic4-3

**Warning: when using baby highchair, must fasten safety belt.**



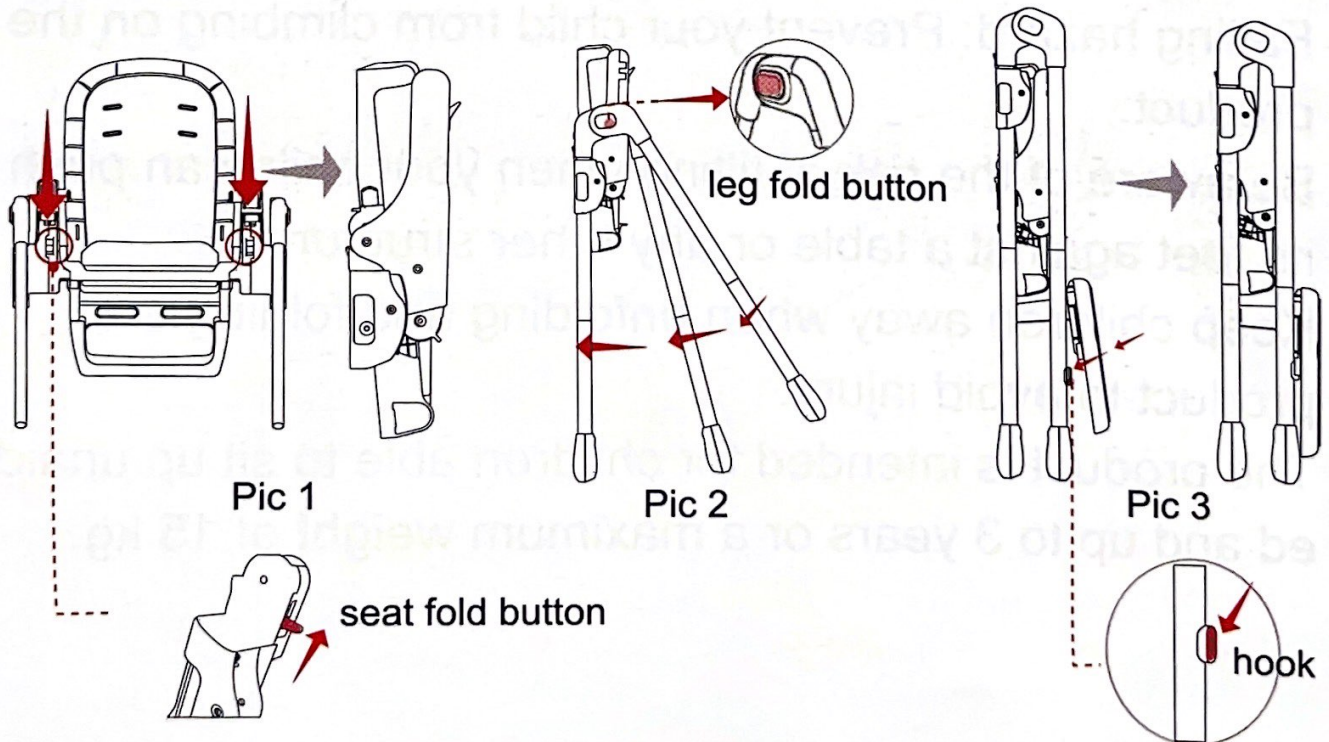
## (5) Height Adjustment

1. It has 6 positions of height, when you adjust different positions, press both buttons together.



## (6) Baby Highchair Fold

1. First, pull up seat fold button at the same time until seat is fold totally (see pic 1),
2. Press both sides legs fold buttons(see pic 2)
3. Hang tray on the back legs' hooks (see pic 3)



Description	Baby high chair	Specification	74*54*100cm
Item No.	C1	QTY	1 SET
Model No.	C1	Material	AL,PU,PP
G.W.	7.1 KG	Standard	EN14988:2017+A1:2020
N.W.	6.25 KG	Available	6-36 months

# **babyco**

Address: 58 Stonedon Drive, East Tamaki,  
Auckland, New Zealand  
[www.babyfactory.co.nz](http://www.babyfactory.co.nz)